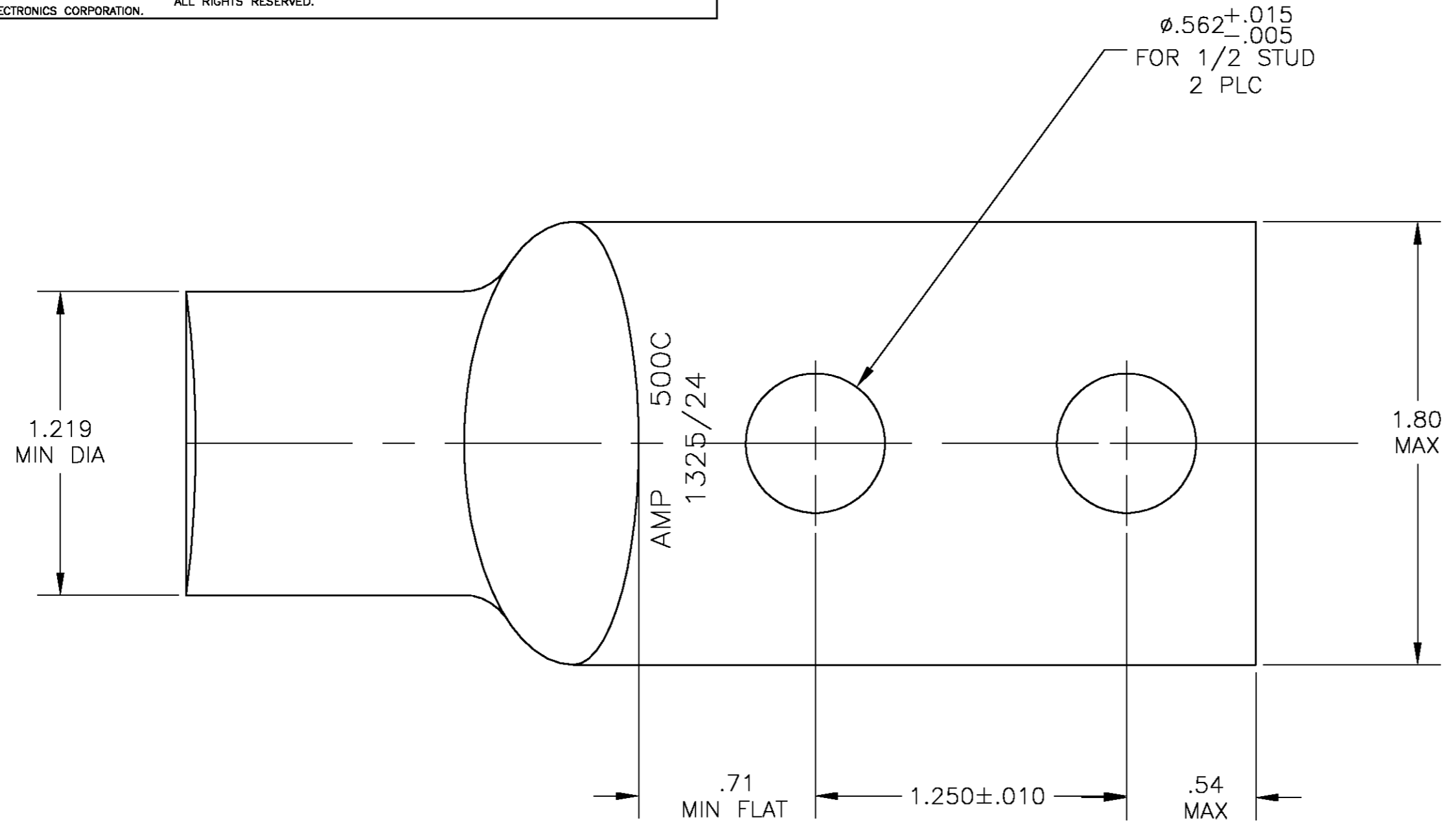
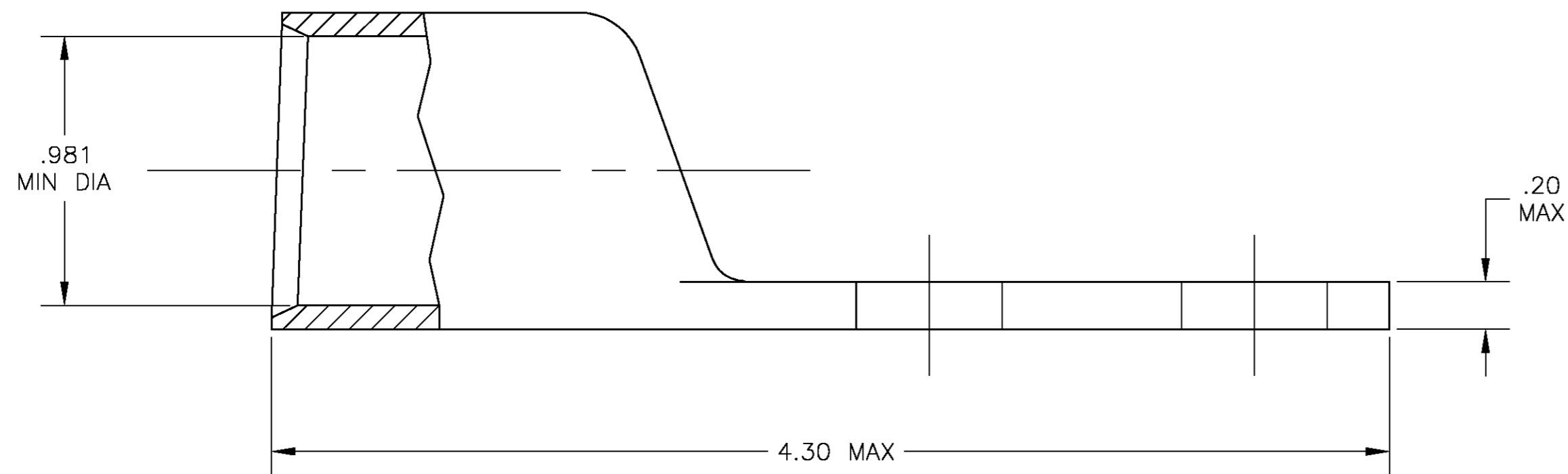


THIS DRAWING IS UNPUBLISHED. RELEASED FOR PUBLICATION
 © COPYRIGHT BY TYCO ELECTRONICS CORPORATION. ALL RIGHTS RESERVED.

LOC	DIST	REVISIONS					
		P	LTR	DESCRIPTION	DATE	DWN	APVD
G	10	B		REV PER 0G3A-0129-04	23FEB04	JR	MS



- 1 CIRCULAR MIL AREA RANGE: 450-550 MCM
- 2 COPPER PER ASTM B-75, ANNEALED
- 3 TIN PLATE .000150 MIN THK PER ASTM B-545
- 4 PRE-PRODUCTION - FASR REQUIRED



4 696683-1
AMP
PART NUMBER

THIS DRAWING IS A CONTROLLED DOCUMENT.		DWN	jr ruth	15JAN04	 Tyco Electronics Corporation Harrisburg, Pa, 17105-3608
DIMENSIONS: INCHES		CHK	MJ SPICER	15JAN04	
TOLERANCES UNLESS OTHERWISE SPECIFIED:		APVD	MJ SPICER	15JAN04	
0 PLC ± - 1 PLC ± - 2 PLC ± .02 3 PLC ± - 4 PLC ± - ANGLES ± -		PRODUCT SPEC	108-30200		
MATERIAL	- 2	FINISH	3	WEIGHT	-
CUSTOMER DRAWING		SCALE	2:1		SHEET 1 OF 1
		SIZE	A2 00779		DRAWING NO
		C=696683		RESTRICTED TO	-
		REV B			

696683