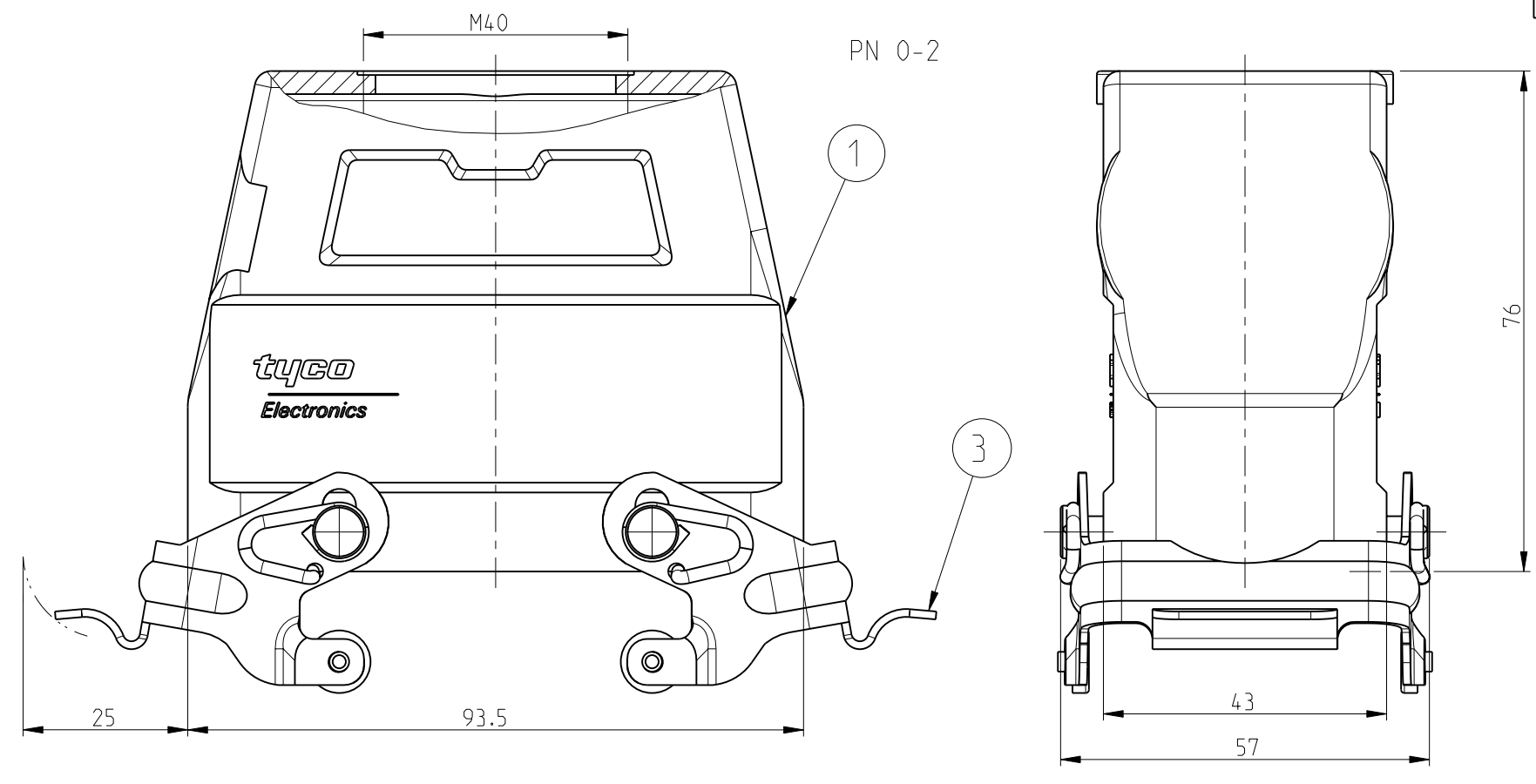


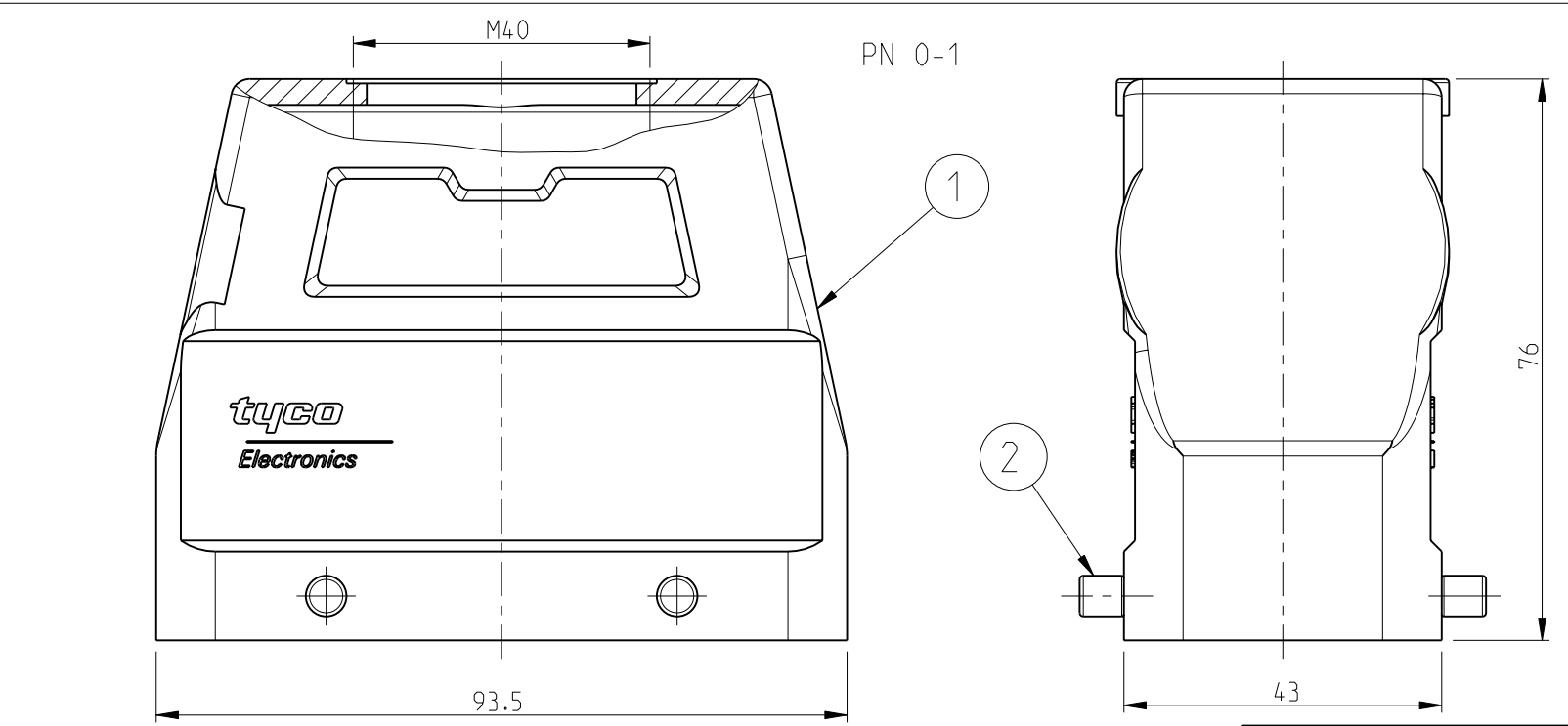
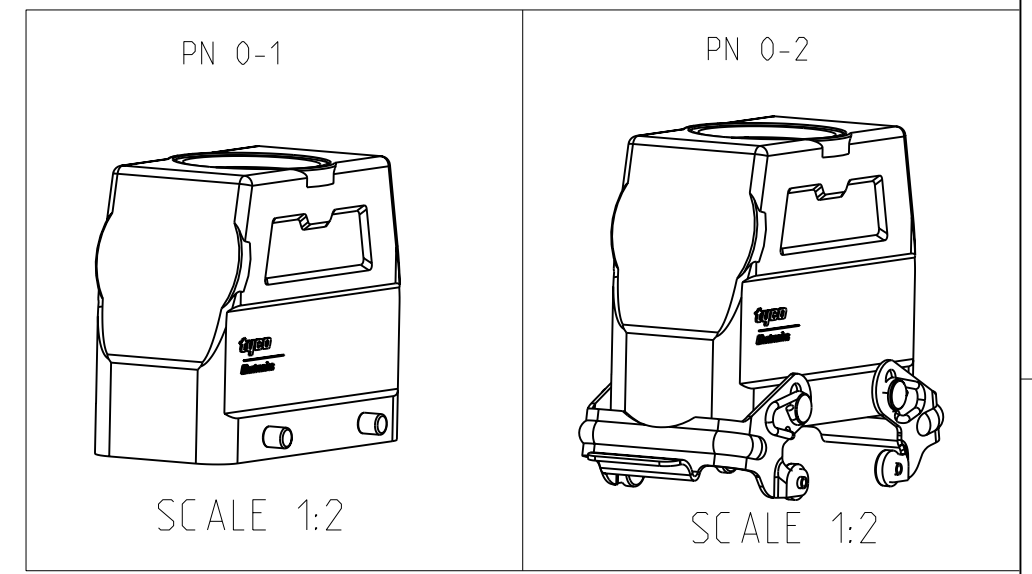
THIS DRAWING IS UNPUBLISHED. RELEASED FOR PUBLICATION 1997
 © COPYRIGHT 1997 BY TYCO ELECTRONICS CORPORATION. ALL RIGHTS RESERVED.

LOC	DIST	REVISIONS				
P	LTR	DESCRIPTION	DATE	DWN	APVD	
A1	-					
	A3	Released as per ECR-07-012890	12-06-07	SK	TS	



NOTES

- 1 Material:Housing: aluminium diecasting alloy
- 2 Surface:- Powder varnish grey
- 3 Varnish on the inside not necessarily
- 4 Packaging quantity: 5 pieces



QTY	DESCRIPTION	MATERIAL	SURFACE	COLOR	ITEM NO	REMARKS	
2	VS-Side clip	Steel	Zinc plated	Blue	3		
4	VS-Clip bolt	Steel	Zinc plated	Blue	2		
1	1 HD Hood	Aluminium	-	Grey	1		
0-2	0-1	DESCRIPTION	MATERIAL	SURFACE	COLOR	ITEM NO	REMARKS
ORDERING TEXT							
HD.40.STO.1.M40.G							
HD.40.STO-VS.1.M40.G							

THIS DRAWING IS A CONTROLLED DOCUMENT FOR TYCO ELECTRONICS CORPORATION IT IS SUBJECT TO CHANGE AND THE CONTROLLING ENGINEERING ORGANIZATION SHOULD BE CONTACTED FOR THE LATEST REVISION.

DIMENSIONS:	TOLERANCES UNLESS OTHERWISE SPECIFIED:
mm	n-ISO 8015: ±
	n-ISO 2768-mH-E: ±
	DIN 16901-120: ±
	0 PLC ±
	1 PLC ±
	2 PLC ±
	3 PLC ±
	4 PLC ±
	ANGLES ±
MATERIAL	FINISH

DWN	Schneider	18.07.03		Tyco Electronics, AMP GmbH	
CHK	Schweiger	18.07.03		D-53819, Neunkirchen, Germany	
APVD	-	-	NAME	HOOD	
PRODUCT SPEC	-	-	HD.40.STO.1.M40.G		
APPLICATION SPEC	-	-	SIZE	CAGE CODE	DRAWING NO
WEIGHT	-	-	A3	00779	©=1102920
CUSTOMER DRAWING			SCALE	SHEET	REV
			1:1	1 OF 1	A3