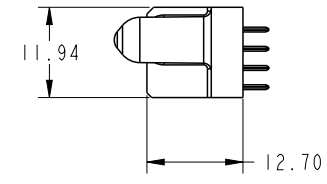
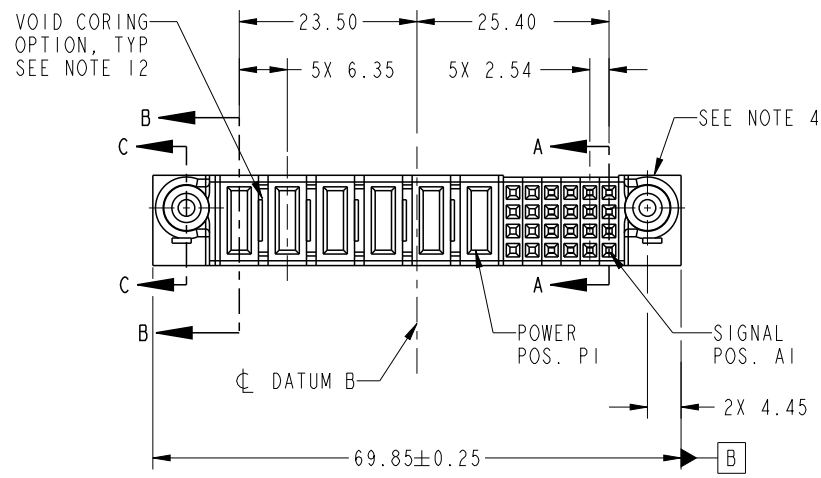


PRODUCT NO.	ROWS	POWER						SIGNAL					E1				
		E2	P6	P5	P4	P3	P2	P1	6	5	4	3		2	1		
51940-407-- NOTE: 3	D C B A		PA	PA	PA	PA	PA	PA	X	X	E	E	E	E	E	E	
									X	X	E	E	E	E	E	E	
									X	X	E	E	E	E	E	E	
									X	X	E	E	E	E	E	E	



CODE	DIM "M" MATING LENGTH	CONTACT TYPE
E	[N/A]	SIGNAL
PA	[1.07]	POWER
X	[N/A]	[N/A]

spec ref	SEE NOTES		dr	Guang, Shi	2011/11/15	projection 	MM ←→	size	A4	scale	1:1
tolerance std	TOLERANCES UNLESS OTHERWISE SPECIFIED		eng	Guang, Shi	2011/12/30			ecn no	-		
SEE NOTES			chr	-	-			rel level	Released		
surface	linear	0.X	±0.5		title	24S + 6P	www.fci.com	dwg no	51940-407	rev	A
		0.XX	±0.25								
		0.XXX	±0.1								
	angular	0°	±2°	cat. no.	Product - Customer Drw			sheet 1 of 4			

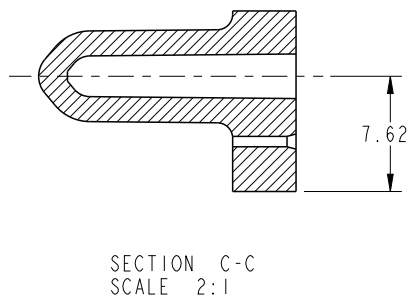
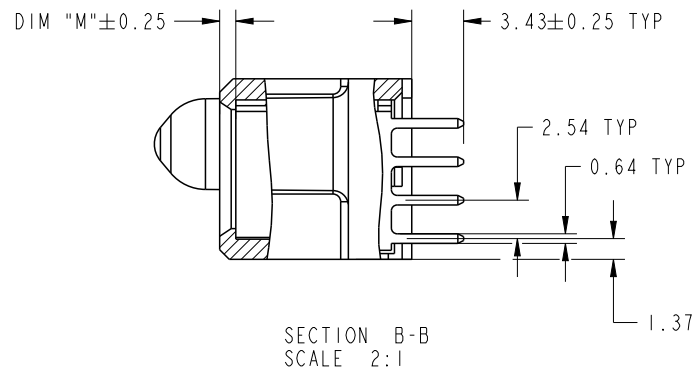
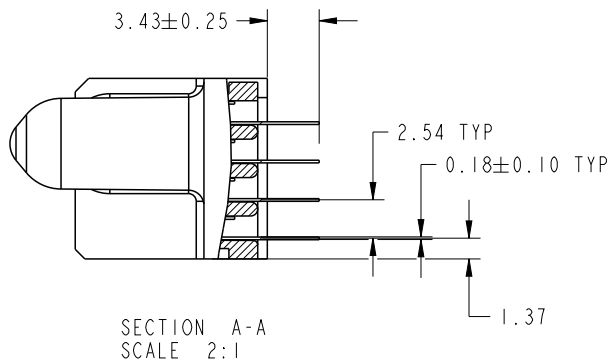
PrdrE File - REV C - 2009-06-09



Copyright FCI.

PRODUCT NUMBER

51940-407__
NOTE: 3



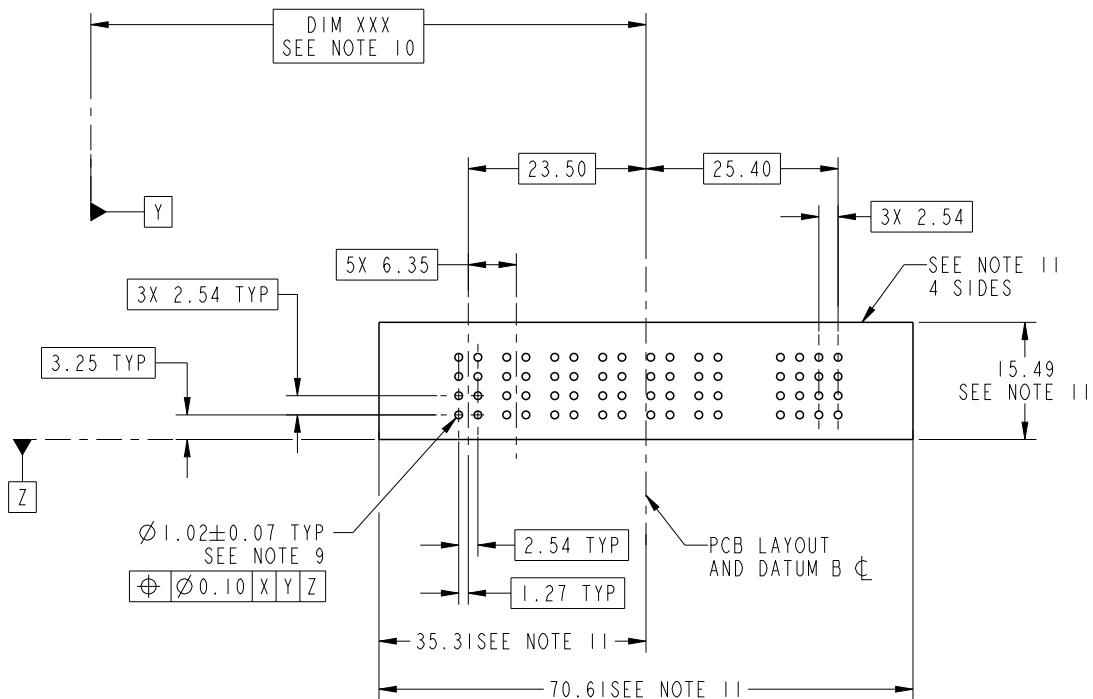
dr	Guang, Shi	2011/11/15	projection 	MM 	size	A4	scale	1:1	
eng	Guang, Shi	2011/12/30			ecn no	-			
chr	-	-			rel level	Released			
appr	Pei-Ming Zheng	-	product family	PwrBlade					
		title	24S + 6P VERTICAL STB RECEIPT		dwg no	51940-407		rev	A
www.fci.com		cat. no.	Product - Customer Drw			sheet 2 of 4			



Copyright FCI.

PRODUCT NUMBER

51940-407__
NOTE: 3



RECOMMENDED PCB LAYOUT

dr	Guang, Shi	2011/11/15	projection 	MM 	size	A4	scale	1:1
eng	Guang, Shi	2011/12/30			ecn no	-		
chr	-	-			rel level	Released		
appr	Pei-Ming Zheng	-	product family	PwrBlade				
	title	24S + 6P VERTICAL STB RECEIPT		dwg no	51940-407		rev	A
www.fci.com	cat. no.	Product - Customer Drw			sheet 3 of 4			

PRODUCT NUMBER

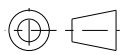
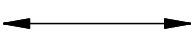

51940-407__
NOTE: 3

NOTES:

1. DIMENSIONS AND TOLERANCES ARE IN ACCORDANCE WITH ASME Y14.5M, 1994 UNLESS OTHERWISE SPECIFIED.

CONNECTOR NOTES:

- 2 HOUSING MATERIAL: UL 94 V-0 GLASS FILLED HIGH-TEMP THERMOPLASTIC
POWER CONTACT MATERIAL: COPPER ALLOY
SIGNAL PIN MATERIAL: COPPER ALLOY
 - 3. SEE ITEM 5 & 6 IN PRINT 10064183 FOR PLATING SPEC OF 51940-407 AND 51940-407LF RESPECTIVELY.
 - 4 MANUFACTURER'S NAME, DATE CODE AND OPTIONAL P/N TO APPEAR ON THIS SURFACE. THE P/N CAN BE OMITTED IF THERE IS NOT ENOUGH SPACE ON THIS SURFACE.
 - 5. PRODUCT SPECIFICATION GS-12-149.
APPLICATION SPECIFICATION BUS-20-067.
 - 6. PACKAGED IN TRAYS.
- PCB NOTES:
- 7. ALL HOLE DIAMETERS ARE FINISHED HOLE SIZE.
 - 8 MOUNTING HOLES, WHERE APPLICABLE, ARE UNPLATED.
 - 9 $\varnothing 1.151 \pm 0.025$ DRILLED HOLES PLATED WITH
0.008 MIN SnPb OR Sn OVER 0.03
TO 0.08 Cu PLATING TO ACHIEVE
 $\varnothing 1.02 \pm 0.07$ HOLE.
 - 10 "DIM XXX" TO BE DETERMINED BY THE CUSTOMER.
 - 11 CONNECTOR KEEP-OUT ZONE.
 - 12. THE VOID CORING IN BETWEEN POWER MODULES, SIGNAL MODULES AND END MODULES ARE OPTIONAL AND THE SHAPE MAY BE DIFFERENT FOR OPTIMIZE THE MOLDING PROCESS. THE VOID CORING WILL NOT EFFECT TO PRODUCT FUNCTION.

dr	Guang, Shi	2011/11/15	projection 	MM 	size	A4	scale	1:1
eng	Guang, Shi	2011/12/30			ecn no	-		
chr	-	-			product family	PwrBlade	rel level	Released
appr	Pei-Ming Zheng	-			title 24S + 6P VERTICAL STB RECEIPT	dwg no 51940-407	rev A	
www.fci.com		cat. no.	Product - Customer Drw			sheet 4 of 4		