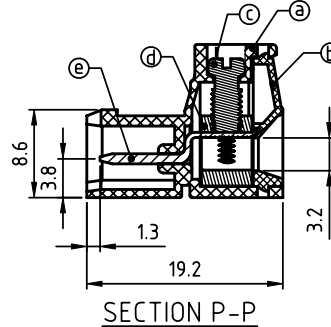
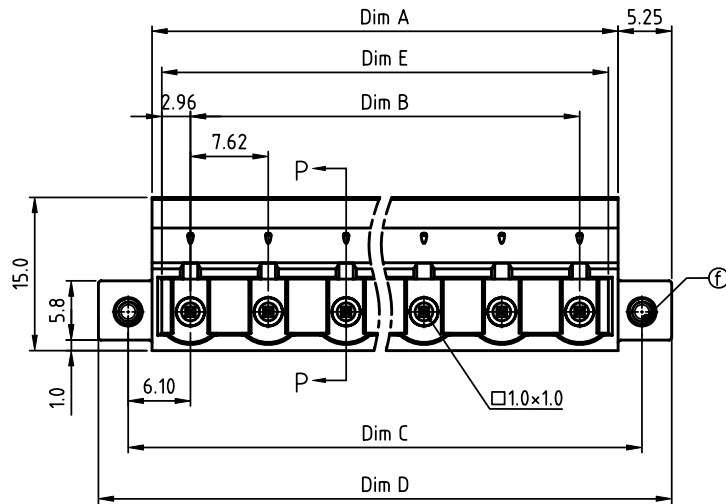
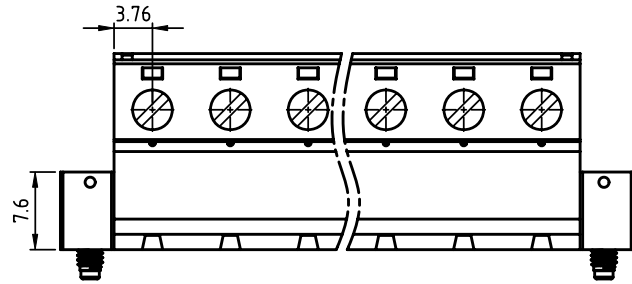


PRODUCT NUMBER	PITCH
V8xx01x200J0G	7.62mm



Material:

- Item ① Terminal (housing): Thermoplastic (UL94V-0)
- Item ② Terminal (Cover): Thermoplastic (UL94V-0)
- Item ③ Terminal screw: Steel Zinc plating "-" slot type
- Item ④ Clamp: Brass (CuZn) nickel plating
- Item ⑤ pin: Copper, Tin plated
- Item ⑥ Flange Screw: Steel Zinc plating "+/-" combination type M2.5

Electrical cULus

- Voltage rating: 300VAC
- Current rating: 20A
- Wire range:
  - Solid wire (AWG): 12-24
  - Stranded wire (AWG): 12-24
- Torque: 4 Lb-In
- Screw: M3
- Wire strip length: 7-8mm
- Withstanding Voltage: 1.6KV
- Operating temperature: -40°C to +115°C
- Safety Approval:

DIMENSION

Dim A	(N-1)X7.62+7.52
Dim B	(N-1)X7.62
Dim C	(N-1)X7.62+12.2
Dim D	(N-1)X7.62+18.02
Dim E	(N-1)X7.62+5.92

N = Number of poles

Poles	Dim A	Dim B	Dim C	Dim D	Dim E
2p-4p	±0.15	±0.15	±0.15	±0.15	+0.15 0
5p-8p	±0.25	±0.25	±0.25	±0.25	+0.25 0
9p-12p	±0.30	±0.30	±0.30	±0.30	+0.30 0
13p-16p	±0.40	±0.40	±0.40	±0.40	+0.40 0

PART NO.: V8 xx 01 x 2 00J0 G

Solid block	0	Black (RAL9005)	RoHS compliant (lead<4%) In copper Alloy
No. of poles	2	Red (RAL3001/D)	
	02	2 poles	
	03	3 poles	
...	...	5	Green (RAL6018/T)
16	16 poles	6	Blue (RAL5015/A)
		8	Grey (RAL7035/D)
		9	White (RAL1102)
		C	Green (RAL6018/U)

mat'l. code		surface ASME Y14.5 ✓	tolerance ASME Y14.5	projection 	product family TERMINAL BLOCK
ltr	ecn no	dr	date	MM ← →	title TERMINAL BLOCK PLUGGABLE PLUG, FLANGE WITH SCREW
tolerances unless otherwise specified		angles 	X.±0.5 X.X±0.3 X.XX±0.1		
dr	ENGR	chr	appd	EVIN ZHONG EVIN ZHONG HANKE FENG SHI JUN	050514 050514 050514 050514
sheet index	revision sheet	A	1		dwg no V8xx01x200J0G sheet 1 of 1 size A4 type CUSTOMER Drawing