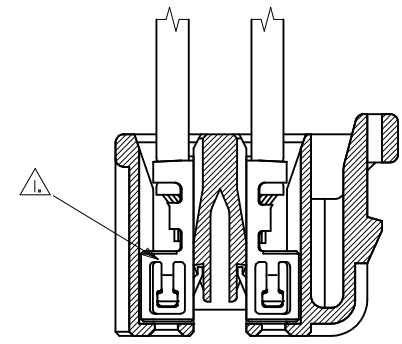


NOTES.

1. 適合ターミナル : 501193-****
APPLICABLE TERMINAL : 501193-****
2. 嵌合相手 : 501190-**** , 501571-****
MATE WITH : 501190-**** , 501571-****
3. 極数 / 2 = 偶数に適用。
APPLY FOR CIRCUIT SIZE / 2 = EVEN
4. 材料
MATERIAL
66ナイロン、ガラス無充填、UL94V-0
PA66 , GLASS FILLED 0% , UL94V-0
5. ELV 及び RoHS 適合品
ELV AND RoHS COMPLIANT.



ターミナル装着図
TERMINAL ASSEMBLY DRAWING

24	25.3	26.7	501189-501*	50
19	20.3	21.7	501189-401*	40
14	15.3	16.7	501189-301*	30
9	10.3	11.7	501189-201*	20
C	B	A	ポリ袋 POLYBAG PACKAGE オーダー番号 ORDER NO.	CKT.

REVISED EC NO: J2013-1460 DRWN: KWASHIO 2013/06/11 CHKD: KASAKAWA 2013/06/12 APPR: NUKITA 2013/06/12	GENERAL TOLERANCES (UNLESS SPECIFIED)		DIMENSION STYLE MM ONLY		SCALE 5:1	DESIGN UNITS METRIC	THIRD ANGLE PROJECTION
	10 UNDER	±0.2	DRAWN BY NYOSHIDA	DATE 2004/12/17	TITLE 1.0 WIRE TO BOARD CONN. 2-ROW RECEPTACLE HOUSING molex DOCUMENT NO. SD-501189-002 SHEET NO. 1 OF 2		
	10 OVER 30 UNDER	±0.25	CHECKED BY MYAGI	DATE 2004/12/17			
	30 OVER	±0.3	APPROVED BY ANODA	DATE 2004/12/17			
ANGULAR ±3 °		MATERIAL NO. SEE SHEET 2	SIZE A3				
DRAFT WHERE APPLICABLE MUST REMAIN WITHIN DIMENSIONS		THIS DRAWING CONTAINS INFORMATION THAT IS PROPRIETARY TO MOLEX INCORPORATED AND SHOULD NOT BE USED WITHOUT WRITTEN PERMISSION					

10 9 8 7 6 5 4 3 2 1

F

F

E

E

D

D

C

C

B

B

A

A

緑 GREEN	青 BLUE	赤 RED	黒 BLACK	白 WHITE	色 COLOR
—//—	—//—	—//—	—//—	501189-5010	50
501189-4016	501189-4014	501189-4012	501189-4011	501189-4010	40
501189-3016	501189-3014	501189-3012	501189-3011	501189-3010	30
501189-2016	501189-2014	501189-2012	501189-2011	501189-2010	20

ポリ袋 POLYBAG PACKAGE

オーダー番号 ORDER NO.

CKT.

SEE SHEET 1 EC NO.: J2013-1460 DRWN: KWASHIO 2013/06/11 CHKD: KASAKAWA 2013/06/12 APPR: NUKITA 2013/06/12	GENERAL TOLERANCES (UNLESS SPECIFIED)		DIMENSION STYLE MM ONLY		SCALE 5:1	DESIGN UNITS METRIC	THIRD ANGLE PROJECTION
	10 UNDER	±0.2	DRAWN BY NYOSHIDA	DATE 2004/12/17	TITLE 1.0 WIRE TO BOARD CONN. 2-ROW RECEPTACLE HOUSING		
	10 OVER 30 UNDER	±0.25	CHECKED BY MYAGI	DATE 2004/12/17			
	30 OVER	±0.3	APPROVED BY ANODA	DATE 2004/12/17			
ANGULAR ±3 °		MATERIAL NO. SEE CHART		DOCUMENT NO. SD-501189-002		SHEET NO. 2 OF 2	
DRAFT WHERE APPLICABLE MUST REMAIN WITHIN DIMENSIONS		THIS DRAWING CONTAINS INFORMATION THAT IS PROPRIETARY TO MOLEX INCORPORATED AND SHOULD NOT BE USED WITHOUT WRITTEN PERMISSION					

9 8 7 6 5 4 3 2