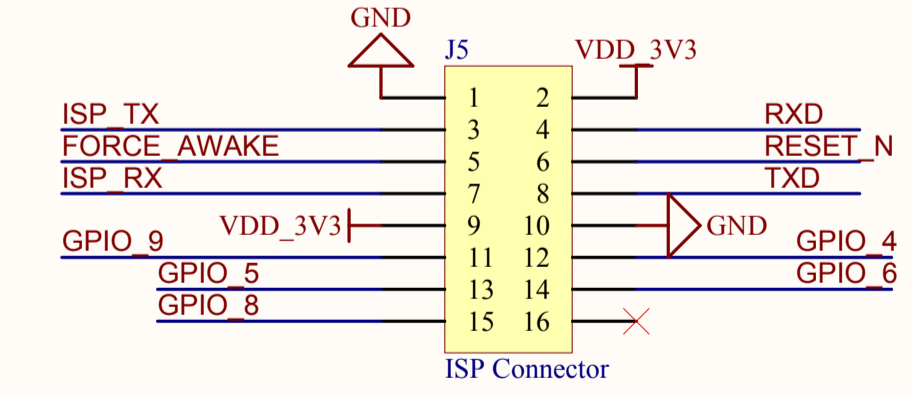
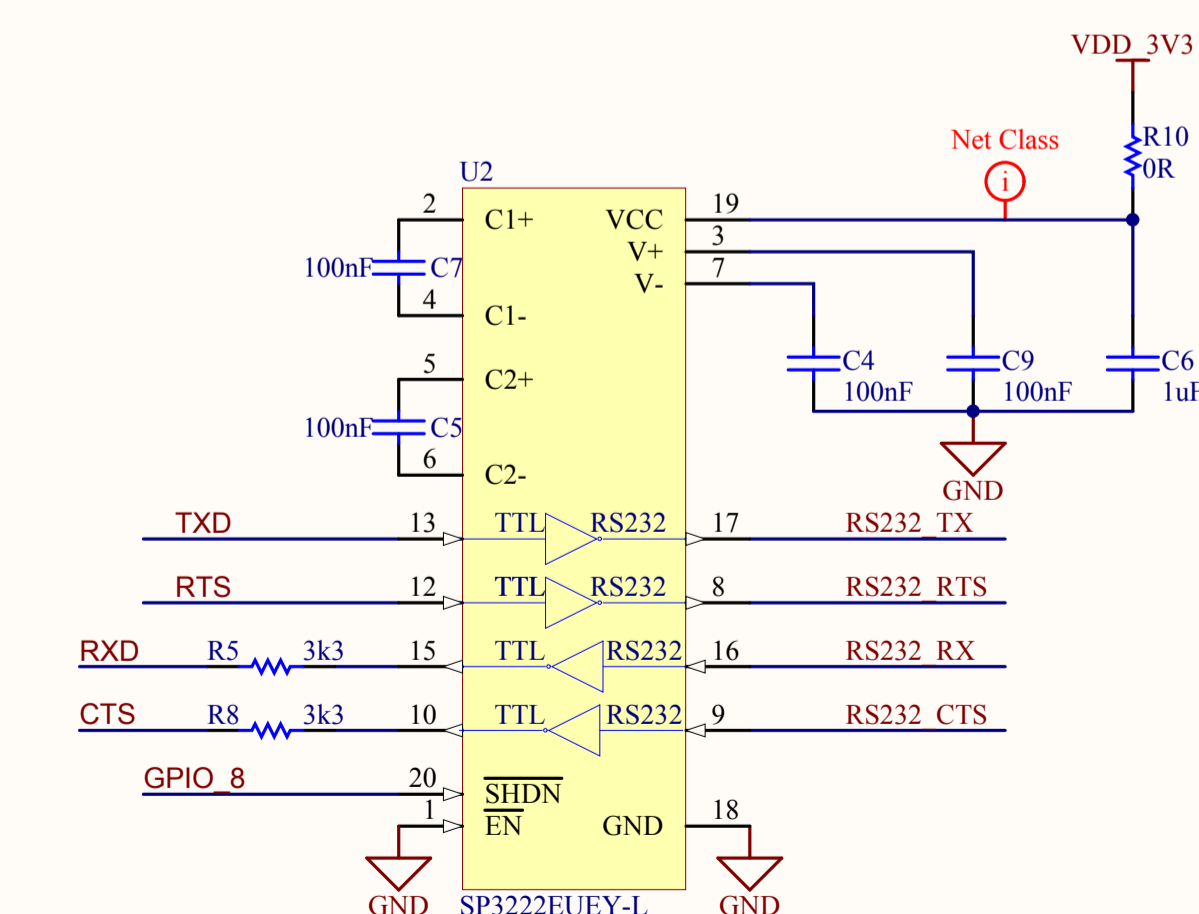
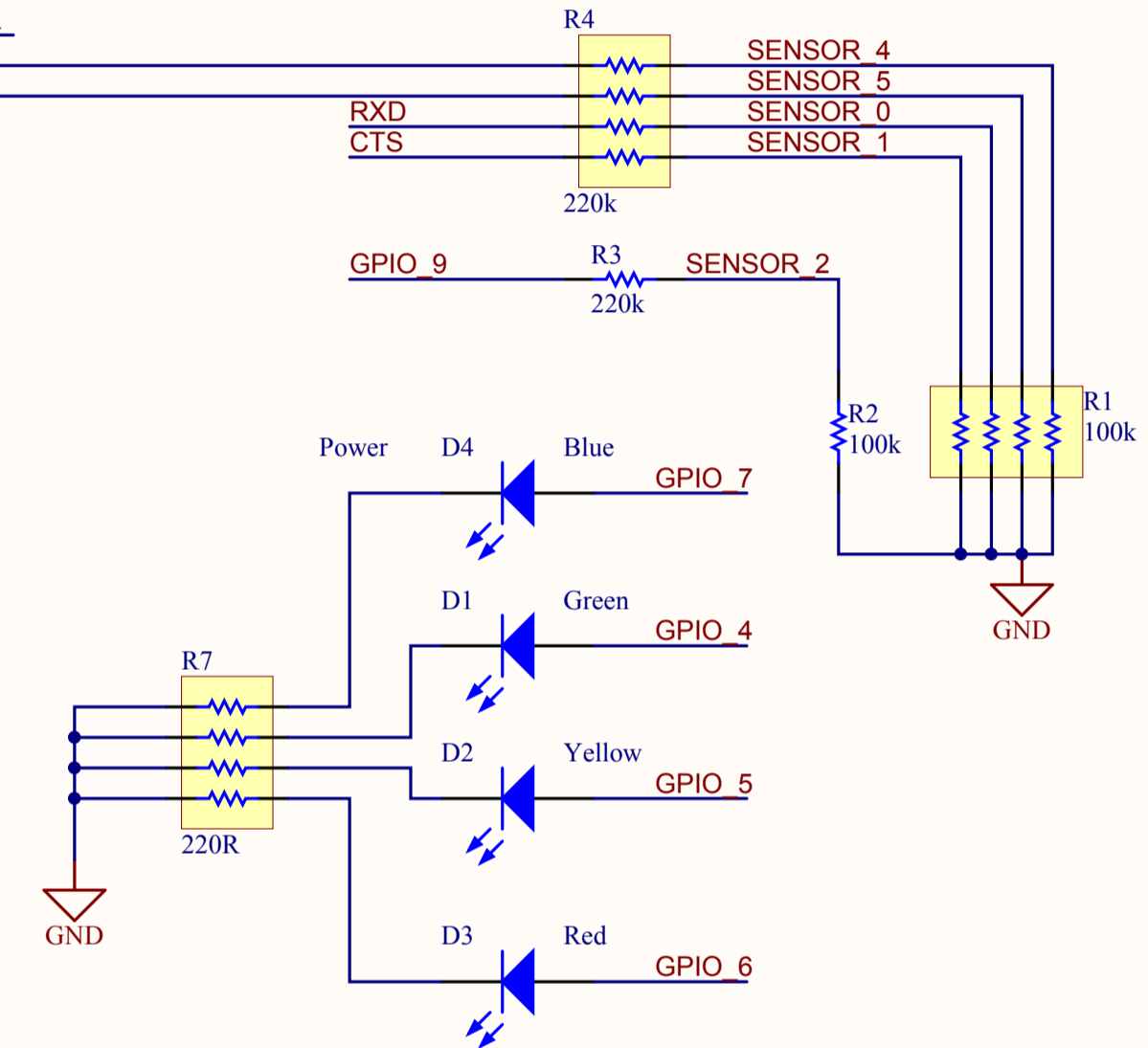
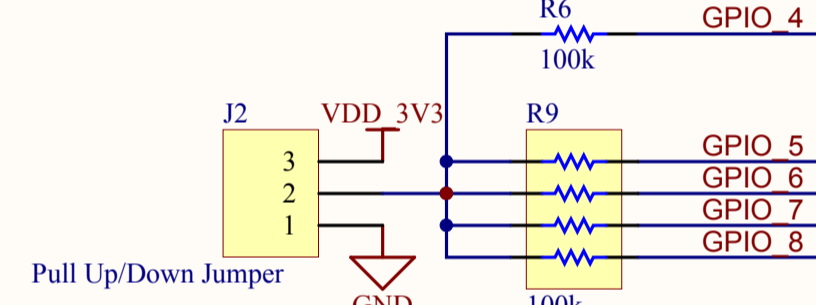
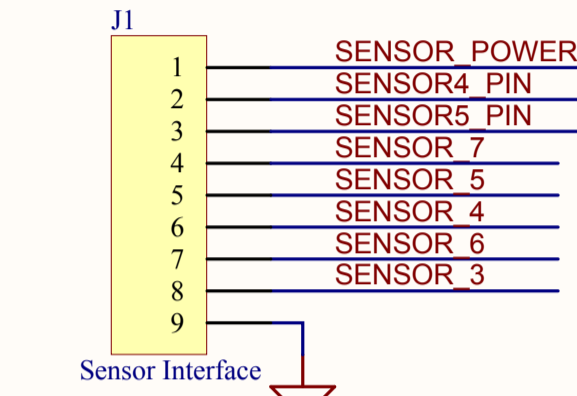
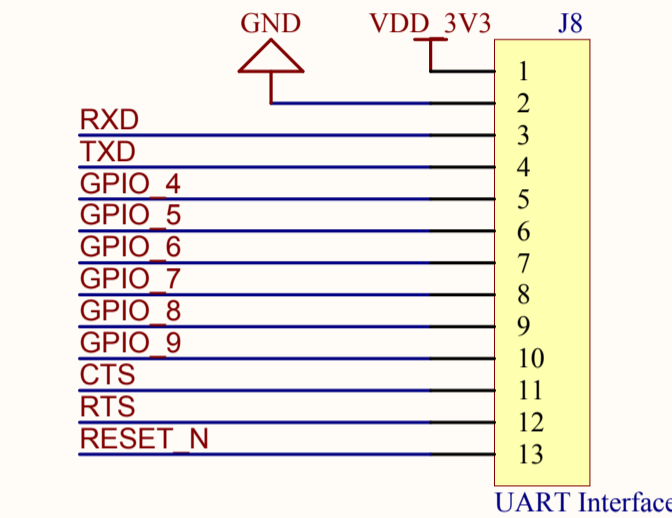
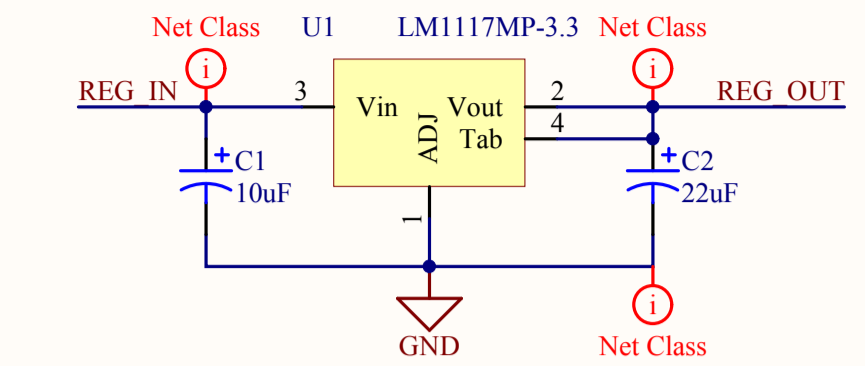
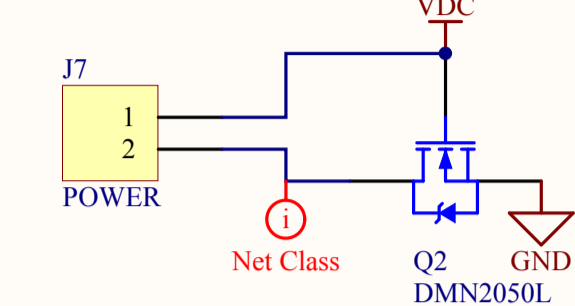
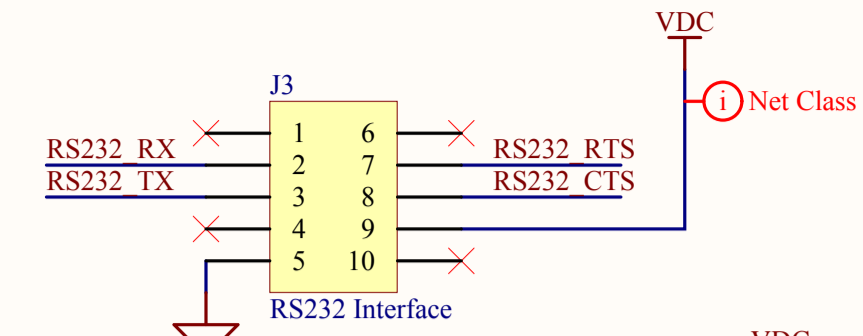
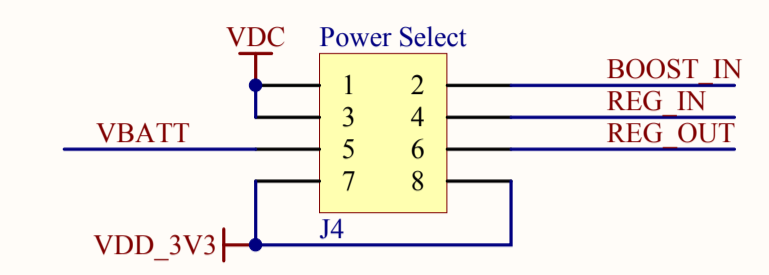
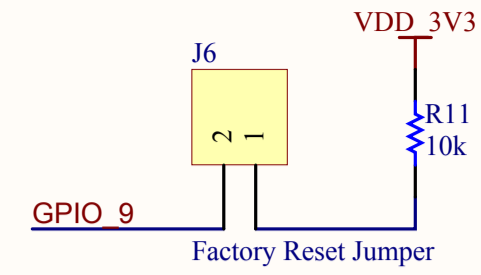
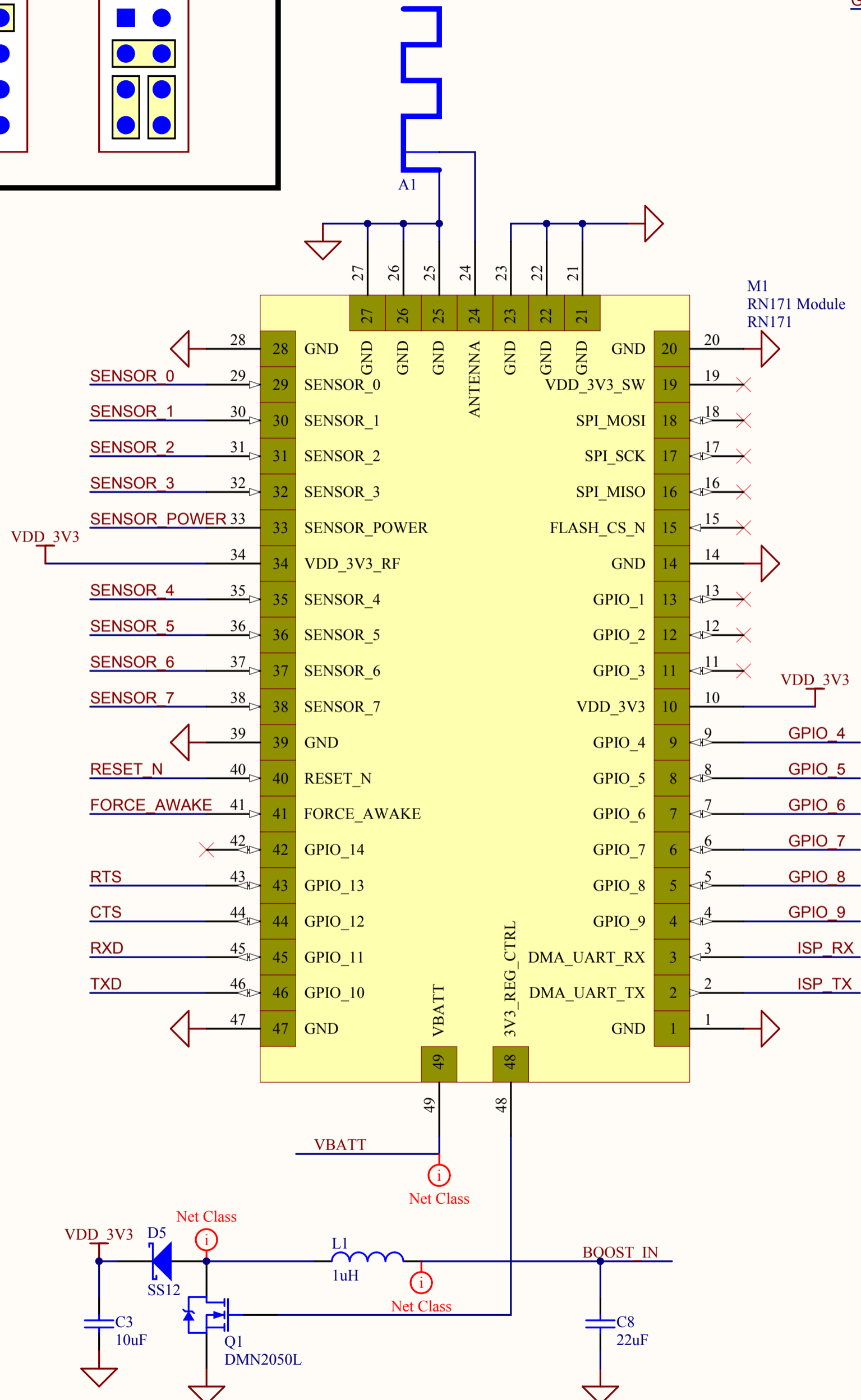
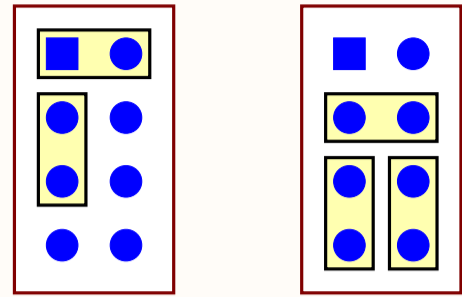


Power Select: J4

Low Voltage Mode High Voltage Mode



Title		Revision: 3	
RN-174p		Sheet 1 of 1	
(C) Roving Networks			
Author		Razvan Turiac	
File	m-174.SchDoc	Date	3/8/2011 5:46:44 PM