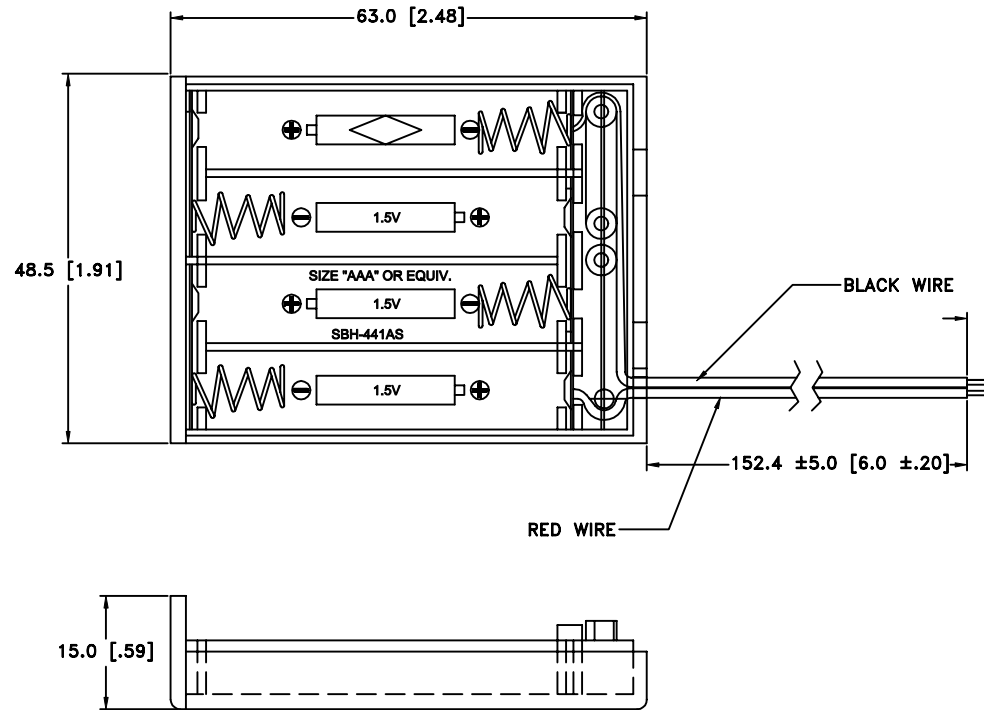
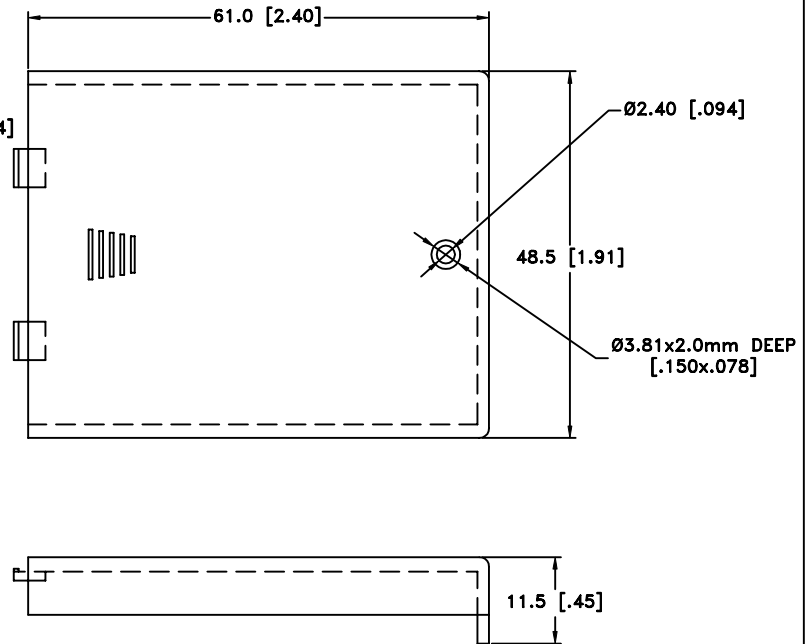


Date	SYM	REVISION RECORD	AUTH	DR.	CK.




**BOTTOM-HOUSING**



**TOP COVER**

**NOTES:**

- 1. ITEM NO. SBH-441A
- 2. MATERIAL:  
 HOUSING AND COVER: BLACK ABS  
 WIRE: UL1007, AWG #26, BLACK AND RED-152.4mm LONG,  
 STRIPPED AND TINNED- 5mm LONG  
 SPRING: 0.5mm, 65C, SPRING WIRE

Tolerance (Except as noted)	 <b>Memory Protection Devices, Inc</b> 200 Broad Hollow Road, Farmingdale, New York 11735		
decimal ±.5 (.020)	Scale	Drawn By B.S. Approved By T.B.	
Fractional ± .8 (.030)	Title 4 CELL "AAA" HOLDER WITH COVER		
Angular ± 3°	Date 04/07/01	Drawing Number SBH-441A	