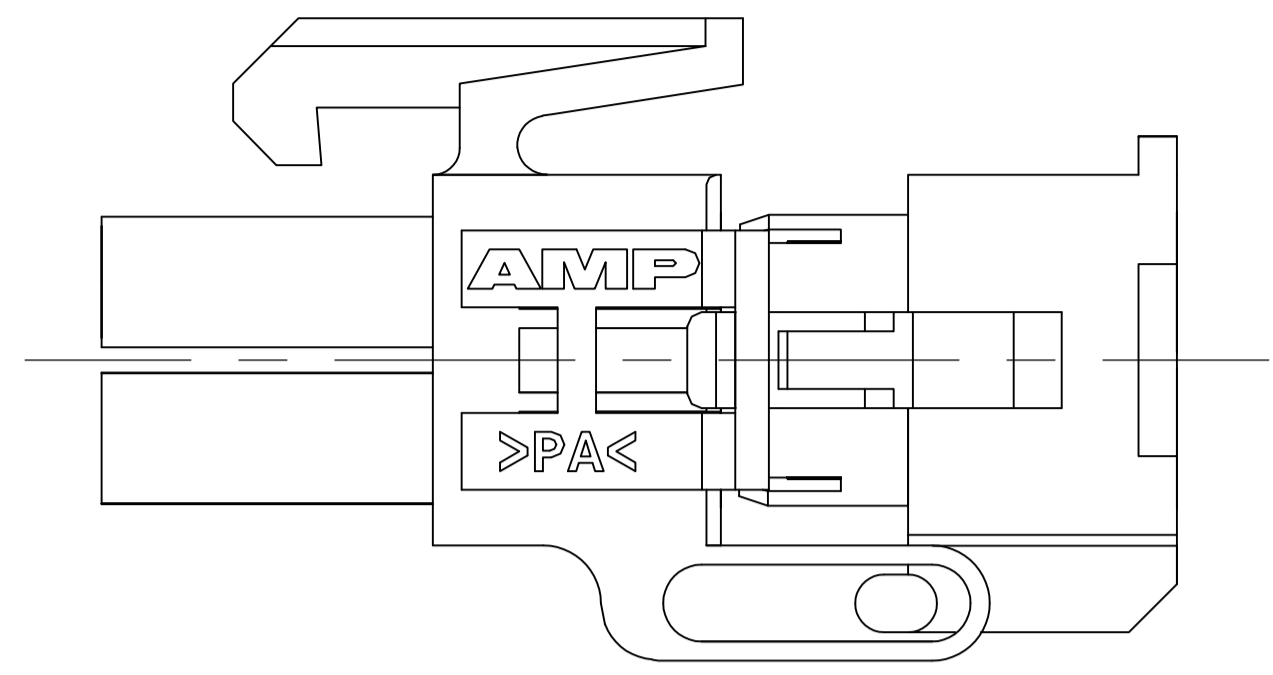
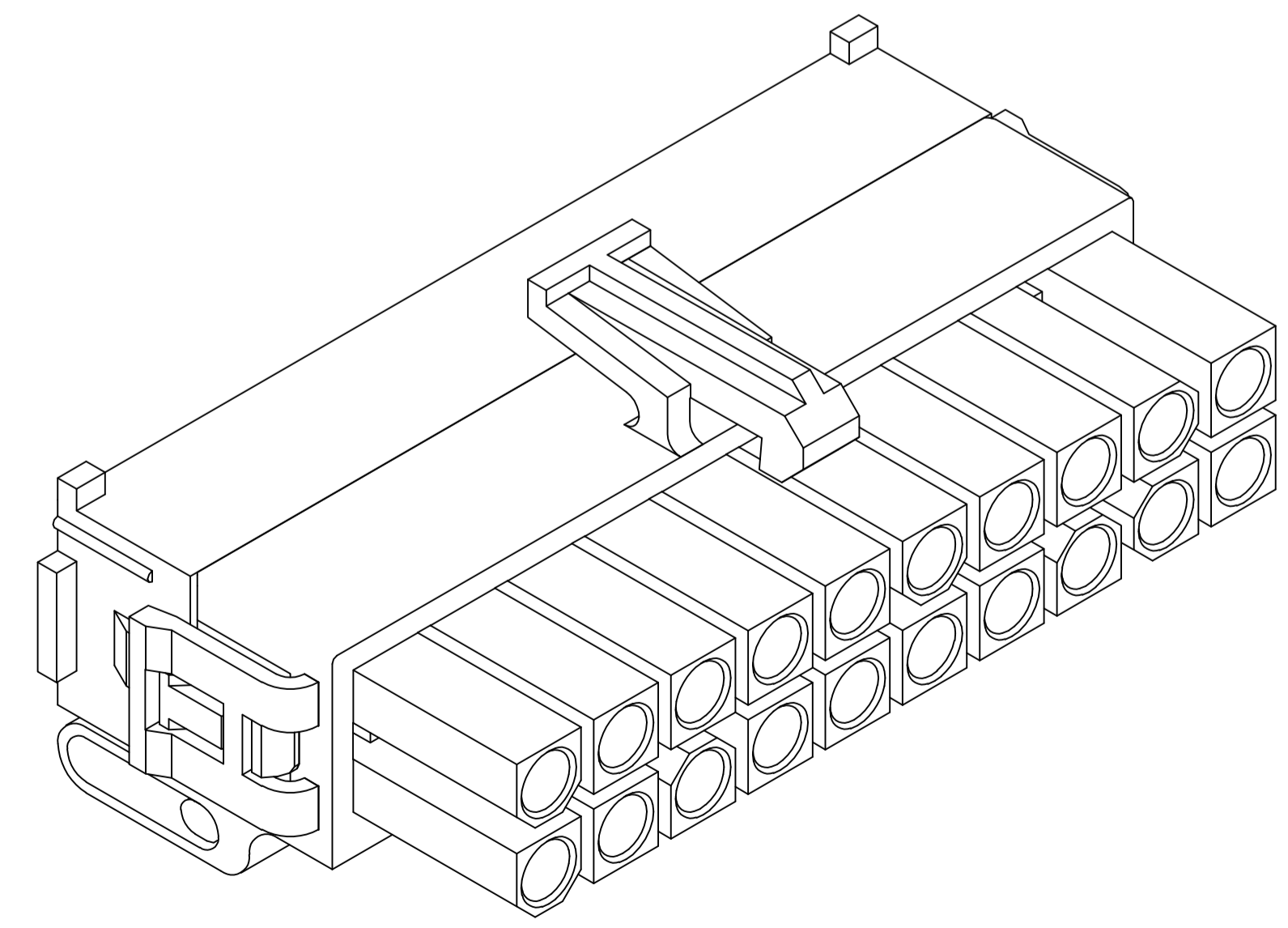
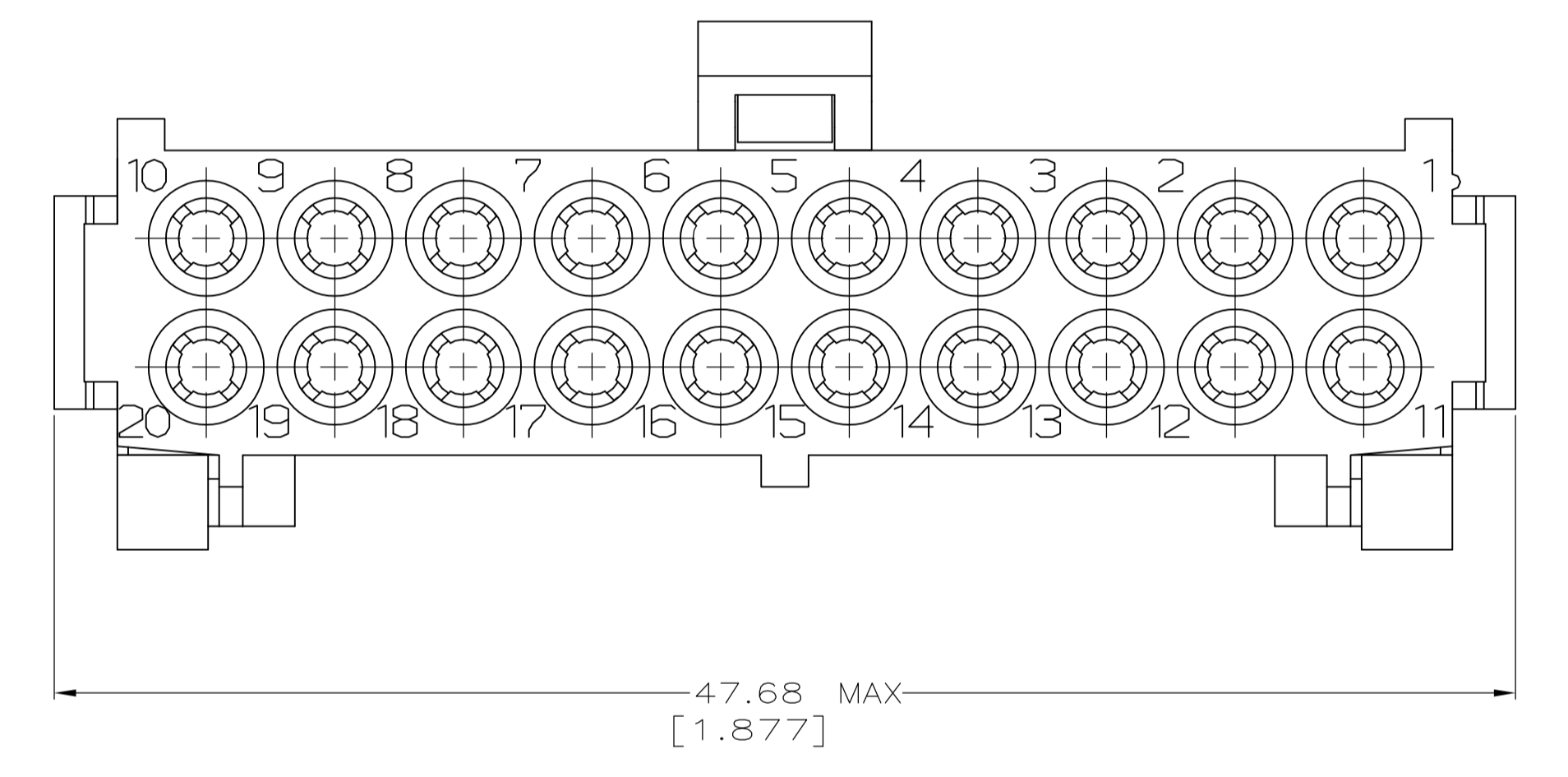
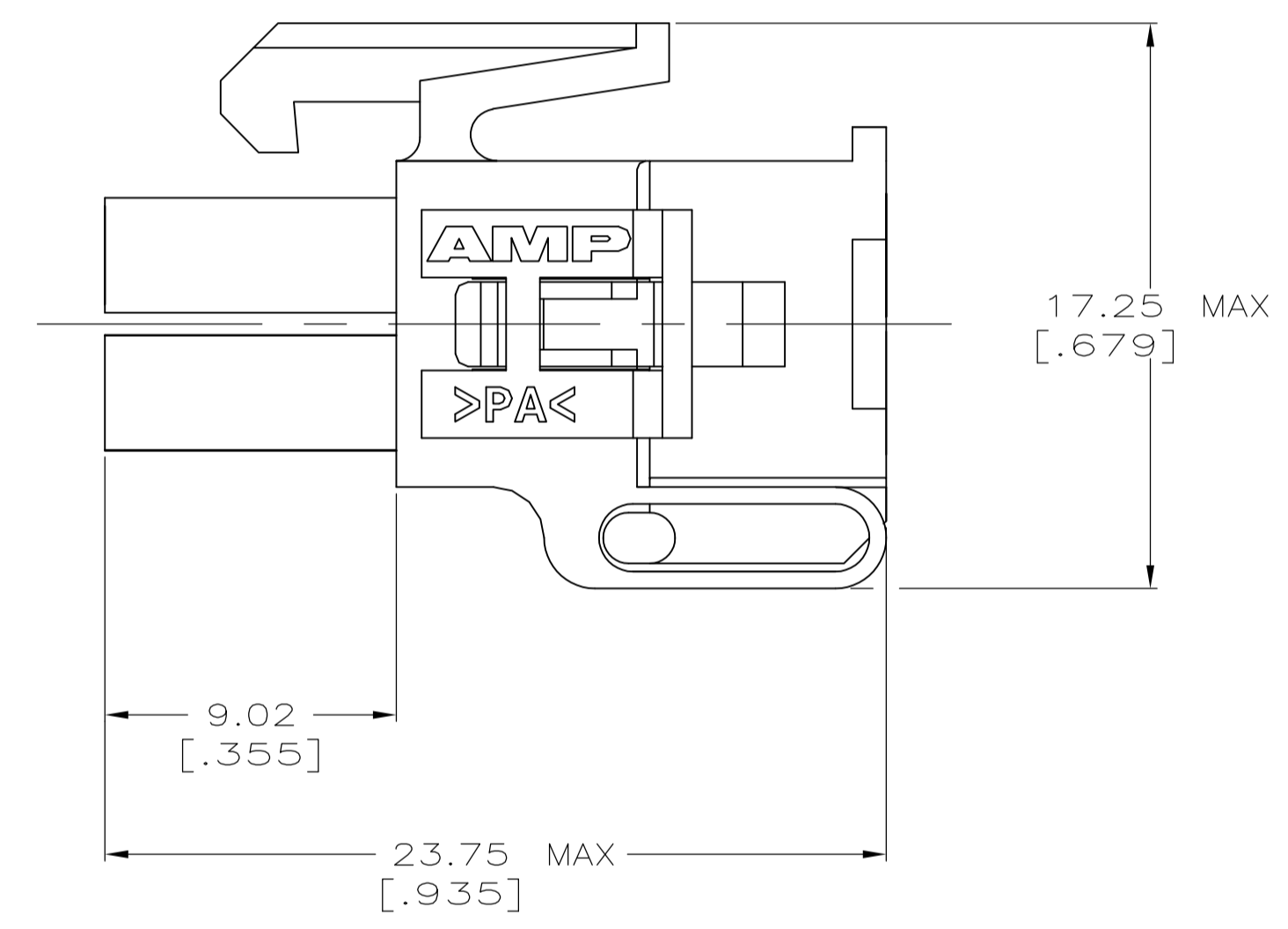
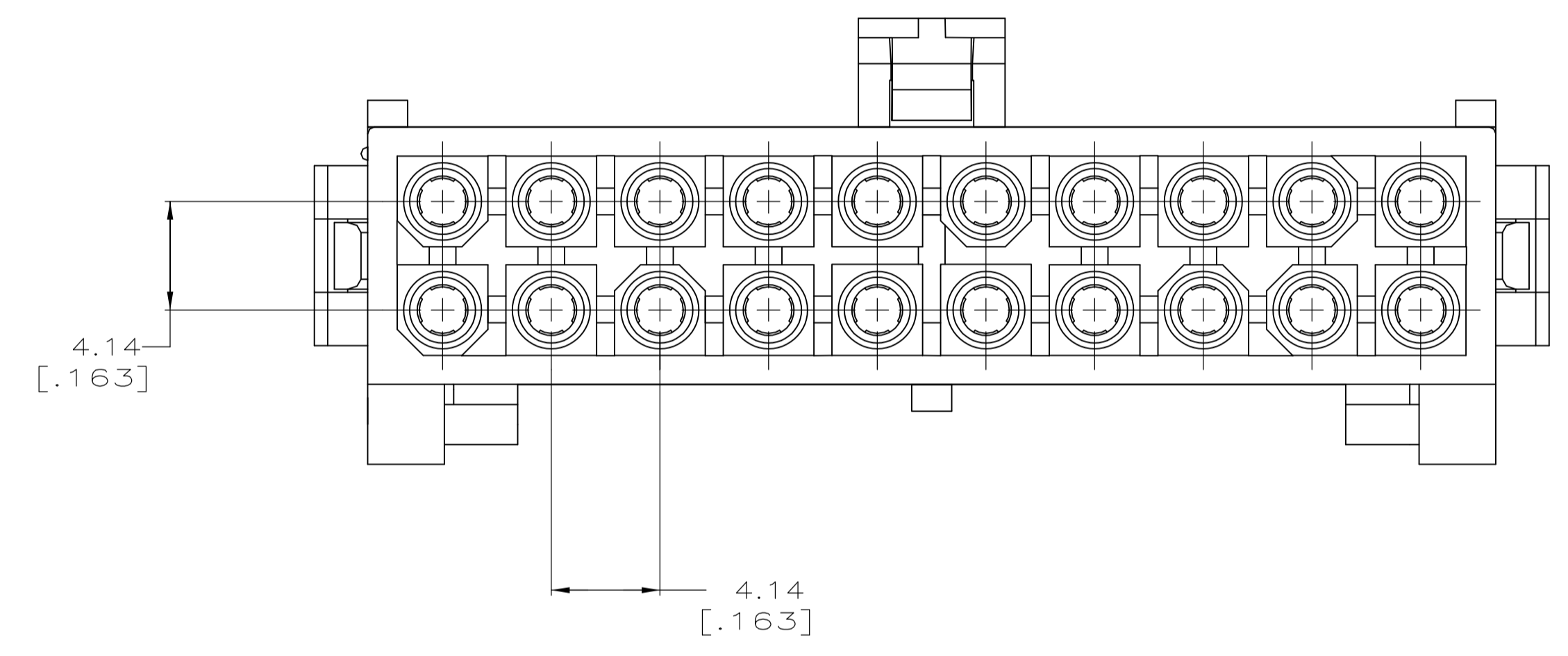


LOC		DIST		REVISIONS			
P	LTR	DESCRIPTION	DATE	DMN	APVD		
C1		REVISED PER ECO-10-025344	23FEB11	JR	TM		



PRE-STAGED CONDITION

1 DIMENSIONS IN BRACKETS ARE IN INCHES.



3-DIMENSIONAL MODEL
NTS

794210-1
PART NUMBER

THIS DRAWING IS A CONTROLLED DOCUMENT.		DWG K. WHITAKER 5-20-97	Tyco Electronics Corporation Harrisburg, PA 17105-3608
DIMENSIONS: mm		CHK R. SWING 5-20-97	
TOLERANCES UNLESS OTHERWISE SPECIFIED:		APP'D R. ORSTAD 5-20-97	NAME PLUG, 20 CIRCUIT, MINI UNIVERSAL MATE-N-LOK
0. PLC ± - 1. PLC ± - 2. PLC ± - 3. PLC ± 0.13 [.005] 4. PLC ± - ANGLES ± -		PRODUCT SPEC	APPLICATION SPEC
MATERIAL NYLON, UL94V-0, NATURAL		FINISH -	SIZE A1
CUSTOMER DRAWING		WEIGHT -	SCALE 5:1
		DRAWING NO. 00779	SHEET 1 OF 1
		REV C	REV C1