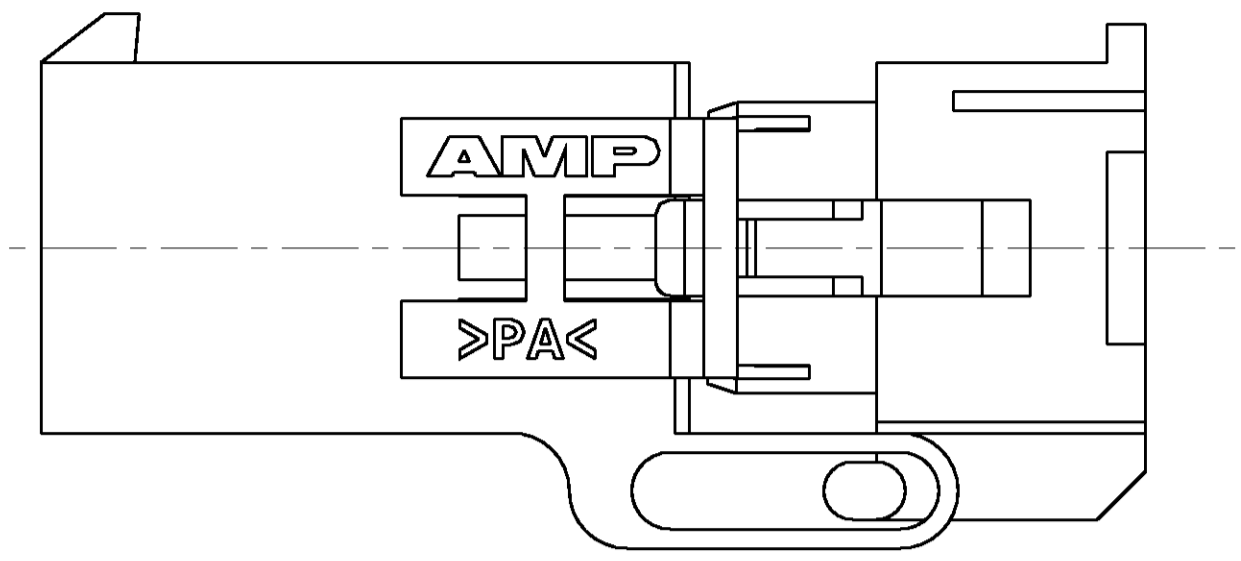
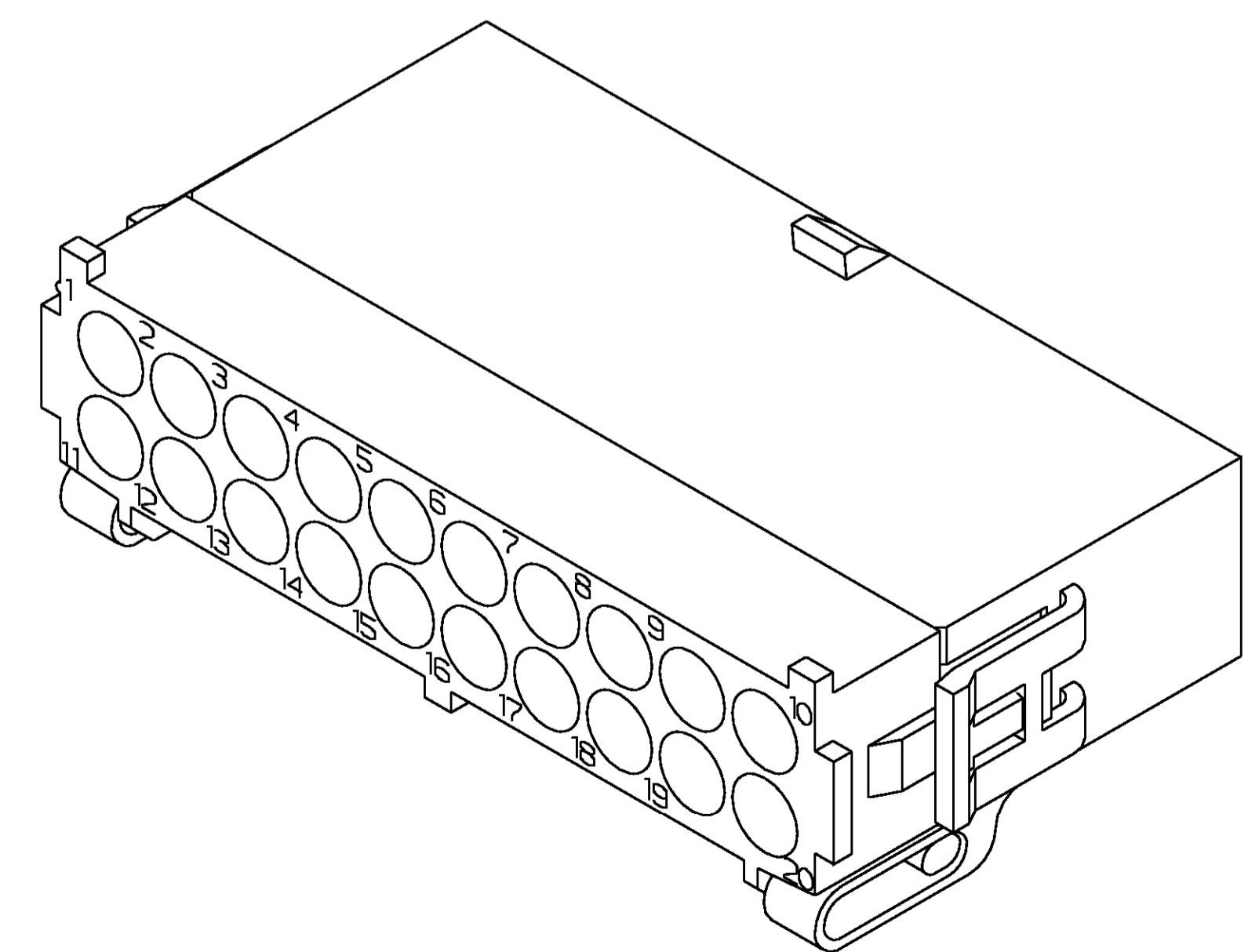
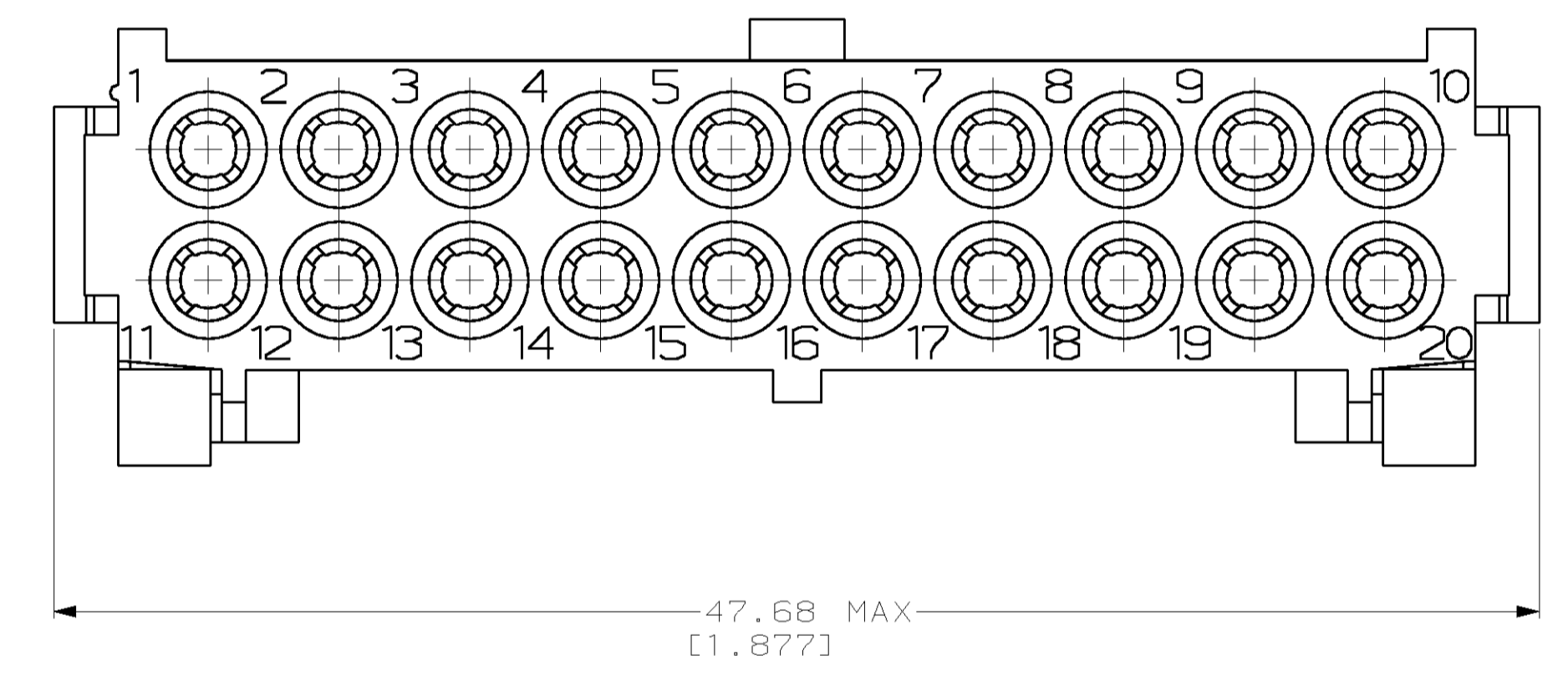
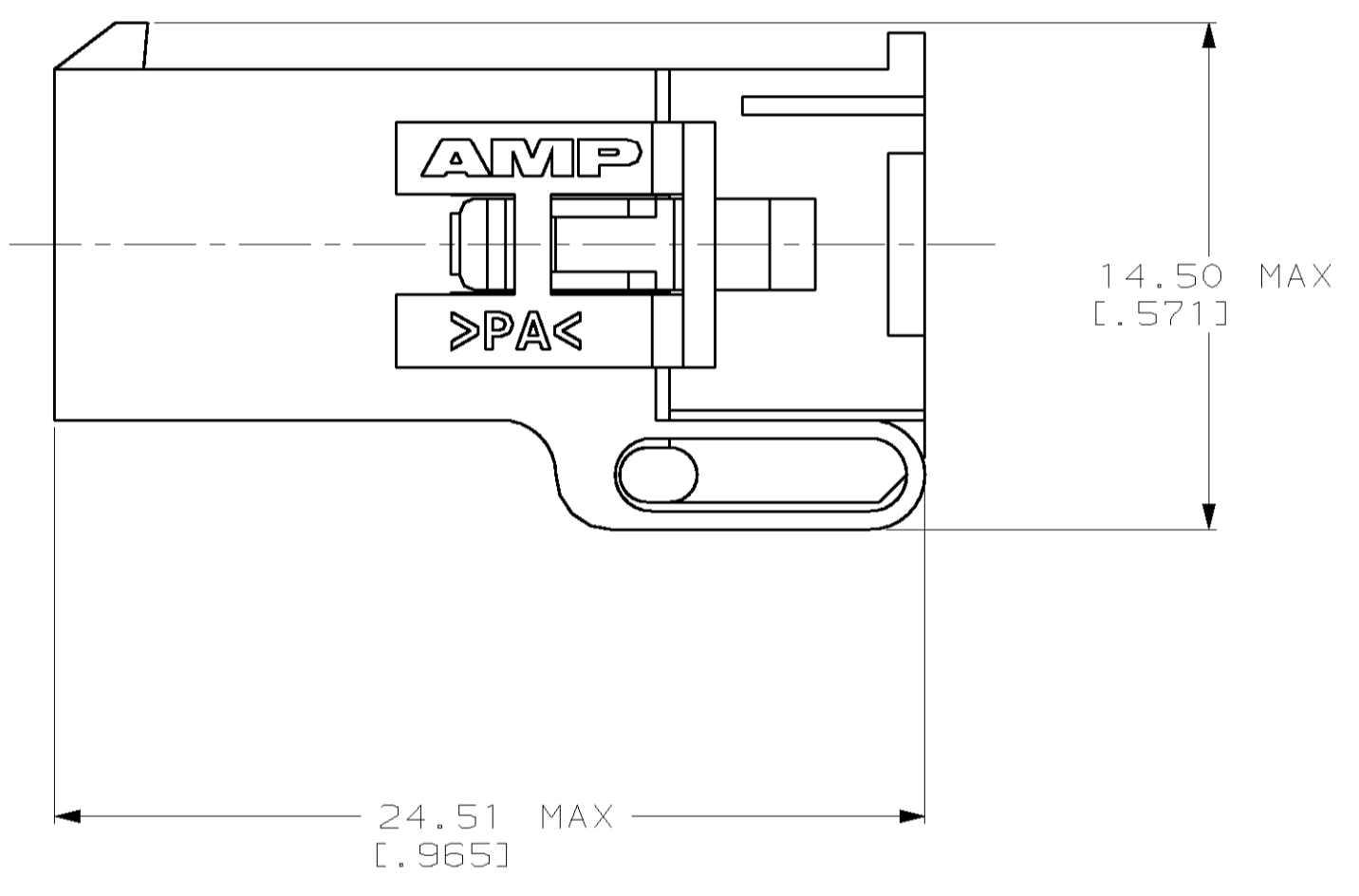
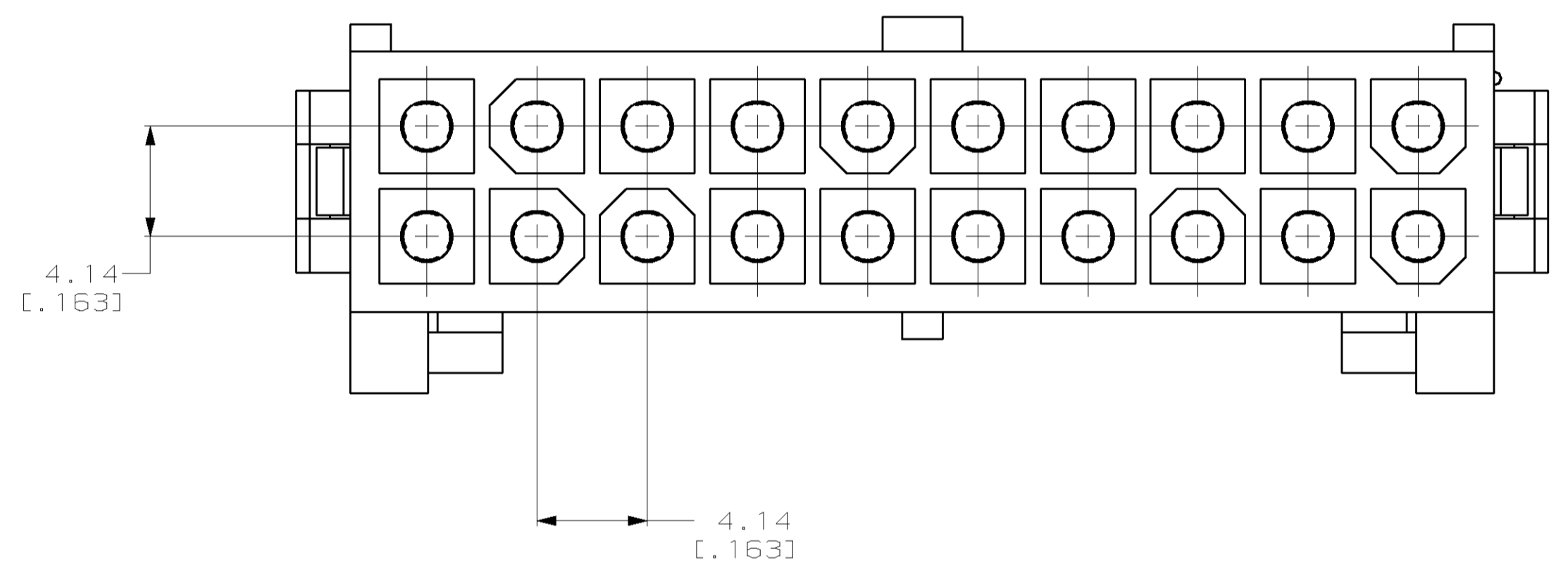


LOC	DIST	REVISIONS			
F	CHR	DESCRIPTION	DATE	OWN	APVD
CM	53	A	REV PER EC 061B-0094-99	23-SEP-99	KW KC

1. DIMENSIONS IN BRACKETS ARE IN INCHES.



PRE-STAGED CONDITION



3-DIMENSIONAL MODEL
NTS

794211-1
PART NUMBER



THIS DRAWING IS A CONTROLLED DOCUMENT.		DWN K. WHITAKER 5-20-97	AMP AMP Incorporated Harrisburg, PA 17105-3608
DIMENSIONS:		CHK R. SWING 5-20-97	
mm	TOLERANCES UNLESS OTHERWISE SPECIFIED:	APVD S. ORSTAD 5-20-97	NAME CAP, 20 CIRCUIT, MINI UNIVERSAL MATE-N-LOK™ 2
0 PLC ±	0.05	PRODUCT SPEC	SIZE CAGE CODE DRAWING NO RESTRICTED TO
1 PLC ±	0.10	APPLICATION SPEC	A1 00779 C-794211
2 PLC ±	0.15	WEIGHT	-
3 PLC ±0.13 (0.005)		CUSTOMER DRAWING	SCALE 5:1 SHEET 1 OF 1 REV A
4 PLC ±	0.20		
ANGLES ±	0.5		
MATERIAL NYLON, UL 94V-0, NATURAL	FINISH -		