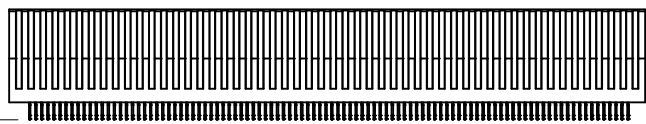


PART NUMBER	VERSION	BAY 1/BAY 2	TOTAL CIRCUITS	DIM A	SALES DRAWING (SEE NOTE 8)
170673-2278	2 BAY	146/132	278	118.63	SD-170673-2278
170673-1200	1 BAY	200	200	84.20	SD-170673-1200
170673-2108	2 BAY	86/22	108	50.63	SD-170673-2108
170673-2080	2 BAY	52/28	80	39.43	SD-170673-2080
170673-1046	1 BAY	46	46	22.60	SD-170673-1046

2 BAY EDGELINE



1 BAY EDGELINE



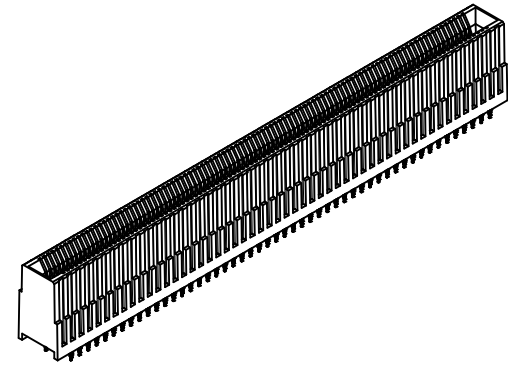
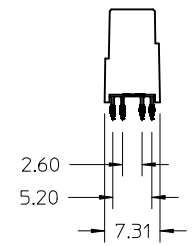
LAST CIRCUIT



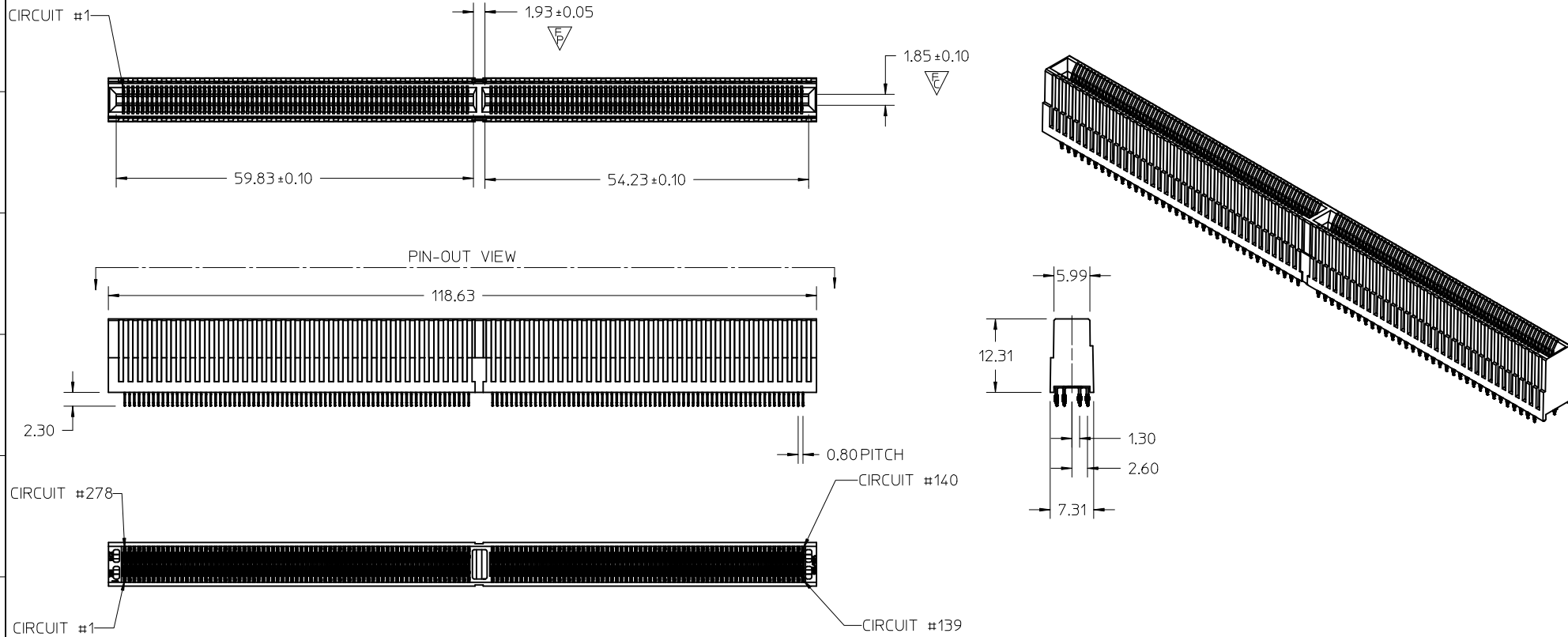
FIRST CIRCUIT

NOTES:

- MATERIAL:  
HOUSING - GLASS FILLED THERMOPLASTIC, 94-V0, BLACK  
TERMINALS - COPPER ALLOY
- FINISH:  
CONTACT AREA: HARD GOLD -0.76μm MIN OVER 3.80μ NICKEL  
COMPLIANT AREA: TIN - 0.76/1.52μm OVER NICKEL
- REFER TO PS-75594-999 PRODUCT SPECIFICATION FOR ALL ELECTRICAL, MECHANICAL AND ENVIRONMENTAL SPECIFICATIONS.
- PROCESSING: PRESSFIT TO PC BOARD.
- MATING PC BOARD THICKNESS = 1.60±0.16MM OVER CONTACT PADS.
- PRODUCT IS ELV AND RoHS COMPLIANT. LEVEL OF COMPLIANCE: 6/6  
ALL BANNED SUBSTANCES ARE REMOVED:  
Pb (LEAD)  
HEXAVALENT CHROMIUM (CrVI)  
CADMIUM  
MERCURY  
POLYBROMINATED BIPHENYL (PBB)  
POLYBROMINATED DIPHENYL ETHER (PBDE)
- THIS PART CONFORMS TO CLASS B REQUIREMENTS OF COSMETIC SPEC PS-45499-002
- FOR EDGECARD AND MOUNTING PCB LAYOUT DETAIL SEE CORRESPONDING SALES DRAWING.



<b>RELEASED REV A</b> EC NO: UCP2011-2702 DRWNG: DROSCA 2011/03/07 CHKD: JCOMERCI 2011/03/28 APPR: JCOMERCI 2011/03/28	DESCRIPTION REV 0 0 0	QUALITY SYMBOLS ▽ = 0 ▽ = 0 ▽ = 0	GENERAL TOLERANCES (UNLESS SPECIFIED)		DIMENSION STYLE <b>MM ONLY</b>		SCALE <b>2:1</b>	DESIGN UNITS <b>METRIC</b>	THIRD ANGLE PROJECTION			
			4 PLACES ±	mm	INCH	DRAWN BY	DATE	<b>EDGELINE 12.5GB</b> <b>0.062*PCB 0.8MM PITCH</b>				
			3 PLACES ±			DROSCA	2010/06/22					
			2 PLACES ±			CHECKED BY	DATE	<b>MOLEX INCORPORATED</b>				
1 PLACE ±			JCOMERCI	2010/06/22								
ANGULAR ±1/2°			APPROVED BY JCOMERCI		DATE 2010/10/25		MATERIAL NO. <b>SEE TABLE</b>		DOCUMENT NO. <b>SD-170673-0001</b>			
DRAFT WHERE APPLICABLE MUST REMAIN WITHIN DIMENSIONS			SIZE <b>C</b>		THIS DRAWING CONTAINS INFORMATION THAT IS PROPRIETARY TO MOLEX INCORPORATED AND SHOULD NOT BE USED WITHOUT WRITTEN PERMISSION							

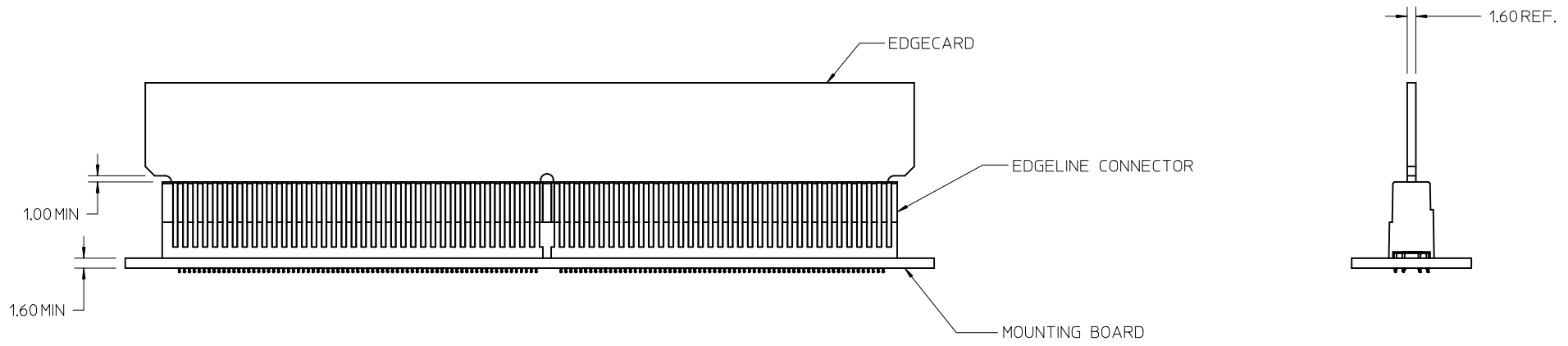


NOTES:

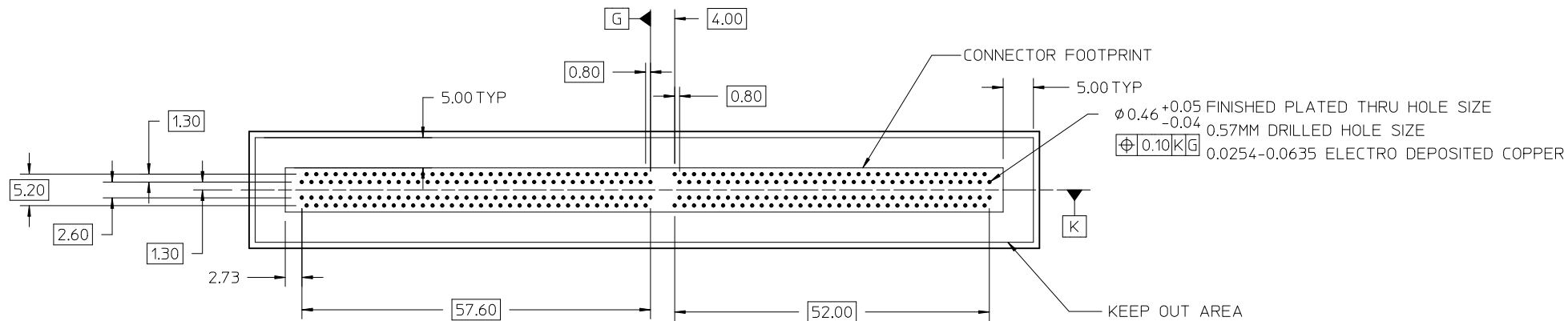
1. MATERIAL:  
HOUSING - GLASS FILLED THERMOPLASTIC, 94-V0, BLACK  
TERMINALS - COPPER ALLOY
2. FINISH:  
CONTACT AREA: HARD GOLD -0.76µm MIN OVER 3.80µ NICKEL  
COMPLIANT AREA: TIN - 0.76/1.52µm OVER NICKEL
3. REFER TO PS-75594-999 PRODUCT SPECIFICATION FOR ALL ELECTRICAL, MECHANICAL AND ENVIRONMENTAL SPECIFICATIONS.
4. REFER TO PK-76693-900 FOR ALL PACKAGING SPECIFICATIONS.
5. PROCESSING: PRESSFIT TO PC BOARD.
6. MATING PC BOARD THICKNESS = 1.60±0.16MM OVER CONTACT PADS.
7. PRODUCT IS ELV AND RoHS COMPLIANT. LEVEL OF COMPLIANCE: 6/6  
ALL BANNED SUBSTANCES ARE REMOVED:  
Pb (LEAD)  
HEXAVALENT CHROMIUM (CrVI)  
CADMIUM  
MERCURY  
POLYBROMINATED BIPHENYL (PBB)  
POLYBROMINATED DIPHENYL ETHER (PBDE)
8. THIS PART CONFORMS TO CLASS B REQUIREMENTS OF COSMETIC SPEC PS-45499-002

INITIAL RELEASE EC NO: UCP2011-2702 2011/03/17 DRW: DROSCA CHKD: JCOMERCI APPR: JCOMERCI 2011/03/28 2011/03/28	QUALITY SYMBOLS ▽ = 0 ▽ = 1 ▽ = 1	GENERAL TOLERANCES (UNLESS SPECIFIED)		DIMENSION STYLE <b>MM ONLY</b>		SCALE <b>2:1</b>	DESIGN UNITS <b>METRIC</b>	THIRD ANGLE PROJECTION	
		mm	INCH	DRAWN BY DROSCA	DATE 2011/03/17	TITLE <b>EDGELINE 12.5GB 278CKTS 0.062*PCB 0.8MM PITCH</b>			
A	REV	4 PLACES ± --- ± ---		CHECKED BY JCOMERCI	DATE 2011/03/28	MATERIAL NO. <b>1706732278</b> DOCUMENT NO. <b>SD-170673-2278</b> SHEET NO. <b>1 OF 4</b>			
		3 PLACES ± --- ± ---		APPROVED BY JCOMERCI	DATE 2011/03/28				
		2 PLACES ± 0.15 ± ---		THIS DRAWING CONTAINS INFORMATION THAT IS PROPRIETARY TO MOLEX INCORPORATED AND SHOULD NOT BE USED WITHOUT WRITTEN PERMISSION					
		1 PLACE ± 0.25 ± ---							
		ANGULAR ± 1/2°							
		DRAFT WHERE APPLICABLE MUST REMAIN WITHIN DIMENSIONS							

# EDGELINE CONNECTOR BOARD MOUNTING

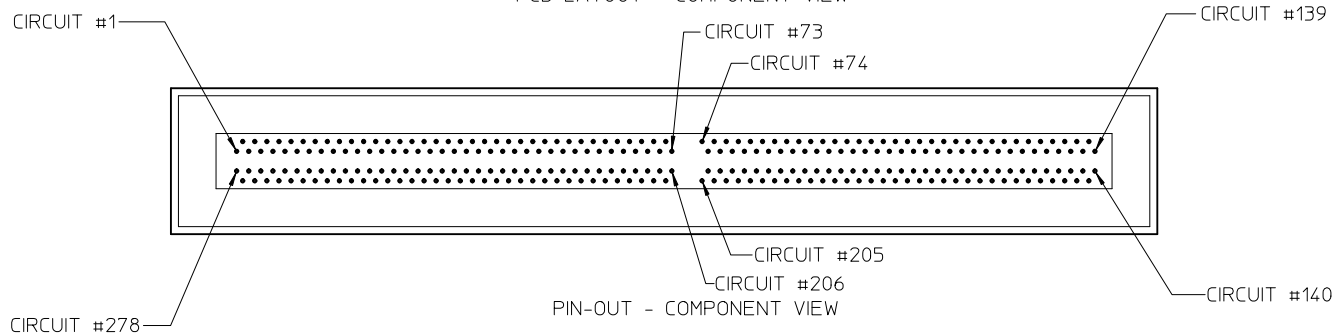


SEE SHEET 1 EC NO: UCP2011-2702 DRWN: DROSCA 2011/03/17 CHKD: JCOMERCI 2011/03/28 APPR: JCOMERCI 2011/03/28	REV A	DESCRIPTION	QUALITY SYMBOLS ▽=0 ▽=0	GENERAL TOLERANCES (UNLESS SPECIFIED)	DIMENSION STYLE <b>MM ONLY</b>	SCALE <b>2:1</b>	DESIGN UNITS <b>METRIC</b>	THIRD ANGLE PROJECTION																									
			<table border="1" style="width: 100%; border-collapse: collapse;"> <thead> <tr> <th></th> <th>mm</th> <th>INCH</th> </tr> </thead> <tbody> <tr> <td>4 PLACES</td> <td>± .005</td> <td>± .0005</td> </tr> <tr> <td>3 PLACES</td> <td>± .005</td> <td>± .0005</td> </tr> <tr> <td>2 PLACES</td> <td>± 0.15</td> <td>± .006</td> </tr> <tr> <td>1 PLACE</td> <td>± 0.25</td> <td>± .010</td> </tr> </tbody> </table>		mm	INCH	4 PLACES	± .005	± .0005	3 PLACES	± .005	± .0005	2 PLACES	± 0.15	± .006	1 PLACE	± 0.25	± .010	<table border="1" style="width: 100%; border-collapse: collapse;"> <thead> <tr> <th>DRAWN BY</th> <th>DATE</th> </tr> </thead> <tbody> <tr> <td>DROSCA</td> <td>2011/03/17</td> </tr> <tr> <th>CHECKED BY</th> <th>DATE</th> </tr> <tr> <td>JCOMERCI</td> <td>2011/03/28</td> </tr> <tr> <th>APPROVED BY</th> <th>DATE</th> </tr> <tr> <td>JCOMERCI</td> <td>2011/03/28</td> </tr> </tbody> </table>	DRAWN BY	DATE	DROSCA	2011/03/17	CHECKED BY	DATE	JCOMERCI	2011/03/28	APPROVED BY	DATE	JCOMERCI	2011/03/28	TITLE <b>EDGELINE 12.5GB 278CKTS 0.062*PCB 0.8MM PITCH</b>	
				mm	INCH																												
			4 PLACES	± .005	± .0005																												
3 PLACES	± .005	± .0005																															
2 PLACES	± 0.15	± .006																															
1 PLACE	± 0.25	± .010																															
DRAWN BY	DATE																																
DROSCA	2011/03/17																																
CHECKED BY	DATE																																
JCOMERCI	2011/03/28																																
APPROVED BY	DATE																																
JCOMERCI	2011/03/28																																
DRAFT WHERE APPLICABLE MUST REMAIN WITHIN DIMENSIONS				MATERIAL NO. <b>SEE SHEET 1</b>		DOCUMENT NO. <b>SD-170673-2278</b>		SHEET NO. <b>2 OF 4</b>																									

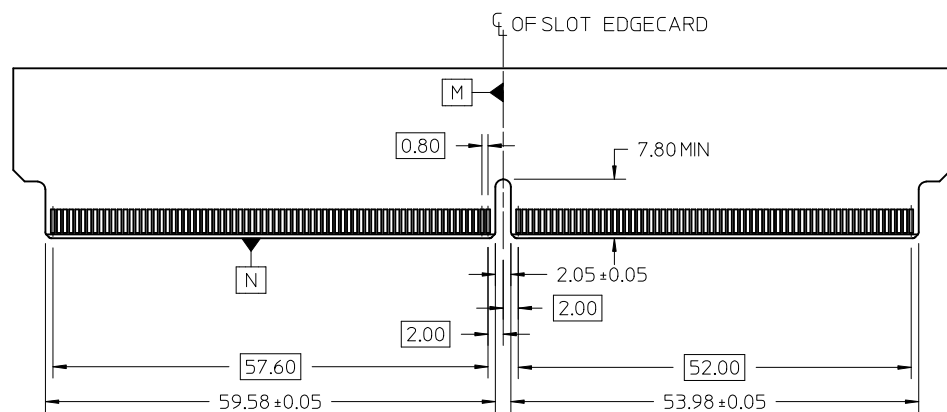


PCB LAYOUT - COMPONENT VIEW

KEEP OUT AREA FOR EXTRACTION TOOL



PIN-OUT - COMPONENT VIEW



<b>SEE SHEET 1</b> EC NO: UCP2011-2702 DRWN: DROSCA 2011/03/17 CHKD: JCOMERC I 2011/03/28 APPR: JCOMERC I 2011/03/28	QUALITY SYMBOLS $\nabla = 0$ $\nabla = 0$ $\nabla = 0$	GENERAL TOLERANCES (UNLESS SPECIFIED)		DIMENSION STYLE <b>MM ONLY</b>	SCALE <b>2:1</b>	DESIGN UNITS <b>METRIC</b>	THIRD ANGLE PROJECTION		
		4 PLACES $\pm$ --- $\pm$ ---	3 PLACES $\pm$ --- $\pm$ ---	2 PLACES $\pm 0.15$ $\pm$ ---	1 PLACE $\pm 0.25$ $\pm$ ---	DRAWN BY DROSCA	DATE 2011/03/17	TITLE <b>EDGE LINE 12.5GB 278CKTS          0.062*PCB 0.8MM PITCH</b>	
		ANGULAR $\pm 1/2^\circ$				CHECKED BY JCOMERC I	DATE 2011/03/28	MOLEX INCORPORATED	
		DRAFT WHERE APPLICABLE MUST REMAIN WITHIN DIMENSIONS				APPROVED BY JCOMERC I	DATE 2011/03/28	MATERIAL NO. <b>SEE SHEET 1</b>	DOCUMENT NO. <b>SD-170673-2278</b>
SIZE <b>C</b>		THIS DRAWING CONTAINS INFORMATION THAT IS PROPRIETARY TO MOLEX INCORPORATED AND SHOULD NOT BE USED WITHOUT WRITTEN PERMISSION						SHEET NO. <b>3 OF 4</b>	

