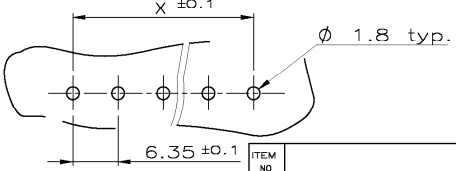
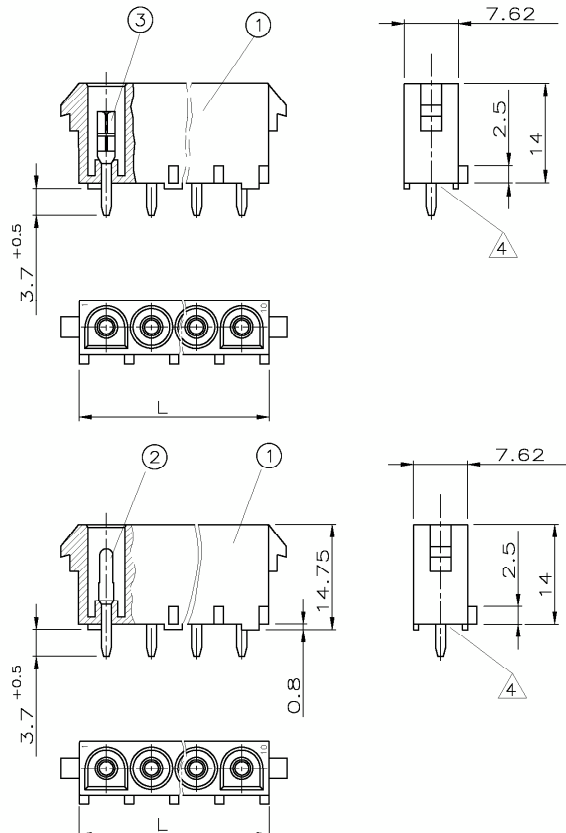


Leiterplatten-LAYOUT

Bestellbeispiel:

- 2-826-839-3 besteht aus:
 - 2-pol. UMNL PC HEADER HSG. (NATURAL)
 - UMNL Stiftkontakt (selectiv vergoldet)

- 3 Nur erste und letzte Kontaktkammer bezeichnet
- 4 Kontaktausdrückkraft größer 20N pro Kontakt



ITEM NO

②

③

④

①

④ SUPERSEDED BY -3

④ SUPERSEDED BY -3

④ SUPERSEDED BY -3

④ SUPERSEDED BY -3

④ SUPERSEDED BY -3

④ SUPERSEDED BY -3

④ SUPERSEDED BY -3

ITEM NO	CONTACT	TYP	UMNL PIN		UMNL SOCKET	
			CuSn nachverzinkt über Ni	CuSn select Gold	CuSn nachverzinkt über Ni	CuSn select Gold
HOUSING	PN	DWG SIZE	1-167654-3	1-167654-4	1-167656-3	1-167656-4
TYP	COLOR		B	B	B	B
2 WAY UMNL PC.HEADER	1 Natural	Replacing 350428-1	1 Replacing 350428-4	1 Replacing 350789-4	1 Replacing 350759-5	
	2 Black					
	3 Natural	Replacing 350786-1	3 Replacing 350786-3	3 Replacing 350824-1	3 Replacing 350824-4	
	4 White					
	5 Orange	826839	2-826839	826846	2-826846	
	6 Black					
	7 Natural					
3 WAY UMNL PC.HEADER	1 Natural	Replacing 350429-1	1 Replacing 350429-4	1 Replacing 350790-4	1 Replacing 350760-5	
	2 Black					
	3 Natural	Replacing 350789-1	3 Replacing 350789-3	3 Replacing 350825-1	3 Replacing 350825-4	
	4 White					
	5 Orange	826840	2-826840	826847	2-826847	
	6 Black					
	7 Natural					
4 WAY UMNL PC.HEADER	1 Natural	Replacing 350430-1	1 Replacing 350430-4	1 Replacing 350791-4	1 Replacing 350761-5	
	2 Black					
	3 Natural	Replacing 350792-1	3 Replacing 350792-3	3 Replacing 350826-1	3 Replacing 350826-4	
	4 White					
	5 Orange	826841	2-826841	826848	2-826848	
	6 Black					
	7 Natural					
5 WAY UMNL PC.HEADER	1 Natural	Replacing 640466-1	1 Replacing 640466-3	1 Replacing 640467-1	1 Replacing 640467-3	
	2 Black					
	3 Natural	Replacing 640900-1	3 Replacing 640900-3	3 Replacing 640901-1	3 Replacing 640901-3	
	4 White					
	5 Orange	826842	2-826842	826849	2-826849	
	6 Black					
	7 Natural					
6 WAY UMNL PC.HEADER	1 Natural	Replacing 641832-1	1 Replacing 641831-1			
	2 Black					
	3 Natural	826843	2-826843	Replacing 770262-3	3 Replacing 770262-3	
	4 White					
	5 Orange			826850	2-826850	
	6 Black					
	7 Natural					
8 WAY UMNL PC.HEADER	1 Natural	Replacing 641828-1				
	2 Black					
	3 Natural	Replacing 641828-1	3 2-826844	826851	3 2-826851	
	4 White					
	5 Orange	826844				
	6 Black					
	7 Natural					
10 WAY UMNL PC.HEADER	1 Natural					
	2 Black					
	3 Natural	826845	2-826845	826852	2-826852	
	4 White					
	5 Orange					
	6 Black					
	7 Natural					

- NEUES MATERIAL (PHOSPHOR UND HALOGEN FREI) AUSSEHEN:WEISS
- MATERIAL ZYTEL E 103 HSL
- MATERIAL PA 6 UL 94 V2
- BULK PACKAGING IN PLASTIC BAG & CORRUGATED SHIPPING BOX PN 973058-3
- GWT 750° (WITHOUT FLAME) ACC.IEC 60335-1 EDITION 06/2001
- PN 826845-3 IS USING PIN PN 770528-1 & PN 826852-3 IS USING SOCKET PN 350574-4

926 302	57.15	64.77	10
926 301,640 582,640 586	44.45	52.07	8
936 300,640 581,640 585	31.75	39.37	6
926 299,350 809,480 763	25.40	33.02	5
926 298,350 779,480 702	19.05	26.67	4
350 766,480 700	12.70	20.32	3
350 777,480 698	6.35	13.97	2
Passend zu Steckergehäuse	"X"	"L"	Polzahl

ZEICHNUNG GÜLTIG AB 01./96.

STE TE Connectivity

BENENNUNG UMNL IN-LINE PC.HEADER ASSY

K

BESTELL-NR.	POS.	STÜCK	BENENNUNG EINZELTEIL	WERKSTOFF	OBERFLÄCHE FARBE	NICHT TOLERIERTE MASSE ± 0.2mm ± 1.5°	FORMAT A2	ZEICHNUNGS-NR. C-826839
			GEZ. H.Oehme	GEPR. -				1 VON 1 REV: M11