



146 x 290 3.5Gb/s Crosspoint Switch with Trace Equalization and Output De-emphasis

Key Features

- 146 x 290 crosspoint switch architecture supporting broadcast and multi-cast modes
- Supports all data rates up to 3.5Gb/s
- Low power consumption: 31.51W typical (all channels active)
- Sophisticated, dynamic on-chip power management control
- Independent, programmable input trace equalization to reduce deterministic jitter (ISI)
- Independent, programmable output de-emphasis for driving long board traces
- High-speed, video-optimized control for multi-format applications
- Built-in system test features with on-chip PRBS generators and analyzers
- 2.5V analog core voltage, 1.8V digital core voltage
- Input and output voltages support either 1.2V, 1.8V or 2.5V CML
- JTAG-controlled boundary scan
- Selectable parallel/serial host interface
- 50mm x 50mm BGA (2377 ball)
- Operating temperature range: 0°C to +85°C
- RoHS compliant

Applications

Large m x n cascaded routers/switch fabrics for:

- Professional broadcast applications
- Enterprise and carrier applications
- High-speed automated test equipment
- 10GbE and InfiniBand networks

Description

The GX3190 is a low-power, high-speed 146 x 290 crosspoint switch, with robust signal conditioning circuits for driving and receiving high-speed signals through backplanes.

The device typically consumes 31.51W of power with all channels operational, and features sophisticated, dynamically scalable power management. Unused portions of the core are automatically turned off without affecting the operation of the remaining channels.

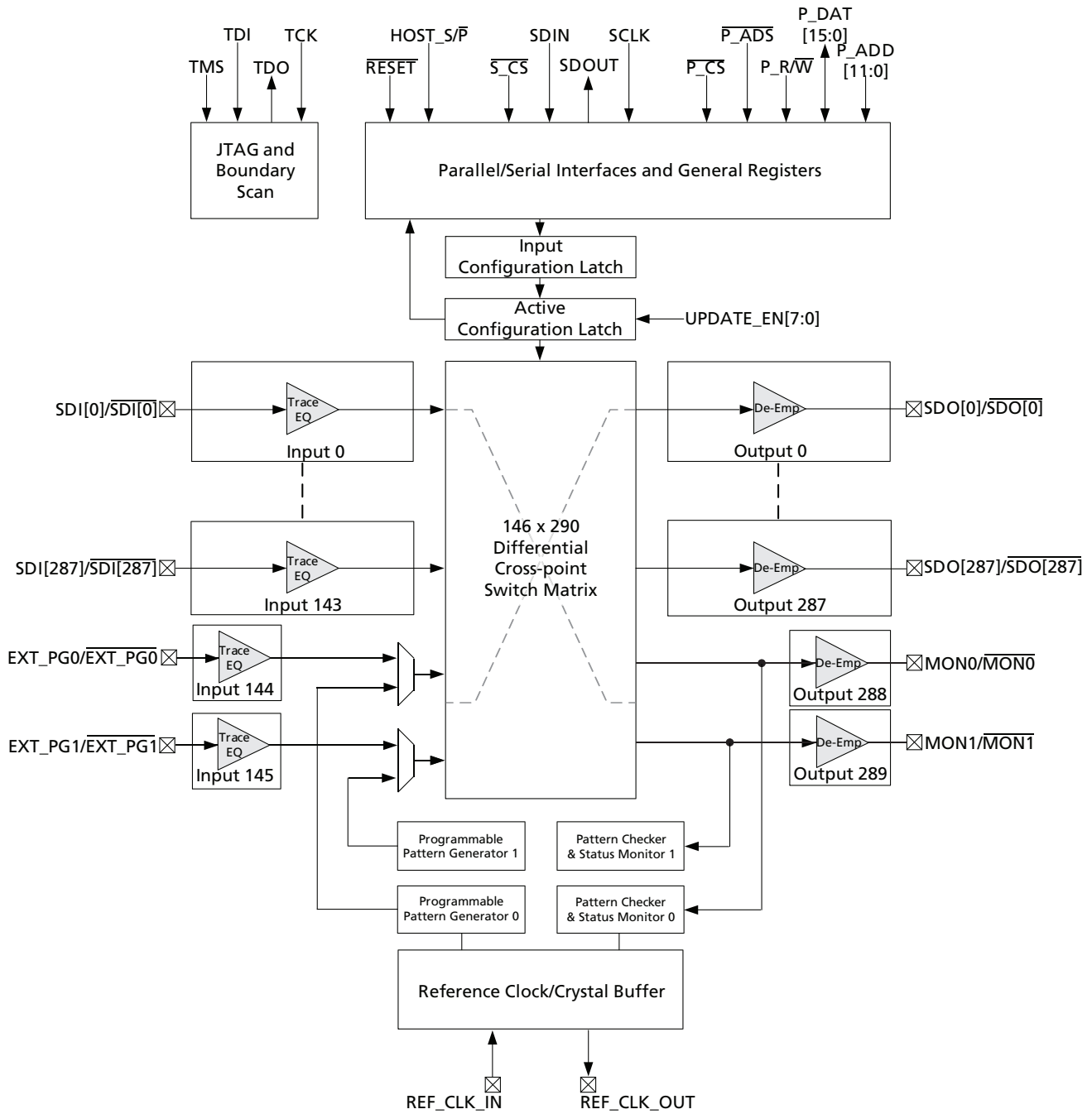
The signal conditioning features of the GX3190 include per-input programmable equalization and per-output programmable de-emphasis. The input equalizer removes ISI jitter—typically caused by PCB trace losses—by opening the input data eye in applications where long PCB traces are used. There are four settings available for the input equalizer, allowing flexibility in adjusting the equalization level on a per-input basis.

Output de-emphasis capability provides a boost of the high-frequency content of the output signal, such that the data eye remains open after passing through a long interconnect of PCB traces and connectors. There are four de-emphasis settings that can be enabled on a per-output basis.

Two integrated programmable pattern generators, and two pattern checkers are provided to assist in system test and configuration.

The pattern generators can each be routed to any output of the device without impacting the normal operation of any other channel. Any input can be routed to each of the pattern checkers.

The chip features eight independent strobe inputs, UPDATE_EN[7:0], which are used to determine the timing of the output updates. Any output can be linked to any strobe.



GX3190 Functional Block Diagram

Revision History

Version	ECO	PCN	Date	Changes and/or Modifications
2	011798	–	March 2013	Corrected second bullet in Section 4.7.1 , and added a note in Section 4.4 .
1	158397	–	October 2012	Included ESD Voltage Sensitivity in Table 2-1 . Modifications to Table 4-18 and Section 4.12.2 to include Auto-Increment Timing and functionality. Updates to Appendix - Relevant Documentation with clear reference to correct documents. Converted document to Data Sheet.
0	157405	–	March 2012	Converted document to Preliminary Data Sheet. Updates throughout.
A	157287	–	November 2011	New document.

Contents

Key Features	1
Applications.....	1
Description.....	1
Revision History	3
1. Ball Out	5
1.1 Ball Assignment	5
1.2 Ball Descriptions	6
2. Electrical Characteristics	9
2.1 Absolute Maximum Ratings	9
2.2 Recommended Operating Conditions	10
2.3 DC Electrical Characteristics	11
2.4 AC Electrical Characteristics	15
3. Input/Output Equivalent Circuits.....	17
4. Detailed Description.....	20
4.1 Serial Data Input	20
4.2 Serial Data Output	21
4.3 Crosspoint Switch Matrix Operation	23
4.4 Propagation Delay	24
4.5 Using Multiple Strokes	24
4.6 Pattern Generator and Pattern Checker	25
4.6.1 Pattern Generator.....	25
4.6.2 Pattern Checker.....	26
4.7 Horizontal Eye Measurement	30
4.7.1 Configuration for Horizontal Eye Measurement	30
4.8 Temperature Sensors	30
4.9 27MHz Reference Clock	33

4.10 Device Power-Up	33
4.11 Device Reset	34
4.12 Host Interface	34
4.12.1 Parallel Host Interface Specifications	34
4.12.2 Serial Host Interface Specifications	39
5. Application Information	41
5.1 Power Supply Filtering and Recommendations	41
5.2 Estimated Worst-Case Load Current Steps	42
5.2.1 VCC_25_A Supply	42
5.2.2 VCC_OUT1, VCC_OUT2 Supplies	42
5.2.3 VCC_IN1, VCC_IN2 Supplies	43
6. Package and Ordering Information	44
6.1 Package Dimensions	44
6.2 Package Thermal Data and Information	45
6.3 Marking Diagram	45
6.4 Solder Reflow Profile	46
6.5 Ordering Information	46
Appendix - Relevant Documentation	46

1. Ball Out

1.1 Ball Assignment

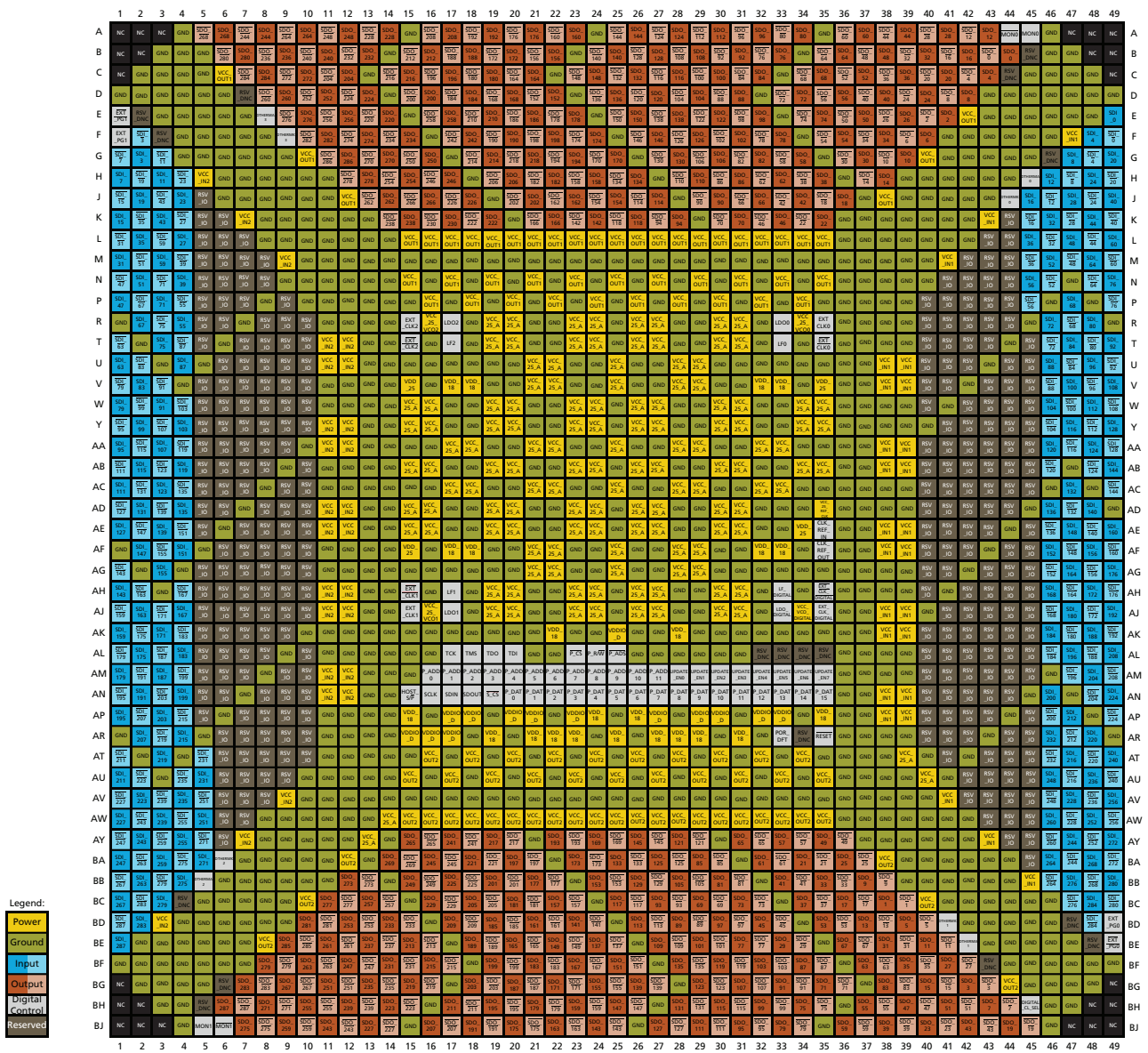


Figure 1-1: GX3190 Ball Assignment Overview (Top View)

1.2 Ball Descriptions

Table 1-1 shows the descriptions for selected GX3190 balls. For a comprehensive list of balls from the GX3190 Crosspoint family, please refer to [GX3290 \(and family\) Crosspoint Ball Guide](#).

Table 1-1: Ball Descriptions

Ball #	Ball Name	I/O	Description
Serial Interface I/O			
AN16	SCLK	I	Serial Host Interface Clock. If unused, tie to ground.
AN17	SDIN	I	Serial Host Interface Data Input. If unused, tie to ground.
AN18	SDOUT	O	Serial Host Interface Data Output. Leave NC if not used.
AN19	$\overline{S_CS}$	I	Serial Host Interface Chip Select. Active-LOW. Must be tied LOW when HOST_S \overline{P} is set LOW.
Parallel Interface I/O			
AL23	$\overline{P_CS}$	I	Parallel host interface chip select. Active-LOW. Must be tied LOW when HOST_S \overline{P} is set HIGH.
AL24	P_R \overline{W}	I	Selects between read and write operations on the parallel host interface. HIGH = Read, LOW = Write. If unused, tie to ground.
AL25	$\overline{P_ADS}$	I	Address and Data Strobe. Strobe signal for latching the address and data into the chip. See Section 4.12.1 for timing information. If unused, tie to ground.
AM27 - AM16	P_ADD[11:0]	I	Address bus for the parallel interface. If unused, tie to ground.
AN35 - AN20	P_DAT[15:0]	I/O	Bi-directional data bus for the parallel interface. If $\overline{P_CS}$ is HIGH, these pins are configured as inputs. Leave NC if parallel interface is not used. If unused, tie to ground.
General I/O			
AN15	HOST_S \overline{P}	I	Host Interface Select pin. Selects between serial and parallel host interfaces. Serial host interface is enabled when HIGH, parallel host interface is enabled when LOW. Must assert \overline{RESET} after changing this pin.
AM35 - AM28	UPDATE_EN [7:0]	I	Update Strobes used to update the switch matrix configuration (see Section 4.5). If unused, weak pull-down to ground.
AR33	POR_DFT	I	This pin disables the Power On Reset circuitry when HIGH. Weak internal pull-down. Leave NC if not used.
AR35	\overline{RESET}	I	Active-LOW reset for entire chip (see Section 4.11 for timing details). Weak internal pull-up. Leave NC if not used.
Test Interface			
AL17	TCK	I	JTAG test clock. Weak pull-up if not used.
AL18	TMS	I	JTAG test mode start. Weak pull-up if not used.
AL19	TDO	O	JTAG test data out. Leave NC if not used.
AL20	TDI	I	JTAG test data in. Weak pull-up if not used.

Table 1-1: Ball Descriptions (Continued)

Ball #	Ball Name	I/O	Description
Filtering			
R17	LDO2	—	LDO filter capacitor for VCO_2. Connect through a 220nF capacitor to ground. See Figure 3-3 for configuration.
R33	LDO0	—	LDO filter capacitor for VCO_0. Connect through a 220nF capacitor to ground. See Figure 3-3 for configuration.
T17	LF2	—	PLL loop filter capacitor for VCO_2. See Figure 3-3 for configuration. Leave NC if not used.
T33	LF0	—	PLL loop filter capacitor for VCO_0. See Figure 3-3 for configuration. Leave NC if not used.
AH17	LF1	—	PLL loop filter capacitor for VCO_1. See Figure 3-3 for configuration. Leave NC if not used.
AH33	LF_DIGITAL	—	PLL loop filter capacitor for VCO_DIGITAL. Connect through a 47nF capacitor to ground. See Figure 3-3 for configuration.
AJ17	LDO1	—	LDO filter capacitor for VCO_1. Connect through a 220nF capacitor to ground. See Figure 3-3 for configuration.
AJ33	LDO_DIGITAL	—	LDO filter capacitor for VCO_DIGITAL. Connect through a 220nF capacitor to ground. See Figure 3-3 for configuration.
Crystal Oscillator			
AE35	REF_CLK_IN	—	Connect a 27MHz crystal between this ball and REF_CLK_OUT. See Section 4.9 and Figure 3-5 .
AF35	REF_CLK_OUT	—	Connect a 27MHz crystal between this ball and REF_CLK_IN. See Section 4.9 and Figure 3-5 . Leave NC if not used.
External Clocks			
R15	EXT_CLK2	I	External CML clock for Pattern Generator 1 (true). Leave NC if not used.
R35	EXT_CLK0	I	External CML clock for Pattern Checker 0 (true). Leave NC if not used.
T15	$\overline{\text{EXT_CLK2}}$	I	External CML clock for Pattern Generator 1 (complement). Leave NC if not used.
T35	$\overline{\text{EXT_CLK0}}$	I	External CML clock for Pattern Checker 0 (complement). Leave NC if not used.
AH15	$\overline{\text{EXT_CLK1}}$	I	External CML clock for Pattern Checker 1 (complement). Leave NC if not used.
AH35	$\overline{\text{EXT_CLK_DIGITAL}}$	I	External CML clock for Pattern Transmitter 0/Digital Core (complement). Leave NC if not used.
AJ15	EXT_CLK1	I	External CML clock for Pattern Checker 1 (true). Leave NC if not used.
AJ35	EXT_CLK_DIGITAL	I	External CML clock for Pattern Transmitter 0/Digital Core (true). Leave NC if not used.
BH45	DIGITAL_CL_SEL	I	Clock select between external clock source (EXT_CLK_DIGITAL) and internal VCO (VCO_DIGITAL). This pin has a weak internal pull-up, and should be pulled LOW to use an external clock.

Table 1-1: Ball Descriptions (Continued)

Ball #	Ball Name	I/O	Description
Temperature Sensors			
E8	DTHERMA3	—	Thermometer 3 diode terminals. See Section 4.8 . Leave NC if not used.
F9	DTHERMK3	—	Thermometer 3 diode terminals. See Section 4.8 . Leave NC if not used.
H45	DTHERMA0	—	Thermometer 0 diode terminals. See Section 4.8 . Leave NC if not used.
J44	DTHERMK0	—	Thermometer 0 diode terminals. See Section 4.8 . Leave NC if not used.
BA6	DTHERMK2	—	Thermometer 2 diode terminals. See Section 4.8 . Leave NC if not used.
BB5	DTHERMA2	—	Thermometer 2 diode terminals. See Section 4.8 . Leave NC if not used.
BD41	DTHERMK1	—	Thermometer 1 diode terminals. See Section 4.8 . Leave NC if not used.
BE42	DTHERMA1	—	Thermometer 1 diode terminals. See Section 4.8 . Leave NC if not used.
Monitors			
A44	$\overline{\text{MON0}}$	O	Serial monitoring output 0 (complement). Leave NC if not used.
A45	MON0	O	Serial monitoring output 0 (true). Leave NC if not used.
BJ5	MON1	O	Serial monitoring output 1 (true). Leave NC if not used.
BJ6	$\overline{\text{MON1}}$	O	Serial monitoring output 1 (complement). Leave NC if not used.
External Pattern Generators			
E1	$\overline{\text{EXT_PG1}}$	I	Serial pattern generator input 1 (complement). Leave NC if not used.
F1	EXT_PG1	I	Serial pattern generator input 1 (true). Leave NC if not used.
BD49	EXT_PG0	I	Serial pattern generator input 0 (true). Leave NC if not used.
BE49	$\overline{\text{EXT_PG0}}$	I	Serial pattern generator input 0 (complement). Leave NC if not used.
Reserved - Do Not Connect			
B45, C44, D7, E2, F3, G46, AL32, AL33, AL34, AL35, AR34, BC4, BD47, BE48, BF43, BG6, BH5,	RSV_DNC	—	Reserved. Do not connect.
SDI/SDO			
Refer to the GX3290 (and family) Crosspoint Ball Guide for a detailed list of SDI and SDO balls.			
Power			
Refer to the GX3290 (and family) Crosspoint Ball Guide for a detailed list of power supply balls.			
Ground			
Refer to the GX3290 (and family) Crosspoint Ball Guide for a detailed list of ground balls.			

2. Electrical Characteristics

2.1 Absolute Maximum Ratings

Table 2-1: Absolute Maximum Ratings

Parameter	Value
Supply Voltage (VDD_18)	-0.3V to +2.1V
Supply Voltage (VCC_IN1, VCC_IN2, VCC_25_A, VDD_25, VDDIO_D, VCC_OUT1, VCC_OUT2, VCC_25_REF_CLK, VCC_25_VCO0, VCC_25_VCO1, VCC_25_VCO2)	-0.3V to +2.8V
Input Voltage Range	-0.3 to (0.3 + min[VCC_IN1, VCC_25_A])V for even numbered SDI inputs and EXT_PG0
	-0.3 to (0.3 + min[VCC_IN2, VCC_25_A])V for odd numbered SDI inputs and EXT_PG1
ESD Voltage (HBM; all balls)	1kV
ESD Voltage (CDM; all balls)	100V
Storage Temperature Range	-50°C to +125°C
Operating Temperature Range	0°C to 85°C
Solder Reflow Temperature	245°C

2.2 Recommended Operating Conditions

Table 2-2: Recommended Operating Conditions

Parameter	Symbol	Min	Typ	Max	Units	Notes
Operating Power Supply	VCC_25_A, VCC_25_REF_CLK	2.375	2.5	2.625	V	1
		1.14	1.2	1.26	V	2
	VCC_IN1, VCC_IN2	1.71	1.8	1.89	V	3
		2.375	2.5	2.625	V	1
		1.14	1.2	1.26	V	2
	VCC_OUT1, VCC_OUT2	1.71	1.8	1.89	V	3
		2.375	2.5	2.625	V	1
	VDD_18	1.71	1.8	1.89	V	3
	VDDIO_D	1.71	1.8	1.89	V	3
		2.375	2.5	2.625	V	1
	VDD_25	2.375	2.5	2.625	V	1
	Operating Temperature Range (case)	T _{OP}	0	25	85	°C
Start-up Temperature Range	T _{SU}	-40	—	85	°C	—

Notes:

1. 2.5V supply.
2. 1.2V supply.
3. 1.8V supply.

2.3 DC Electrical Characteristics

Table 2-3: DC Electrical Characteristics

Parameter	Symbol	Conditions	Min	Typ	Max	Units	Note
System							
		All channels active, VCC_IN[1,2] = VCC_OUT[1,2] = 1.2V±5%, ΔV _{OD} = 200mV, ΔV _{SDI} = 800mVppd, de-emphasis=6, without Pattern Generator/Checker, AC-coupled	—	31.51	42	W	1
		All channels active, VCC_IN[1,2] = VCC_OUT[1,2] = 1.2V±5%, ΔV _{OD} = 400mV, ΔV _{SDI} = 800mVppd, de-emphasis=6, without Pattern Generator/Checker, AC-coupled	—	35.94	—	W	1
Power	P	All channels active, VCC_IN[1,2] = VCC_OUT[1,2] = 2.5V±5%, ΔV _{OD} = 800mV, ΔV _{SDI} = 800mVppd, de-emphasis=6, without Pattern Generator/Checker, AC-coupled	—	41.86	53	W	1
		All channels active, VCC_IN[1,2] = VCC_OUT[1,2] = 2.5V±5%, ΔV _{OD} = 1200mV, ΔV _{SDI} = 800mVppd, de-emphasis=6, without Pattern Generator/Checker, AC-coupled	—	46.82	58.5	W	1
		PRBS Generator/Checker	—	1.86	—	W	—
Power in Reset Mode	P	RESET _̄ = 0	—	0.5	—	W	—
Current - VCC_25_A	ICC_25_A	With de-emphasis, without Pattern Generator/Checker	—	13.4	15.8	A	—
		Without de-emphasis, without Pattern Generator/Checker	—	12.4	—	A	—

Table 2-3: DC Electrical Characteristics (Continued)

Parameter	Symbol	Conditions	Min	Typ	Max	Units	Note
Current - VCC_IN1	ICC_IN1	All inputs active, $\Delta V_{SDI} = 1.2V_{ppd}$, DC-coupled	—	0.85	—	A	2
		All inputs active, $\Delta V_{SDI} = 1.2V_{ppd}$, AC-coupled	-0.2	—	0	A	3
Current - VCC_IN2	ICC_IN2	All inputs active, $\Delta V_{SDI} = 1.2V_{ppd}$, DC-coupled	—	0.85	—	A	2
		All inputs active, $\Delta V_{SDI} = 1.2V_{ppd}$, AC-coupled	-0.2	—	0	A	3
Current - VCC_OUT1	ICC_OUT1	VCC_OUT1 = 1.2V $\pm 5\%$, all outputs active, $\Delta V_{OD} = 200mV$, with De-emphasis	—	0.31	0.38	A	4
		VCC_OUT1 = 1.2V $\pm 5\%$, all outputs active, $\Delta V_{OD} = 400mV$, with De-emphasis	—	0.59	—	A	4
		VCC_OUT1 = 1.2V $\pm 5\%$, all outputs active, $\Delta V_{OD} = 800mV$, with De-emphasis	—	1.11	—	A	4, 5
		VCC_OUT1 = 2.5V $\pm 5\%$, all outputs active, $\Delta V_{OD} = 200mV$, with De-emphasis	—	0.33	—	A	4
		VCC_OUT1 = 2.5V $\pm 5\%$, all outputs active, $\Delta V_{OD} = 400mV$, with De-emphasis	—	0.59	—	A	4
		VCC_OUT1 = 2.5V $\pm 5\%$, all outputs active, $\Delta V_{OD} = 800mV$, with De-emphasis	—	1.22	1.55	A	4
		VCC_OUT1 = 2.5V $\pm 5\%$, all outputs active, $\Delta V_{OD} = 1200mV$, with De-emphasis	—	1.63	2.13	A	4

Table 2-3: DC Electrical Characteristics (Continued)

Parameter	Symbol	Conditions	Min	Typ	Max	Units	Note
Current - VCC_OUT2	ICC_OUT2	VCC_OUT2 = 1.2V ±5%, all outputs active, ΔV _{OD} = 200mV, with De-emphasis	—	0.31	0.38	A	4
		VCC_OUT2 = 1.2V ±5%, all outputs active, ΔV _{OD} = 400mV, with De-emphasis	—	0.59	—	A	4
		VCC_OUT2 = 1.2V ±5%, all outputs active, ΔV _{OD} = 800mV, with De-emphasis	—	1.11	—	A	4,5
		VCC_OUT2 = 2.5V ±5%, all outputs active, ΔV _{OD} = 200mV, with De-emphasis	—	0.33	—	A	4
		VCC_OUT2 = 2.5V ±5%, all outputs active, ΔV _{OD} = 400mV, with De-emphasis	—	0.59	—	A	4
		VCC_OUT2 = 2.5V ±5%, all outputs active, ΔV _{OD} = 800mV, with De-emphasis	—	1.22	1.55	A	4
		VCC_OUT2 = 2.5V ±5%, all outputs active, ΔV _{OD} = 1200mV, with De-emphasis	—	1.63	2.13	A	4
Current - VCC_25_REF_CLK	ICC_25_REF_CLK	—	—	20	40	mA	—
Current - VCC_VCO_DIGITAL	ICC_VCO_DIGITAL	—	—	6	10	mA	—
Current - VCC_25_VCO0	ICC_25_VCO0	—	—	6	10	mA	—
Current - VCC_25_VCO1	ICC_25_VCO1	—	—	6	10	mA	—
Current - VCC_25_VCO2	ICC_25_VCO2	—	—	6	10	mA	—
Current - VDD_18	IDD_18	VDD_18 = 1.8V±5%	—	260	750	mA	—
Current - VDD_25	IDD_25	VDD_25 = 2.5V±5%	—	20	40	mA	—
Current - VDDIO_D	IDDIO_D	VDDIO_D = 1.8V±5%, all inputs active (15pF load)	—	50	100	mA	—
		VDDIO_D = 2.5V±5%, all inputs active (15pF load)	—	70	140	mA	—

Table 2-3: DC Electrical Characteristics (Continued)

Parameter	Symbol	Conditions	Min	Typ	Max	Units	Note
High-speed Inputs/Outputs							
Serial Input Termination	—	Differential	—	100	—	Ω	6
		Single-ended	—	50	—	Ω	
Serial Output Termination	—	Differential	—	100	—	Ω	—
Serial Input Common Mode Voltage	V_{ICM}	$VCC_IN[1,2] = 1.2V \pm 5\%$, $VCC_IN[1,2] = 1.8V \pm 5\%$, $VCC_IN[1,2] = 2.5V \pm 5\%$, terminated to $VCC_IN[1,2]$	$VCC_IN[1,2] - (\Delta V_{SDI_max}/4)$	—	$VCC_IN[1,2] - (\Delta V_{SDI_min}/4)$	V	7, 8, 9, 10
Serial Output Common Mode Voltage	V_{OCM}	$VCC_OUT[1,2] = 1.2V \pm 5\%$, $VCC_OUT[1,2] = 1.8V \pm 5\%$, $VCC_OUT[1,2] = 2.5V \pm 5\%$	$VCC_OUT[1,2] - (\Delta V_{OD_max}/4)$	—	$VCC_OUT[1,2] - (\Delta V_{OD_min}/4)$	V	—
Host Interface							
Logic HIGH voltage on digital input pins	V_{IH}	—	$0.7 \times VDDIO_D$	—	$VDDIO_D + 0.3$	V	11
Logic LOW voltage on digital input pins	V_{IL}	—	-0.3	—	$0.3 \times VDDIO_D$	V	11
Output Logic LOW	V_{OL}	$I_{OL} = 2mA$, 2.5V operation	—	—	0.7	V	11
		$I_{OL} = 2mA$, 1.8V operation	—	—	0.45	V	11
Output Logic HIGH	V_{OH}	$I_{OH} = -2mA$, 2.5V operation	1.7	—	—	V	11
		$I_{OH} = -2mA$, 1.8 operation	1.35	—	—	V	11

Notes:

- Total Maximum Power is lower than individual maximum currents multiplied by individual maximum supply voltages because the individual maximum currents can not occur simultaneously (they occur at different conditions).
- The ICC_IN1 and ICC_IN2 current flows out of the GX3190 and into the input signal source, and is subject to variability in that source. Some variability in input signal source current draw should be assumed, and up to $\pm 15\%$ is possible.
- When the common mode termination points for AC-coupled inputs are connected to VCC_IN1 , VCC_IN2 , the GX3190 equalizer input bias currents can lead to current flowing out of the VCC_IN1 , VCC_IN2 supply pins.
- Currents apply for output DC-coupled applications. When AC-coupled, the current draw may be increased by up to 2x.
- For DC-coupled applications only.
- Input termination is selectable between 100 Ω differential and 50 Ω single-ended. See Section 3. [Input/Output Equivalent Circuits](#).
- DC common mode current into/out of each EQ input differential pair should not exceed 14mA, and the current into/out of each half of the differential pair should not exceed 14mA.
- No more than $VCC_IN[1,2] - \Delta V_{SDI_actual}/4$.
- Where it is understood that $VCC_IN[1,2]$ have a $\pm 5\%$ tolerance.
- In no case should either side of the input differential pair be allowed to rise above $VCC_25_A + 0.3V$ or fall below -0.3V.
- Specifications relate to all host interface pins.

2.4 AC Electrical Characteristics

Table 2-4: AC Electrical Characteristics

Parameter	Symbol	Conditions	Min	Typ	Max	Units	Notes
System							
Serial Input Data Rate	DR _{SDO}	—	—	—	3.5	Gb/s	—
Propagation Delay	t _p	—	—	—	6	ns	1
Propagation Delay Difference	Δt _p	Between any two channels	—	—	5.5	ns	1
High-speed Inputs/Outputs							
Output Switch Time using Update Enable Strokes	—	—	0.9	—	1.8	μs	2
Input Voltage Swing	ΔV _{SDI}	—	100	—	1200	mVppd	—
Output Voltage Swing	ΔV _{OD}	VCC_OUT[1,2] = 1.2V±5%, Output = 200mVppd	150	225	300	mVppd	—
		VCC_OUT[1,2] = 1.2V±5%, Output = 400mVppd	300	450	600	mVppd	—
		VCC_OUT[1,2] = 1.2V±5%, Output = 800mVppd	600	900	1200	mVppd	3
		VCC_OUT[1,2] = 1.8V±5%, Output = 200mVppd	150	225	300	mVppd	—
		VCC_OUT[1,2] = 1.8V±5%, Output = 400mVppd	300	450	600	mVppd	—
		VCC_OUT[1,2] = 1.8V±5%, Output = 800mVppd	600	900	1200	mVppd	—
		VCC_OUT[1,2] = 2.5V±5%, Output = 200mVppd	150	225	300	mVppd	—
		VCC_OUT[1,2] = 2.5V±5%, Output = 400mVppd	300	450	600	mVppd	—
		VCC_OUT[1,2] = 2.5V±5%, Output = 800mVppd	600	900	1200	mVppd	—
		VCC_OUT[1,2] = 2.5V±5%, Output = 1200mVppd	1000	1350	1700	mVppd	—
Output Rise/Fall Time	t _r /t _f	All output swings. 20% to 80%.	—	—	150	ps	—
Duty Cycle Distortion	—	All data rates, all output swings.	-50	—	+50	ps	—
Additive Jitter	—	All inputs active, peak-to-peak (PRBS 31)	—	—	60	ps _{p-p}	—
Input Trace Equalization	—	—	0	—	12	dB	4
Output De-Emphasis	—	Range	0	—	11.2	dB	4
		Maximum Setting	9	—	—	dB	

Table 2-4: AC Electrical Characteristics (Continued)

Parameter	Symbol	Conditions	Min	Typ	Max	Units	Notes
Host Interface							
Parallel Rate of Operation	—	—	0.1	—	112.5	Mop/s	5, 6, 7
Serial Interface Operating Speed	—	—	0.1	—	25	MHz	5, 8

Notes:

1. See [Section 4.4](#) for more details.
2. This parameter is the time it takes for the outputs to change to a new switch matrix configuration when the corresponding strobe signal assigned to that output is asserted.
3. DC-coupled.
4. Selectable, maximum gain occurs at 3Gb/s (or 1.5GHz).
5. Specifications relate to all host interface pins.
6. Millions of operations per second.
7. For detailed timing specifications, see [Section 4.12.1](#).
8. For detailed timing specifications, see [Section 4.12.2](#).

3. Input/Output Equivalent Circuits

Note: Please refer to the following supplementary documents: [Crosspoint Design Guide](#) and [EB-GX3290 Schematics, PCB Layout and Bill of Materials](#).

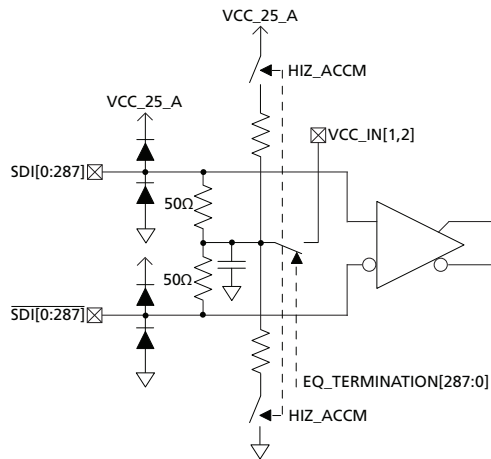


Figure 3-1: Equalizer Input Equivalent Circuit (includes the EXT_PG0 & EXT_PG1 inputs)

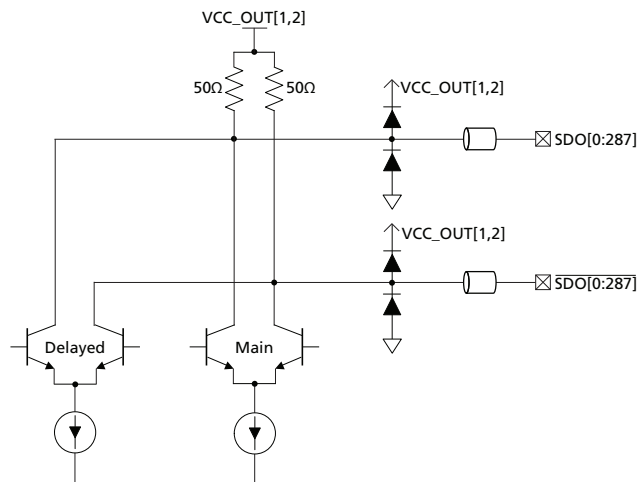
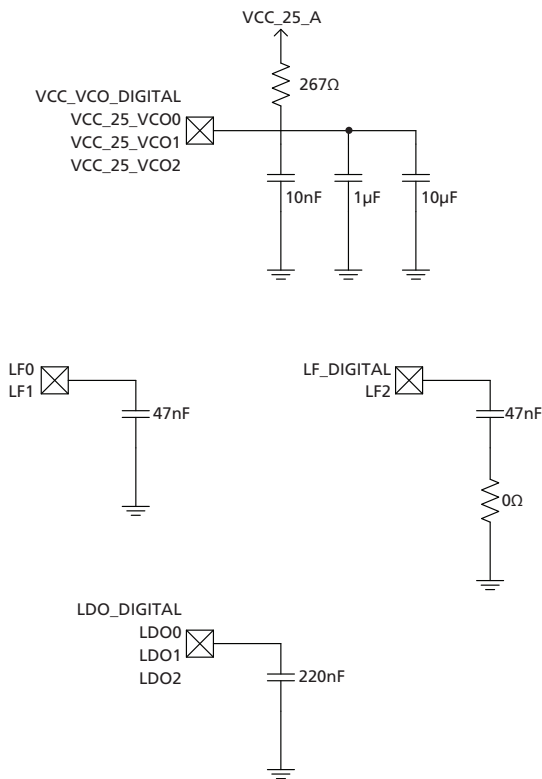


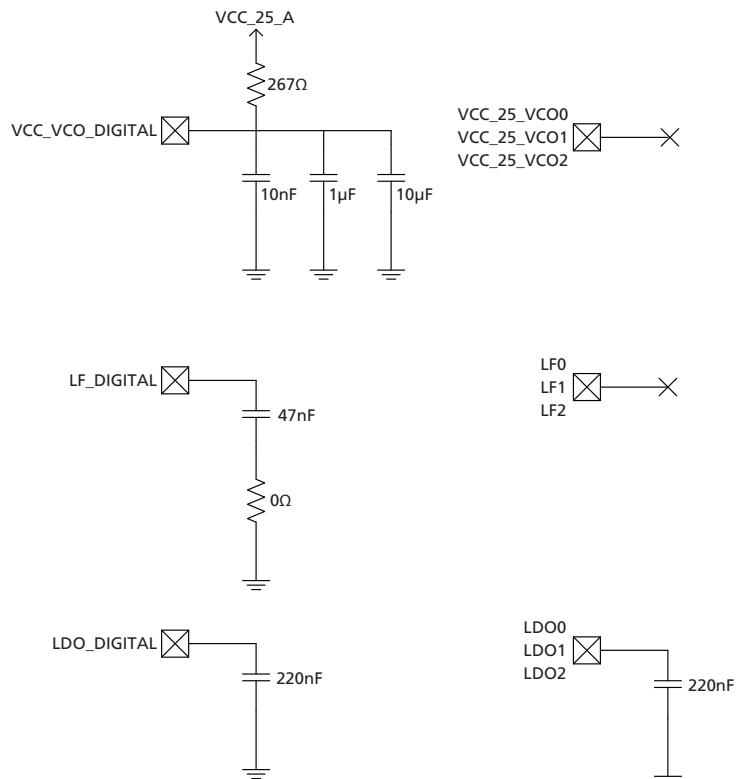
Figure 3-2: Trace Driver Output Equivalent Circuit (includes the MON0 & MON1 outputs)

Note: the MON0 and MON1 outputs are terminated to the VCC_25_A supply.

If the internal temperature ADCs, pattern generators, and checkers are used, these connections are required.



If the internal temperature ADCs, pattern generators, and checkers are not used, only these connections are required.



Note 1: Each of the VCC_VCO_DIGITAL, VCC_VCO0, VCC_VCO1, and VCC_VCO2 pins require an independent RC network.

Note 2: The LF_DIGITAL and LF2 pins each require an independent RC network.

Note 3: The LF0 and LF1 pins each require an independent capacitor to ground.

Note 4: Each of the LDO_DIGITAL, LDO0, LDO1, and LDO2 pins require an independent capacitor to ground.

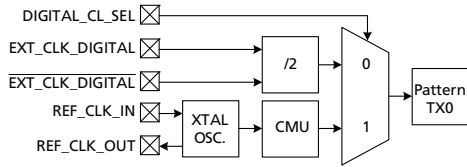
Note 5: VCC_VCO_DIGITAL, LF_DIGITAL and LDO_DIGITAL used for pattern generator TX0, digital communication (GSPi and APPI), and the internal temperature ADC for JNCTN_TEMP_1. VCC_VCO_DIGITAL, LF_DIGITAL and LDO_DIGITAL must always be connected.

Note 6: VCC_25_VCO0, LF0, LDO0 used for pattern checker RX0 and the internal temperature ADC for JNCTN_TEMP_0. If VCC_25_VCO0, LF0, and LDO0 are not connected, pattern checker RX0 and the internal temperature ADC for JNCTN_TEMP_0 will not operate.

Note 7: VCC_25_VCO1, LF1, LDO1 used for pattern checker RX1 and the internal temperature ADC for JNCTN_TEMP_2. If VCC_25_VCO1, LF1, and LDO1 are not connected, pattern checker RX1 and the internal temperature ADC for JNCTN_TEMP_2 will not operate.

Note 8: VCC_25_VCO2, LF2, LDO2 used for pattern generator TX1 and the internal temperature ADC for JNCTN_TEMP_3. If VCC_25_VCO2, LF2, and LDO2 are not connected, pattern generator TX1 and the internal temperature ADC for JNCTN_TEMP_3 will not operate.

Figure 3-3: Required connections for VCC_VCO_DIGITAL, VCC_25_VCO0, VCC_25_VCO1, VCC_25_VCO2, LF_DIGITAL, LF0, LF1, LF2, LDO_DIGITAL, LDO0, LDO1 and LDO2



Note: The clock used to drive Pattern Generator TX0 is also used to derive the clock timing for the digital core. Therefore, GSPI/APPI interface timing and update timing will track the external clock frequency if one is selected from the EXT_CLK_DIGITAL/EXT_CLK_DIGITAL pins for Pattern Generator TX0.

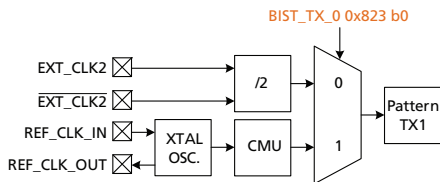
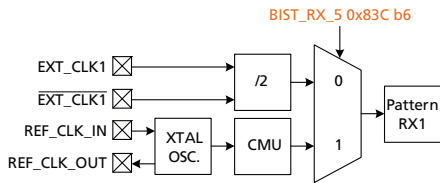
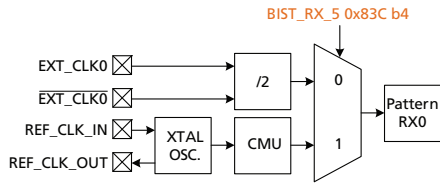
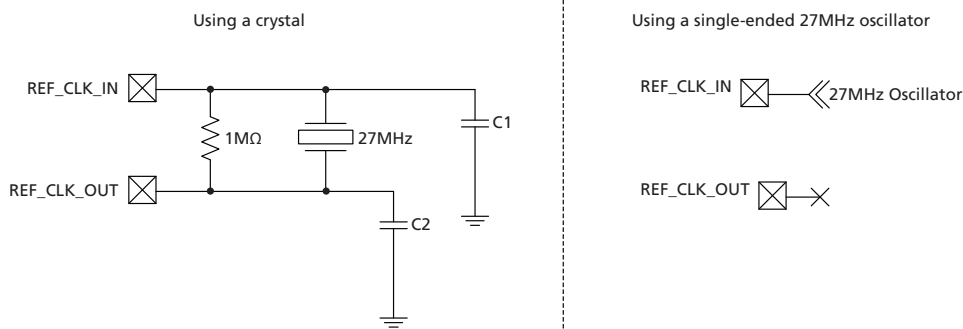


Figure 3-4: PRBS Generator/Checker Clock Selection



Note: The value of the C1 and C2 load capacitors are dependent on the chosen crystal.

Figure 3-5: Crystal Oscillator

4. Detailed Description

4.1 Serial Data Input

Each of the GX3190 SDI inputs provide on-chip 100Ω differential terminations. Each is compatible with input differential amplitudes from 100mVppd to 1200mVppd, and input signal sources having CML outputs referred to DC supplies of 1.2V, 1.8V or 2.5V. Note that for AC-coupled inputs, the recommended supply voltage for VCC_IN1 and VCC_IN2 is 1.8V.

Each of the 146 SDI input channels include frequency domain equalization, independently-programmable to one of four levels, to compensate from 0 to 47 inches (119 cm) of FR4 trace at 3Gb/s. The boost at the 1.5GHz Nyquist frequency, and recommended trace length range, are shown under EQ_BOOST[287:0], EXT_PG0_EQ_BOOST, EXT_PG1_EQ_BOOST in Table 4-1. See Figure 3-1.

Each input can be powered-down independently using the corresponding EQ_POWERDOWN[287:0] or EXT_PG0_EQ_POWERDOWN or EXT_PG1_EQ_POWERDOWN bit.

To accommodate input signal sources with 1.2V supplies and 1200mVppd signal amplitudes, the input common mode point should be terminated to the respective VCC_IN1 or VCC_IN2 supply.

The common mode termination connection to the respective VCC_IN1 or VCC_IN2 supply of each input can be independently controlled using the EQ_TERMINATION[287:0] or EXT_PG0_EQ_TERMINATION or EXT_PG1_EQ_TERMINATION bit (see Figure 3-1 and Table 4-1).

Note 1: When the HIZ_ACCM bit is set (register address 0x400h bit 0), inputs with their common mode termination not connected to VCC_IN1 or VCC_IN2 are connected to an internal common mode bias.

When an input EQ is powered-down, its common mode termination is automatically disconnected from the corresponding VCC_IN1 or VCC_IN2.

For each of the inputs, there are control parameters (register address 0x401h to 0x522h). See Table 4-1 below.

Note 2: The EXT_PG01_SOURCE_PIN_PRBSB and EXT_PG1_SOURCE_PIN_PRBSB bits in the TEST_SETUP register must be set to connect the EXT_PG0 and EXT_PG1 pins to the matrix.

Table 4-1: Serial Data Input

EQ_BOOST[287:0], EXT_PG0_EQ_BOOST and EXT_PG1_EQ_BOOST bits 1:0 (binary)	Boost Applied (@ nominal 1.5GHz)	
00	0dB boost	0" to 6" (15 cm) trace
01	3.5dB boost	6" (15 cm) to 16" (40 cm) trace
10	7.6dB boost	16" (40 cm) to 35" (89 cm) trace

Table 4-1: Serial Data Input (Continued)

EQ_BOOST[287:0], EXT_PG0_EQ_BOOST and EXT_PG1_EQ_BOOST bits 1:0 (binary)	Boost Applied (@ nominal 1.5GHz)	
11	12dB boost	35" (89 cm) to 47" (119 cm) trace
EQ_TERMINATION[287:0], EXT_PG0_EQ_TERMINATION and EXT_PG1_EQ_TERMINATION bits 3:3	Input Termination Common Mode Point Switch to VCC_IN_1, VCC_IN_2	
0	Open (see Figure 3-1)	
1	Closed (see Figure 3-1)	
EQ_POWERDOWN[287:0], EXT_PG0_EQ_POWERDOWN and EXT_PG1_EQ_POWERDOWN bits 4:4	Equalizer Power	
0	On	
1	Off	

4.2 Serial Data Output

Each of the GX3190 SDI outputs have two on-chip 50Ω single-ended terminations, and can be programmed to output differential amplitudes of 200mVppd, 400mVppd or 800mVppd when the corresponding VCC_OUT1 or VCC_OUT2 is connected to either 1.2V or 1.8V, or 200mVppd, 400mVppd, 800mVppd, or 1200mVppd when the corresponding VCC_OUT1 or VCC_OUT2 is connected to 2.5V. The selection of the output swing is made using the corresponding OUTPUT_SWING_SET[287:0], MON0_OUTPUT_SWING_SET or MON1_OUTPUT_SWING_SET bits, shown in Table 4-3.

If the HIGH_OP_V bit is set when either the VCC_OUT1 or VCC_OUT2 supplies are 1.2V or 1.8V, the 800mVppd swing setting is no longer valid for that output bank. Swing settings for an output bank connected to a 2.5V supply are unaffected.

Table 4-2: HIGH_OP_V Swing Selection

VCC_OUTx Supply Voltage (V)	HIGH_OP_V = 0	HIGH_OP_V = 1	Note
	Valid Output Swing Selection (mVppd)	Valid Output Swing Selection (mVppd)	
1.2	200, 400, 800	200, 400	1
1.8	200, 400, 800	200, 400	—

Table 4-2: HIGH_OP_V Swing Selection (Continued)

VCC_OUTx Supply Voltage (V)	HIGH_OP_V = 0	HIGH_OP_V = 1	Note
	Valid Output Swing Selection (mVppd)	Valid Output Swing Selection (mVppd)	
2.5	200, 400, 800	200, 400, 800, 1200	2

Notes:

1. For an 800mVppd output swing when the corresponding VCC_OUT1 or VCC_OUT2 is connected to 1.2V, the output must be DC-coupled to a receiving device terminated to 1.2V.
2. When VCC_OUT1 or VCC_OUT2 is set to 2.5V, the HIGH_OP_V bit must be set to enable 1200mVppd swing selection.

Each of the 290 SDI output channels provide independently programmable de-emphasis, to compensate from 0 to 47 inches (119 cm) of FR4 trace at 3Gb/s. The selection of the amount of output de-emphasis is made using the corresponding OUTPUT_DEEMPHASIS[287:0], MON0_OUTPUT_DEEMPHASIS or MON1_OUTPUT_DEEMPHASIS bits, shown in Table 4-3.

Each output can be independently powered-down by the setting of the corresponding bit: ACTIVE_POWER_DOWN[287:0], DYNAMIC_POWER_DOWN[287:0] together with the assigned strobe, MON0_POWER_DOWN, or MON1_POWER_DOWN.

The polarity of the signal at each output can be independently inverted by setting the corresponding bit: ACTIVE_SIGNAL_INVERT[287:0], DYNAMIC_SIGNAL_INVERT[287:0] together with the assigned strobe, MON0_SIGNAL_INVERT, or MON1_SIGNAL_INVERT.

Table 4-3: Serial Data Output

OUTPUT_SWING_SET[287:0], MON0_OUTPUT_SWING_SET and MON1_OUTPUT_SWING_SET bits 2:0 (binary)	Output Swing
000	200mVppd
001	400mVppd
011	800mVppd
110	1200mVppd
111	Reserved. Do not use.
OUTPUT_DEEMPHASIS[287:0], MON0_OUTPUT_DEEMPHASIS and MON1_OUTPUT_DEEMPHASIS bits 5:3 (binary)	Level of De-emphasis
000	Off
100	12" (30 cm) nominal
101	24" (60 cm) nominal
110	36" (90 cm) nominal
111	48" (120 cm) nominal

Table 4-3: Serial Data Output (Continued)

ACTIVE_SIGNAL_INVERT[287:0], DYNAMIC_SIGNAL_INVERT[287:0], MON0_SIGNAL_INVERT or MON1_SIGNAL_INVERT	Status
0	Not inverted
1	Inverted

ACTIVE_POWER_DOWN[287:0], DYNAMIC_POWER_DOWN[287:0], MON0_POWER_DOWN or MON1_POWER_DOWN	Status
0	On
1	Off

4.3 Crosspoint Switch Matrix Operation

The crosspoint switch matrix routes the serial digital input signals ($\overline{\text{SDI}}[0:287]/\overline{\text{SDI}}[0:287]$, $\overline{\text{EXT_PG0}}/\overline{\text{EXT_PG0}}$ or $\overline{\text{EXT_PG1}}/\overline{\text{EXT_PG1}}$) to one or more serial digital outputs ($\overline{\text{SDO}}[0:287]/\overline{\text{SDO}}[0:287]$, $\overline{\text{MON0}}/\overline{\text{MON0}}$ or $\overline{\text{MON1}}/\overline{\text{MON1}}$). The matrix is configured on a per output basis. Each serial digital output can be configured to accept a signal from one serial digital input. Multiple serial digital outputs can accept input from the same serial digital input.

Updates to the switch matrix take place as soon as they are written to the host interface when controlling the device through the ACTIVE Configuration and Status Registers. These registers are the ACTIVE[287:0], MON0, and MON1 registers found in Section 2 of the [Crosspoint \(GX3290 and family\) Reference Manual \(for CSRs\)](#) document.

Before the ACTIVE[287:0], MON0, and MON1 registers at addresses 0x200h through 0x321h can be directly used to update the crosspoint switch matrix, an initialization procedure is required. One of the UPDATE_EN[7:0] pins needs to be toggled from a low state to a high state, and back to a low state again.

Alternatively, set the SOFTWARE_UPDATE_ENABLE bit in the CONTROL_SETUP register at address 0xA00h to a value of 1, and then toggle one of the SOFT_UPDATE_EN[7:0] bits in the SOFT_UPDATE_CONTROL register at address 0xA01h from a value of 0 to a value of 1, and then back to a value of 0.

If the ACTIVE[287:0], MON0, and MON1 registers are not being directly written by the system controller, this procedure is not required. Reading from the ACTIVE[287:0], MON0, and MON1 registers will work regardless of whether or not the above procedure is executed.

Updating the crosspoint switch matrix using the DYNAMIC[287:0] registers (discussed below) does not require the initialization procedure described above.

The switch matrix can also be updated using double-buffering when controlling the device through the DYNAMIC Configuration and Status Registers. These registers are DYNAMIC[287:0] in Section 1 of the [Crosspoint \(GX3290 and family\) Reference Manual \(for CSRs\)](#) document.

When using dynamic configuration, updates to the switch matrix are first written to the **DYNAMIC[287:0]** registers where they are held until the corresponding update strobe signal, selected using the **UPDATE_SELECT[287:0]** bits in the **DYNAMIC[287:0]** registers, changes state from LOW-to-HIGH.

The source for the update strobes can either be via external pins (**UPDATE_EN[7:0]**) or register bits (**SOFT_UPDATE_EN[7:0]**) as selected by the setting of the **SOFTWARE_UPDATE_ENABLE** bit in the **CONTROL_SETUP** register. Setting the **SOFTWARE_UPDATE_ENABLE** bit LOW causes the device to use the external **UPDATE_EN[7:0]** pins as update strobes for the switch matrix. Setting the **SOFTWARE_UPDATE_ENABLE** bit HIGH causes the device to use the **SOFT_UPDATE_EN[7:0]** bits as update strobes for the switch matrix. See Section 6 of the [Crosspoint \(GX3290 and family\) Reference Manual \(for CSRs\)](#) document.

When the selected update strobe signal (or bit) transitions from LOW-to-HIGH, the state of all the outputs configured to respond to that update strobe signal (or bit) are updated at that time.

Regardless of which register set is used to configure the switch matrix, the current configuration of the matrix is always available by reading back the **ACTIVE[287:0]** registers.

Note: The MON0 and MON1 outputs can not be powered up/down, switched, or polarity inverted dynamically (Dynamic Configuration). They can only be configured in the Active Configuration mode described above using the settings in registers 0x320h and 0x321h, respectively. Also, the MON0 and MON1 outputs are terminated to the VCC_25_A supply.

4.4 Propagation Delay

The propagation delay is dependent on the path that the signal takes through the device. Although the delay difference from the shortest path to the longest path could be up to 5.5ns, this difference is at a minimum for connections from inputs numerically close together and on the same side of the device to outputs that are numerically close together and on the same side of the device. Propagation delay differences of less than 750ps can be expected when the inputs are adjacent in the ballout and the outputs are also adjacent in the ballout.

Note: The 750ps propagation delay difference (skew) between physically adjacent channels is guaranteed by simulation.

4.5 Using Multiple Strobes

The GX3190 has eight fully-independent update strobes.

Outputs 287 to 0 can be assigned to one of the eight strobes through the setting of the **UPDATE_SELECT** bits in the corresponding **DYNAMIC[287:0]** register. The input signal selection, output power switching and signal inversion will take effect on the LOW-to-HIGH edge of its assigned strobe signal or bit. This allows different portions of the crosspoint to be switched at different points in time. This is particularly useful in systems supporting multiple data or video formats, where the switch point/time varies from format to format.

4.6 Pattern Generator and Pattern Checker

4.6.1 Pattern Generator

Note 1: There are two pattern generator “Tx” blocks in the GX3190. In the following, wherever only TX0 is mentioned, the corresponding is also true for TX1.

Note 2: When the PRBS Generator is disabled, the generated signal does not completely terminate. The PRBS polynomial bits must be re-written in order to terminate the signal.

The two pattern generator “Tx” blocks in the GX3190 can each independently generate PRBS 2^7-1 , PRBS $2^{15}-1$, and PRBS $2^{23}-1$ data patterns, or alternating 1's and 0's. The built-in clock multiplier PLLs independently synthesize rates of 270Mb/s and 2.97Gb/s from the required, external 27MHz reference clock (see Section 4.9). Other rates up to 3Gb/s can be generated by providing an external clock signal at 2x, 4x, or 22x the desired bit rate to TX1, with a maximum external clock frequency of 6GHz.

Table 4-4: Tx External Clocks

TX0	TX1
EXT_CLK_DIGITAL (AJ35)	EXT_CLK2 (R15)
EXT_CLK_DIGITAL (AH35)	EXT_CLK2 (T15)

While this facility exists for both TX0 and TX1, the user is cautioned that the digital core clock is derived from the TX0 data clock, and therefore interface and update timing will track the external clock frequency if one is provided to TX0.

The pattern generators are enabled by the TX0_PRBS_GEN_ENABLE and TX1_PRBS_GEN_ENABLE bits (register address 0x802h, bits [1:0] respectively).

The PRBS generating polynomials used are:

1. PRBS7: $x^7 + x^6 + 1$
2. PRBS15: $x^{15} + x^{14} + 1$
3. PRBS23: $x^{23} + x^{18} + 1$

The pattern generated is selected via the TX0_PRBS_POLYNOMIAL and TX1_PRBS_POLYNOMIAL bits (register address 0x800h and 0x801h respectively).

Table 4-5: Generated Patterns

TX0_PRBS_POLYNOMIAL[1:0] (binary)	Pattern Generated
00	PRBS7
01	PRBS15
10	PRBS23
11	Square Wave

4.6.2 Pattern Checker

The pattern checkers de-serialize incoming serial data before checking for errors in the parallel domain. Three comparison modes are supported:

1. **Neutral Phase Comparison Mode.** The incoming data is re-timed in a CDR, and sampled at the neutral (eye center) phase recovered by the CDR before de-serialization. Errors with respect to the supported PRBS sequences can be counted.
2. **Offset Phase Comparison Mode.** The phase at which the incoming data is sampled with respect to the recovered clock is adjustable over a full UI. Errors with respect to the supported PRBS sequences can be counted. By sweeping the sampling phase and counting errors at each phase, an error rate “bathtub curve” can be recorded, and the horizontal eye opening evaluated.
3. **Arbitrary Data Comparison Mode.** This mode can operate on arbitrary data patterns. The incoming serial data is sampled at both the neutral phase and the adjustable phase, and each of the two sampled data streams is de-serialized and the two streams are compared in the parallel domain.

The pattern checker allows a true measurement of bit error rate for the supported PRBS sequences in the first two modes above. The third, arbitrary data comparison mode, gives an indication of the degree of eye closure at a given sampling phase offset, but cannot detect bit errors in the incident data. See [Figure 4-1](#) and [Figure 4-2](#) below.

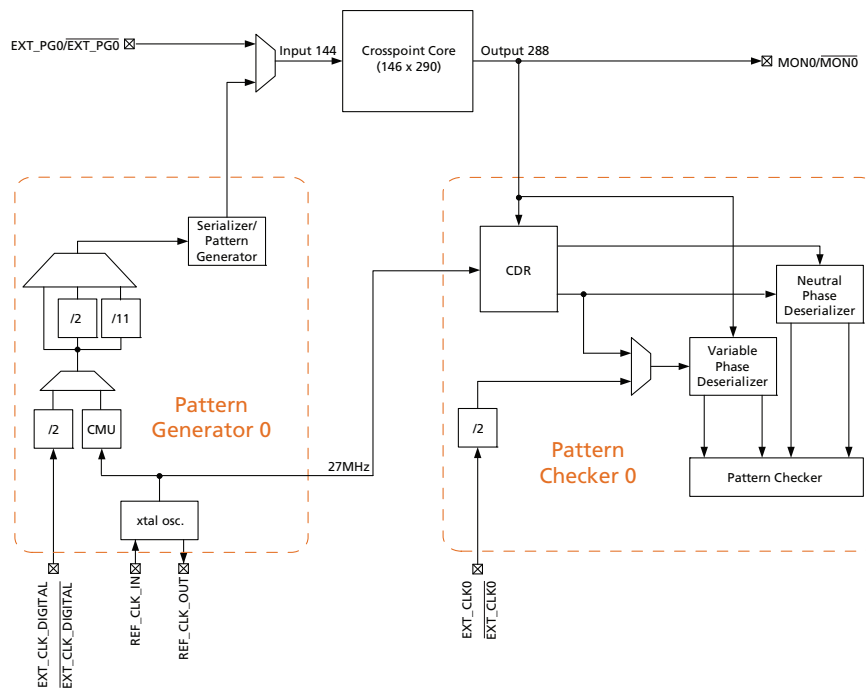


Figure 4-1: Simplified Pattern Generator/Checker Zero Block Diagram

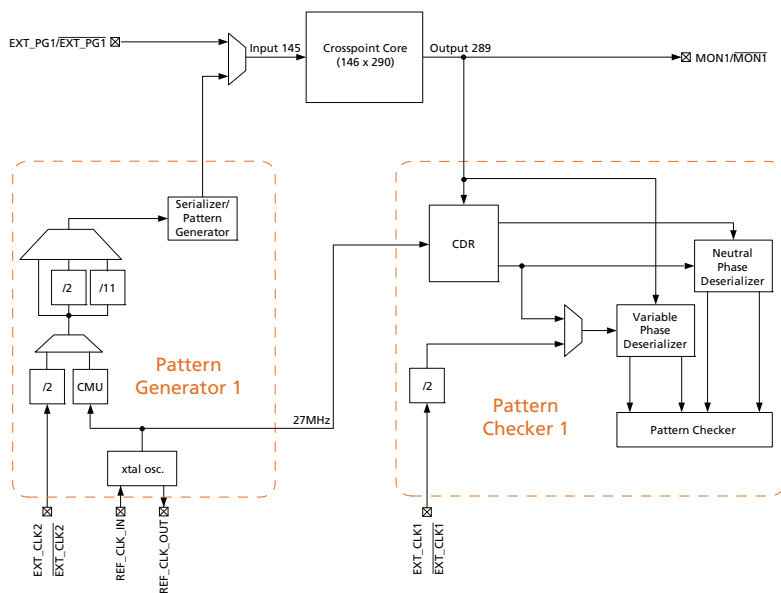


Figure 4-2: Simplified Pattern Generator/Checker One Block Diagram

Note: There are two pattern checker “Rx” blocks in the GX3190. In the following, wherever only RX0 is mentioned, the corresponding is also true for RX1.

The CDR integrated in each Rx block can independently lock to data at rates of 270Mb/s, 1.485Gb/s and 2.97Gb/s. Other rates up to 3Gb/s can be analyzed by providing an external clock signal of 2x, 4x, or 22x the desired bit rate, with a maximum external clock frequency of 6GHz. Note that retiming is not possible when using an external clock signal for the Rx block. The external clock must be synchronous with any data to be checked and the RX0_PRBS_CHK_MODE bits must be set to a value of '01'. The two pattern checker “Rx” blocks in the GX3190 can each independently check PRBS 2^7-1 , PRBS $2^{15}-1$, and PRBS $2^{23}-1$ data patterns.

Table 4-6: Rx External Clocks

RX0	RX1
EXT_CLK0 (R35)	EXT_CLK1 (AJ15)
$\overline{\text{EXT_CLK0}}$ (T35)	$\overline{\text{EXT_CLK1}}$ (AH15)

The error checking modes are selected by the RX0_PRBS_CHK_MODE bits and the RX1_PRBS_CHK_MODE bits (addresses 0x804h and 0x810h respectively).

Table 4-7: Checking Modes

RX0_PRBS_CHK_MODE[1:0] (binary)	Input Mode
00	Check data sampled at neutral phase
01	Check data sampled at adjustable phase
10 or 11	Compare nominally sampled data with phase offset data (allows eye monitoring of arbitrary patterns)

The pattern checker will check for the PRBS pattern specified by the RX0_PRBS_POLYNOMIAL and RX1_PRBS_POLYNOMIAL bits (addresses 0x803h and 0x811h respectively).

The PRBS checkers are enabled by the RX0_PRBS_ENABLE and RX1_PRBS_ENABLE bits (register address 0x81Dh[1:0]).

Table 4-8: Checked Patterns

RX0_PRBS_POLYNOMIAL[1:0] (binary)	Pattern Checked
00	PRBS7
01	PRBS15
10	PRBS23

The incident data can be inverted before checking by setting the corresponding RX0_INVERT_PRBS_IN or RX1_INVERT_PRBS_IN bit (address 0x803h[2:2] and 0x811h[2:2]) to '1'.

The number of words to be compared is selectable via the corresponding RX0_PRBS_BER_TIME and RX1_PRBS_BER_TIME bits (registers 0x80Ah and 0x817h).

Table 4-9: Compared Words

RX0_PRBS_BER_TIME[3:0] (binary)	Number of words* compared (decimal)
0000	Infinite
0001	13
0010	26
0011	3277
0100	6554
0101	838861
0110	1677722

***Note:** Each word is comprised of 10 bits, therefore the actual number of samples compared is 10 times the number of words compared.

The status of the two pattern checking blocks is available in the RX0_PRBS_LOCK and RX1_PRBS_LOCK, RX0_PRBS_PASS and RX1_PRBS_PASS, RX0_PRBS_FAIL and RX1_PRBS_FAIL, and RX0_PRBS_ERROR_COUNT and RX1_PRBS_ERROR_COUNT read-only bits (see register addresses 0x81Eh to 0x821h).

- RX0_PRBS_LOCK [0] - When HIGH, indicates that the pattern checker has acquired the pattern
- RX0_PRBS_PASS [1] - When HIGH, indicates that the pattern was locked, and the specified number of words have been compared with fewer detected errors than specified by the RX0_PRBS_BER_THRESH parameter

- **RX0_PRBS_FAIL [2]** - Indicates that the test terminated in a failure condition. There are three possible failure conditions:
 1. The pattern generator failed to lock in the number of attempts specified by **RX0_PRBS_LOCK_ATTEMPTS** (in which case **RX0_PRBS_LOCK** would still be '0').
 2. The pattern generator locked, but over the period of time indicated by the **RX0_PRBS_LOL_TIME** bits, a greater number of errors were detected than allowed by the **RX0_PRBS_LOL_THRESH** setting. In this error condition, the device determines that it has "lost lock", and terminates the test. This error condition is detectable if both **RX0_PRBS_LOCK** and **RX0_PRBS_FAIL** bits are HIGH, and the value of **RX0_PRBS_ERROR_COUNT** is less than **RX0_PRBS_BER_THRESH** (the same applies for **RX1_PRBS_LOCK**, **RX1_PRBS_FAIL** and **RX1_PRBS_ERROR_COUNT**).
 3. The pattern generator locked, but the number of errors observed exceeded the value indicated by the **RX0_PRBS_BER_THRESH** bits. This error is detectable if **RX0_PRBS_LOCK** and **RX0_PRBS_FAIL** are both HIGH, and the value of **RX0_PRBS_ERROR_COUNT** is equal or greater than the value in **RX0_PRBS_BER_THRESH**.

Note that the values of **RX0_PRBS_LOCK** and **RX1_PRBS_LOCK**, **RX0_PRBS_PASS** and **RX1_PRBS_PASS**, **RX0_PRBS_FAIL** and **RX1_PRBS_FAIL**, **RX0_PRBS_ERROR_COUNT** and **RX1_PRBS_ERROR_COUNT** are reset whenever any of the corresponding test parameters for the RX0 and RX1 pattern checkers are updated as well as whenever the corresponding **RX0_PRBS_ENABLE** or **RX1_PRBS_ENABLE** bits are set to '1' when previously set to '0'. To start a new PRBS test when the previous one has already been run, either re-write **RX0_PRBS_BER_TIME/RX1_PRBS_BER_TIME** or toggle **RX0_PRBS_ENABLE/RX1_PRBS_ENABLE**.

Note: The pattern checkers will count zero errors if the incident data is simply a static zero.

4.7 Horizontal Eye Measurement

As explained above, the GX3190 enables the measurement of bit error “bathtub” curves at the video rates of 1485Mb/s and 2970Mb/s to assist in evaluating how much margin there is in the system.

See [Using the Monitoring Features of the GX3290 Application Note](#) for more information.

4.7.1 Configuration for Horizontal Eye Measurement

- Route the input signal of interest to the MON0 or MON1 of the matrix
- Route the monitor output of matrix to pattern checker Rx, (RX0 in the notes below) by changing the RX0_CHECK_KEY_D2A word from its default value of 512 (decimal) to 288 (decimal)
- For a PRBS pattern, select a pattern length with a value of the RX0_PRBS_POLYNOMIAL bits set to match the source pattern, and set the RX0_PRBS_CHK_MODE bits to 1 to select the phase interpolator path
- For an arbitrary pattern, set the RX0_PRBS_CHK_MODE bits to 2 to select the direct data comparison mode
- Set initial sampling phase with the RX0_PHASE_INTERPOLATOR_PHASE_SEL_D2A bits (in the BIST_RX_4 register)
- Initiate error counting as described in [Section 4.6.2](#) above
- Increment the sampling phase
- Count errors
- Repeat last two steps to cover one UI

4.8 Temperature Sensors

The GX3190 has twelve on-chip temperature sensors comprised of four junction diode temperature sensors and four ADCs, each with two selectable temperature sensors. Analog output voltages can be used to determine the temperature of the chip at the junction diode temperature sensors in four different locations. An external test current is applied to each sensor, and the voltage across the sensor is measured.

Note that the “A” and “K” of the pin names indicate the preferred direction of the test current, but other junctions are present internally. Test currents should be limited to 10mA or less.

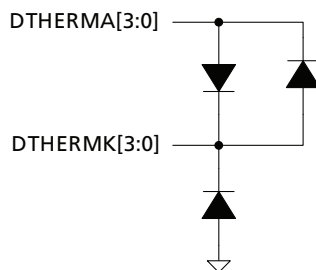
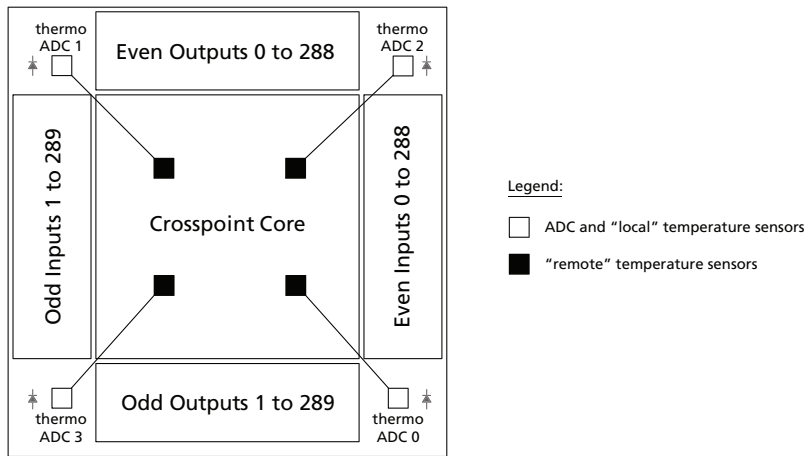


Figure 4-3: Temperature Sensors

In addition to the diode temperature sensors, four ADCs, each with two selectable temperature sensors, are also provided. Digitized temperatures can be read through the device's host interface.



Package Top-view of Die

Figure 4-4: Map of Thermometer ADC Positions on Die

Table 4-10: Junction Temperature Registers

Thermometer ADC	Sensor Location Select Register	Result Register
0	ADC_IN_0	JNCTN_TEMP_0
1	ADC_IN_1	JNCTN_TEMP_1
2	ADC_IN_2	JNCTN_TEMP_2
3	ADC_IN_3	JNCTN_TEMP_3

Digitized 10-bit temperature values can be read through the host interface from registers `JNCTN_TEMP_0` (register `0xA08h[9:0]`) through `JNCTN_TEMP_3` (register `0xA0Bh[9:0]`). The temperature word in each register will be updated every 2^{13} clock cycles, provided the value of the respective `COUNT_PD_[3:0]` bit remains LOW. When a `COUNT_PD_[3:0]` bit goes HIGH, the ADC is reset and the corresponding `JNCTN_TEMP_[3:0]` register retains its last updated value. The clock rate can be selected between 211kHz or 844kHz through the corresponding `ADC_CTRL_CLK_SEL_[3:0]` bits (registers `0xA04h`, `0xA05h`, `0xA06h` and `0xA07h`).

The junction temperature at each temperature sensor in terms of the ADC output code is given by:

$$T_j = 0.5489 \times \text{JNCTN_TEMP_}[3:0] - 263 + \delta_3$$

Where δ_3 is the temperature uncertainty. The accuracy of the temperature sensors can be improved by calibrating the GX3190 at a known junction temperature. Without calibration, the temperature uncertainty, due to process variations and component mismatch, can be as high as $\pm 27^\circ\text{C}$. After calibration, the uncertainty can be reduced to about $\pm 2^\circ\text{C}$.

See [Using the Monitoring Features of the GX3290 Application Note](#) for more information.

Table 4-11: Nominal Temperature-to-Code Conversion

Tj (°C)	JNCTN_TEMP_ [3:0]	Tj (°C)	JNCTN_TEMP_ [3:0]	Tj (°C)	JNCTN_TEMP_ [3:0]	Tj (°C)	JNCTN_TEMP_ [3:0]
-40	406	2	483	44	559	86	636
-38	410	4	486	46	563	88	639
-36	414	6	490	48	567	90	643
-34	417	8	494	50	570	92	647
-32	421	10	497	52	574	94	650
-30	424	12	501	54	578	96	654
-28	428	14	505	56	581	98	658
-26	432	16	508	58	585	100	661
-24	435	18	512	60	588	102	665
-22	439	20	516	62	592	104	669
-20	443	22	519	64	596	106	672
-18	446	24	523	66	599	108	676
-16	450	26	527	68	603	110	680
-14	454	28	530	70	607	112	683
-12	457	30	534	72	610	114	687
-10	461	32	538	74	614	116	690
-8	465	34	541	76	618	118	694
-6	468	36	545	78	621	120	698
-4	472	38	548	80	625	122	701
-2	475	40	552	82	629	124	705
0	479	42	556	84	632	126	709

4.9 27MHz Reference Clock

The GX3190 requires an external 27MHz reference clock for correct operation. This clock is multiplied to generate the digital core and interface clocks, and is also used to synthesize video rate clocks in the pattern generation blocks, and to acquire video rate signals in the pattern checker blocks. The reference clock has no impact on the jitter measurement performance when the pattern checker blocks are locked to external data sources, but has a direct impact on jitter performance within the loop bandwidth of the CMU PLL in the pattern generation blocks.

The 27MHz reference clock can be generated by connecting a crystal between the REF_CLK_IN and REF_CLK_OUT balls, along with appropriate loading capacitors and a feedback resistor (see Figure 3-5). Alternatively, an LVCMOS 27MHz external clock source can be connected to the REF_CLK_IN ball with the REF_CLK_OUT ball left floating. The frequency variation of the crystal (including aging, supply and temperature variation) should be less than +/-100ppm if the PRBS checking and generation features are to be used in video applications.

4.10 Device Power-Up

Note 1: No power supply sequencing is required (see Section 4.11).

There is a 50 μ s delay (t_{idle}) between the power supplies reaching their nominal value and the device becoming operational. During this time, there should be no host interface activity, and the UPDATE_EN[7:0] pins must be held LOW.

The RC filter, shown in Figure 3-3, on each of the four VCO supplies—VCC_25_VCO0, VCC_25_VCO1, VCC_25_VCO2 and VCC_VCO_DIGITAL—is required to minimize the phase noise of the PLLs in pattern generation/detection modes, but the rise time of the filter on VCC_VCO_DIGITAL in particular can impact the start-up time of the device internal clock.

Note 2: In applications where power supplies reach their final voltage in under 1ms (the time for the internal clock to start), approximately two time constants of the RC filter on VCC_VCO_DIGITAL, can dominate the time for the GX3190 to emerge from reset upon power-up. In such cases, the time for VCC_VCO_DIGITAL can be traded-off against supply filtering and hence low-frequency jitter of patterns generated by Pattern Generator Zero.

Note 3: $\overline{\text{RESET}}$ must be held LOW until all power supplies have stabilized.

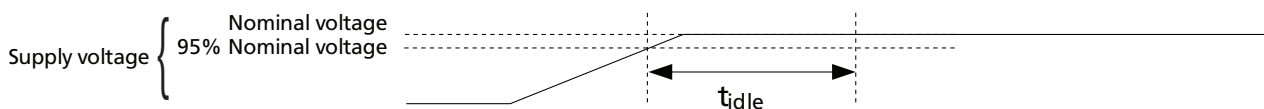


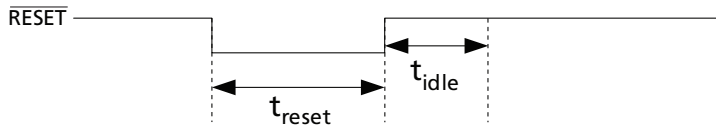
Figure 4-5: Power-Up Timing Diagram

4.11 Device Reset

The $\overline{\text{RESET}}$ pin is an active-LOW asynchronous reset for the device. Assertion of the $\overline{\text{RESET}}$ pin sets the device in its minimum power state. The minimum pulse width of the $\overline{\text{RESET}}$ signal is 10ms (t_{reset}). There is a 50 μs delay (t_{idle}) between the $\overline{\text{RESET}}$ signal going HIGH (inactive) and the device becoming operational. During this time (all of $t_{\text{reset}} + t_{\text{idle}}$), there should be no host interface activity and the $\text{UPDATE_EN}[7:0]$ pins must be held LOW.

Note 1: $\overline{\text{RESET}}$ must be held LOW until all power supplies have stabilized.

Note 2: Upon emerging from reset, all SDI inputs and SDO outputs are powered-down, pattern generation and checking is inactive, and all registers assume their reset values as noted in the Semtech [Crosspoint \(GX3290 and family\) Reference Manual \(for CSRs\)](#).



Reset Timing Diagram

4.12 Host Interface

4.12.1 Parallel Host Interface Specifications

The Asynchronous Parallel Peripheral Interface (APPI) on the GX3190 device allows an external host to access internal registers using parallel read and write operations.

The GX3190 APPI is selected by setting the $\text{HOST_S}/\overline{\text{P}}$ pin LOW.

Note: The $\overline{\text{S_CS}}$ pin must be pulled LOW when $\text{HOST_S}/\overline{\text{P}}$ is set LOW for parallel port communication.

The host interface communicates with the Control and Status Registers (CSR) over an APPI bridge. It is possible to write one register every 10ns (100MHz write update rate). It is also possible to read one register every 20ns (50MHz read update rate).

The parallel interface is asynchronous. During writes, an active-LOW $\overline{\text{P_CS}}$ (Chip Select) enables the interface and $\overline{\text{ADS}}$ (Address/Data Strobe) latches 12-bit write address and 16-bit write data into the device. During reads, the same $\overline{\text{P_CS}}$ signal is used, and the $\overline{\text{ADS}}$ signal latches the 12-bit read address and then clocks out the 16-bit read data. The $\text{P_R}/\overline{\text{W}}$ signal is used to differentiate between the two access types.

An auto-increment mode exists for both reads and writes. This mode is configured by way of the $\text{APPI_AUTO_INCREMENT}$ bit in the HOST_SETUP register. See Section 6 in the Semtech [Crosspoint \(GX3290 and family\) Reference Manual \(for CSRs\)](#).

Table 4-12: APPI Inputs/Outputs

Signal Name	I/O	Description
$\overline{P_CS}$	I	Chip Select from the host.
$\overline{P_ADS}$	I	Address/Data Strobe from the host; used to “clock” address and write data into the chip, and to “clock” read data out of the chip.
$P_R\overline{W}$	I	Read/Write indication from the host; HIGH for read, LOW for write.
$P_ADD[11:0]$	I	Address from the host.
$P_DAT[15:0]$	I/O	Write data from the host, or read data to the host.

4.12.1.1 APPI External Timing for Normal Write

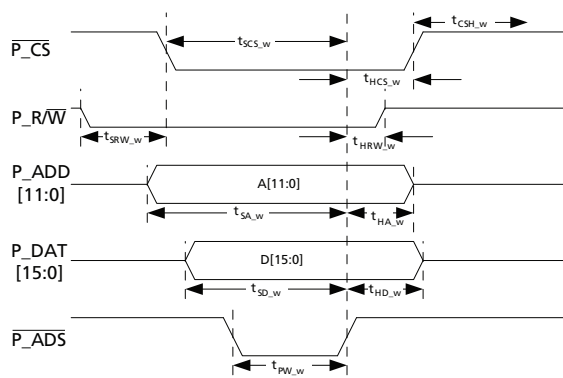


Figure 4-6: External Timing for Normal Write Cycle

Table 4-13: APPI External Timing Specifications for Normal Write

Parameter	Symbol	Equiv. Cycles	Min	Typ	Max	Units
$\overline{P_CS}$ LOW before $\overline{P_ADS}$ positive edge	t_{SCS_w}	—	10.0	—	—	ns
$\overline{P_CS}$ hold time after $\overline{P_ADS}$ positive edge	t_{HCS_w}	2	14.8	—	—	ns
$P_R\overline{W}$ low before $\overline{P_CS}$ negative edge	t_{SRW_w}	—	1.5	—	—	ns
$P_R\overline{W}$ hold time after $\overline{P_ADS}$ positive edge	t_{HRW_w}	2	14.8	—	—	ns
$P_ADD[11:0]$ setup before $\overline{P_ADS}$ positive edge	t_{SA_w}	—	10.0	—	—	ns
$P_ADD[11:0]$ hold after $\overline{P_ADS}$ positive edge	t_{HA_w}	—	5.0	—	—	ns
$P_DAT[15:0]$ setup before $\overline{P_ADS}$ positive edge	t_{SD_w}	—	5.0	—	—	ns
$P_DAT[15:0]$ hold after $\overline{P_ADS}$ positive edge	t_{HD_w}	—	5.0	—	—	ns
$\overline{P_ADS}$ LOW pulse width	t_{PW_w}	0.6	4.4	—	—	ns
$\overline{P_CS}$ HIGH before next read/write cycle	t_{CSH_w}	5	37.0	—	—	ns
Frequency for back-to-back single writes	—	—	—	—	16.17	MHz

4.12.1.2 APPI External Timing for Auto-Increment Write

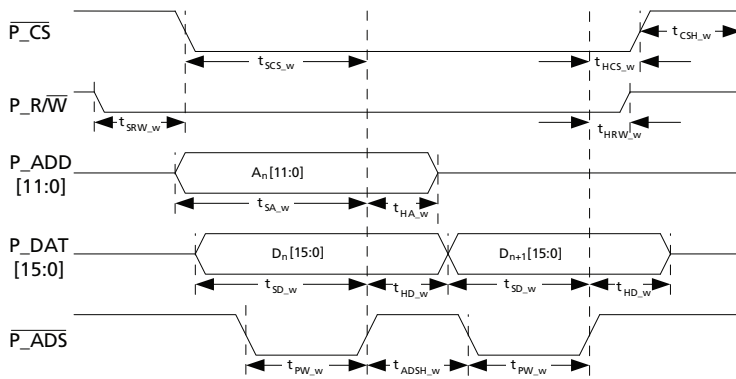


Figure 4-7: External Timing for Auto-Increment Write Cycle

Table 4-14: APPI External Timing Specifications for Auto-Increment Write

Parameter	Symbol	Equiv. Cycles	Min	Typ	Max	Units
$\overline{P_CS}$ LOW before $\overline{P_ADS}$ positive edge	t_{scs_w}	—	10.0	—	—	ns
$\overline{P_CS}$ hold time after last $\overline{P_ADS}$ positive edge	t_{hcs_w}	2	14.8	—	—	ns
$\overline{P_R/W}$ LOW before $\overline{P_CS}$ negative edge	t_{srw_w}	—	1.5	—	—	ns
$\overline{P_R/W}$ hold time after $\overline{P_ADS}$ positive edge	t_{hrw_w}	2	14.8	—	—	ns
$P_ADD[11:0]$ setup before $\overline{P_ADS}$ positive edge	t_{sa_w}	—	10.0	—	—	ns
$P_ADD[11:0]$ hold after $\overline{P_ADS}$ positive edge	t_{ha_w}	—	5.0	—	—	ns
$P_DAT[15:0]$ setup before $\overline{P_ADS}$ positive edge	t_{sd_w}	—	4.0	—	—	ns
$P_DAT[15:0]$ hold after $\overline{P_ADS}$ positive edge	t_{hd_w}	—	4.0	—	—	ns
$\overline{P_ADS}$ LOW pulse width	t_{pw_w}	0.6	4.4	—	—	ns
$\overline{P_ADS}$ HIGH before next pulse	t_{adsh_w}	0.6	4.4	—	—	ns
$\overline{P_CS}$ HIGH before next read/write cycle	t_{csh_w}	5	37.0	—	—	ns
Frequency during auto-increment write	—	—	—	—	112.5	MHz

4.12.1.3 APPI External Timing for Normal Read

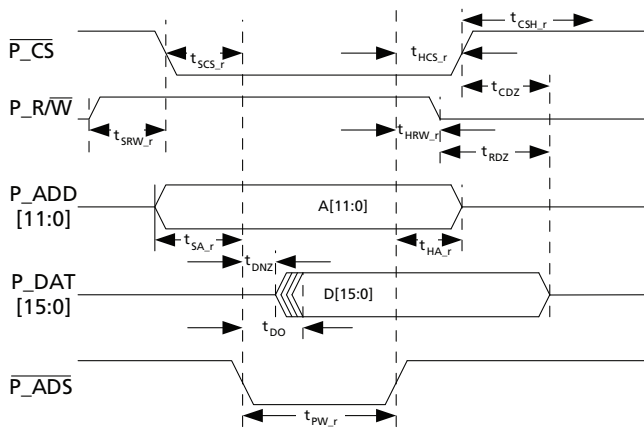


Figure 4-8: External Timing for Normal Read Cycle

Table 4-15: APPI External Timing Specifications for Normal Read

Parameter	Symbol	Equiv. Cycles	Min	Typ	Max	Units
Internal read pipeline delay (0 if one-cycle read)	—	1	—	—	—	—
$\overline{P_CS}$ LOW before $\overline{P_ADS}$ negative edge	$t_{scs,r}$	—	5.0	—	—	ns
$\overline{P_CS}$ hold time after $\overline{P_ADS}$ positive edge	$t_{hcs,r}$	—	5.0	—	—	ns
P_R/\overline{W} HIGH before $\overline{P_CS}$ negative edge	$t_{srw,r}$	—	1.5	—	—	ns
P_R/\overline{W} hold time after $\overline{P_ADS}$ positive edge	$t_{hrw,r}$	—	5.0	—	—	ns
$P_ADD[11:0]$ setup before $\overline{P_ADS}$ negative edge	$t_{sa,r}$	—	0.0	—	—	ns
$P_ADD[11:0]$ hold after $\overline{P_ADS}$ positive edge	$t_{ha,r}$	—	0.0	—	—	ns
$P_DAT[15:0]$ out of tristate after $\overline{P_ADS}$ negative edge	t_{dnz}	2	14.8	—	—	ns
$P_DAT[15:0]$ becomes valid after $\overline{P_ADS}$ negative edge	t_{do}	—	—	—	65.0	ns
$P_DAT[15:0]$ goes tristate after $\overline{P_CS}$ positive edge	t_{dz}	—	—	—	45.0	ns
$P_DAT[15:0]$ goes tristate after $\overline{P_ADS}$ positive edge	t_{dz}	—	—	—	45.0	ns
$\overline{P_ADS}$ LOW pulse width	t_{pw}	—	65.0	—	—	ns
$\overline{P_CS}$ HIGH before next read/write cycle	$t_{csh,r}$	3	22.2	—	—	ns
Frequency for back-to-back single reads	—	—	—	—	10.29	MHz

4.12.1.4 APPI External Timing for Auto-Increment Read

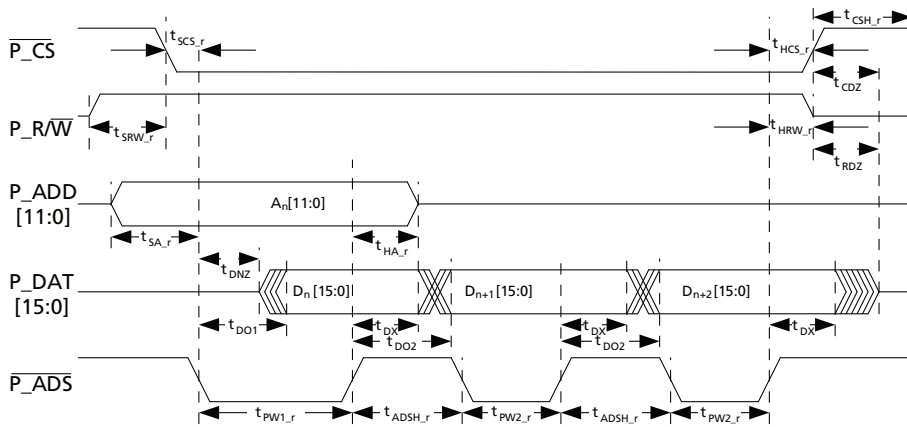


Figure 4-9: External Timing for Auto-Increment Read Cycle

Table 4-16: APPI External Timing Specifications for Auto-Increment Read

Parameter	Symbol	Equiv. Cycles	Min	Typ	Max	Units
Internal read pipeline delay (0 if one-cycle read)	—	1	—	—	—	—
$\overline{P_CS}$ LOW before first $\overline{P_ADS}$ positive edge	t_{SCS_r}	—	5.0	—	—	ns
$\overline{P_CS}$ hold time after last $\overline{P_ADS}$ positive edge	t_{HCS_r}	—	5.0	—	—	ns
$\overline{P_R/W}$ HIGH before $\overline{P_CS}$ negative edge	t_{SRW_r}	—	1.5	—	—	ns
$\overline{P_R/W}$ hold time after last $\overline{P_ADS}$ positive edge	t_{HRW_r}	—	5.0	—	—	ns
$P_ADD[11:0]$ setup before $\overline{P_ADS}$ negative edge	t_{SA_r}	—	0.0	—	—	ns
$P_ADD[11:0]$ hold after $\overline{P_ADS}$ positive edge	t_{HA_r}	—	0.0	—	—	ns
$P_DAT[15:0]$ out of tristate after $\overline{P_ADS}$ negative edge	t_{DNZ}	2	14.8	—	—	ns
$P_DAT[15:0]$ becomes valid after first $\overline{P_ADS}$ negative edge	t_{DO1}	—	—	—	70.0	ns
$P_DAT[15:0]$ becomes valid after $\overline{P_ADS}$ positive edge	t_{DO2}	—	—	—	13.0	ns
$P_DAT[15:0]$ becomes invalid after $\overline{P_ADS}$ positive edge	t_{DX}	—	3.0	—	—	ns
$P_DAT[15:0]$ goes tristate after $\overline{P_CS}$ positive edge	t_{DZ}	—	12.0	—	45.0	ns
$P_DAT[15:0]$ goes tristate after $\overline{P_ADS}$ positive edge	t_{DZ}	—	12.0	—	45.0	ns
$\overline{P_ADS}$ first LOW pulse width	t_{PW1_r}	—	70.0	—	—	ns
$\overline{P_ADS}$ subsequent LOW pulse widths	t_{PW2_r}	1.2	8.9	—	—	ns
$\overline{P_ADS}$ HIGH between pulses	t_{ADSH_r}	1.2	8.9	—	—	ns
$\overline{P_CS}$ HIGH before next read/write cycle	t_{CSH_r}	5	37.0	—	—	ns
Frequency during auto-increment read	—	—	—	—	56.25	MHz
Frequency for back-to-back single reads in auto-increment mode	—	—	—	—	8.54	MHz

4.12.2 Serial Host Interface Specifications

The Gennum Serial Peripheral Interface (GSPI) handles the communication with an external host over the SPI port. It allows configuration of the Control and Status Registers (CSR) using serial read and write operations.

The GX3190 GSPI is selected by setting the $\overline{\text{HOST_S/P}}$ pin HIGH.

Note 1: The $\overline{\text{P_CS}}$ pin must be pulled LOW when $\overline{\text{HOST_S/P}}$ is set HIGH for serial port communication.

The GX3190 uses a four-wire protocol, with serial communication via the input SDIN pin, the output SDO pin, clock input signal (SCLK), and the chip select signal ($\overline{\text{S_CS}}$). The signalling rate can be up to 25Mb/s. The interface uses 16-bit data and a 16-bit address/control. The 16-bit address and control consists of a 12-bit address, one read/write bit ('1' for read, '0' for write), one bit for auto-increment and two unused bits. The four-wire protocol is implemented as shown in Figure 4-10 and Figure 4-11.

When the Auto-Increment bit is set LOW, each Command Word must be followed by only one Data Word to ensure proper operation.

If the Auto-Increment bit is set HIGH, the following Data Word is written into the address specified in the Command Word, and subsequent Data Words are written into incremental addresses from the first Data Word. This facilitates multiple address reads or writes without sending a Command Word for each Data Word.

Table 4-17: GSPI Inputs/Outputs

Signal Name	I/O	Reference Clock	Description
SCLK	I	—	GSPI clock
SDIN	I	SCLK	GSPI serial data input
SDOUT	O	SCLK	GSPI serial data output (on the negative edge of SCLK)
$\overline{\text{S_CS}}$	I	—	GSPI Chip Select

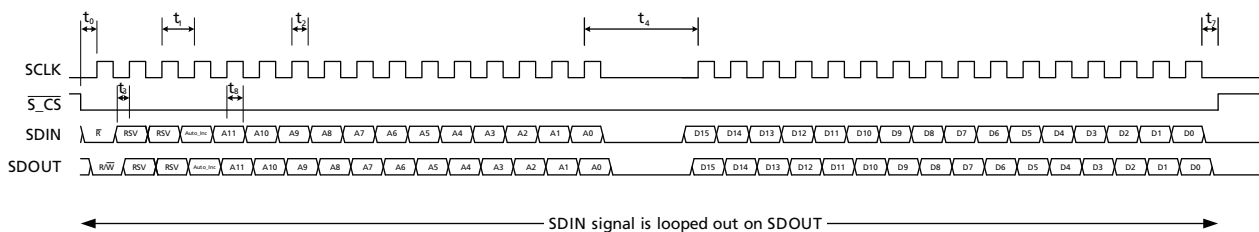


Figure 4-10: Serial Host Interface Timing Diagram - Write Mode

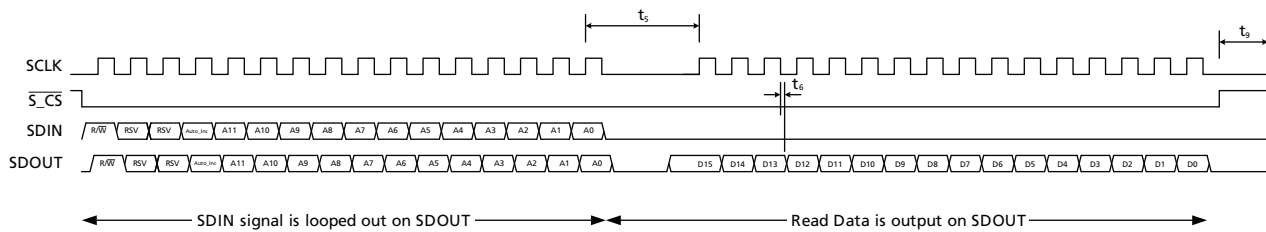


Figure 4-11: Serial Host Interface Timing Diagram - Read Mode

Table 4-18: Serial Host Interface Timing

Parameter	Symbol	Conditions	Equiv. Cycles	Min	Typ	Max	Units
$\overline{S_CS}$ LOW before SCLK positive edge	t0		—	7.0	—	—	ns
SCLK frequency	—		—	0.1	—	25.0	MHz
SCLK period	t1		—	40.0	—	10,000	ns
SCLK duty cycle	t2		—	40.0	50.0	60.0	%
Input data setup time	t3		—	7.0	—	—	ns
Time between end of Command Word (or previous data word in Auto-Increment mode) and the first SCLK of the following Data Word - write cycle	t4		—	40.0	—	—	ns
Time between end of Command Word (or previous data word in Auto-Increment mode) and the first SCLK of the following Data Word - read cycle	t5	50% levels; 3.3V or 1.8V operation	—	70.0	—	—	ns
SDO hold time after SCLK negative edge	t6		—	5.0	—	16.0	ns
$\overline{S_CS}$ HIGH after last SCLK negative edge	t7		1.2	9.0	—	—	ns
Input data hold time	t8		—	5.0	—	—	ns
$\overline{S_CS}$ HIGH time	t9		2.5	18.5	—	—	ns

70ns (t5) = 5 clock cycles at 135MHz plus SCLK and SDO signal propagation.

18.5ns (t9) = 2.5 clock cycles at 135MHz.

Max t6 (16ns) represents the latest time by which the SDO will be stable after the SCLK negative edge. As SDO must be sampled on the SCLK positive edge, this determines the minimum SCLK period, and therefore the maximum SCLK frequency.

SDO maximum transition time with 15pF load: 2ns.

SDO maximum transition time with 50pF load: 5ns.

Note 2: The GSPI and APPI are mutually exclusive (they can not both be used at the same time).

5. Application Information

Note: Please refer to the following supplementary documents:

- [Crosspoint Design Guide](#)
- [EB-GX3290 Schematics, PCB Layout and Bill of Materials](#)

5.1 Power Supply Filtering and Recommendations

One of the most important steps that PCB designers can take to ensure power supply integrity for the GX3190 device is to design the PCB layer stack-up to minimize power plane pair inductance. Locating supply planes adjacent to ground planes, and separated by minimum thickness dielectrics in the stack-up, will minimize plane-pair inductance, and incidentally maximize the plane pair capacitance. Holes and cuts in the planes should be avoided as much as possible. While such closely spaced plane pairs allow the lowest inductance connections to supply pins of the GX3190 when they are closest to the device mounting surface of the PCB, the need to balance PCB stack-ups will lead to closely spaced layers on the far side of the PCB.

The supply currents drawn from the VDD_18 and VDDIO_D supplies are noisy and activity dependent, and the corresponding supply/ground plane pairs should be treated as for FPGA or CPU devices. Supply currents drawn from the VCC_25_A, VCC_IN1, VCC_IN2, VCC_OUT1 and VCC_OUT2 supplies are continuous except under changes of the high speed signal path configuration. The VCC_OUT1 and VCC_OUT2 supplies in particular are subject to rapid steps in current under some configuration changes: the maximum combined current draw of the VCC_OUT1 and VCC_OUT2 supplies, 8.52A, can be switched in as little as 10ns. This current step may be reduced by appropriate programming of the device.

Locating point of use voltage regulators close to the GX3190 device on the PCB will maximize the regulation roll-off frequency. At the highest frequencies, the GX3190 package and mounting parasitics will limit the effectiveness of any measures on the PCB to suppress voltage ripple on the device supplies. In between the voltage regulator roll off frequencies and the frequencies where parasitics on each supply domain within the GX3190 isolate the die from the PCB, decoupling capacitors on the PCB are effective. PCB layout effort should be spent on details of the decoupling capacitor mounting layout. Some simple layout measures can help to reduce the inductance of capacitor mounting.

See the [Crosspoint Design Guide](#) for more detailed recommendations.

5.2 Estimated Worst-Case Load Current Steps

Under normal operation, the power supply networks need to minimize voltage transients due to configuration change related load current steps. When the device reset is asserted while the device is drawing significant current, the load on power supplies could be shed fast enough to raise concerns about the board level voltage regulator dynamics, and the impact of any power supply network inductance.

5.2.1 VCC_25_A Supply

The tail currents of CML blocks (the high-speed signal paths) in the matrix switch relatively slowly, with worst case switching times of 30ns and typical times ~50ns. The matrix supply current of ~9.3A could in principle switch in 30ns, but in practice the propagation delay of UPDATE_EN[7:0] signals across the matrix will increase the switching time somewhat.

The VCC_25_A supply current drawn by individual EQs takes more than 10ns to rise upon application of control signals. The VCC_25_A supply current drops in as little as 5ns upon assertion of reset, though, and the reset signal arrival times at EQs in a bank are roughly uniformly distributed over an interval of 0.8ns. This means that the VCC_25_A current drawn by all EQs together, ~1.8A, could be shed in 5.8ns.

The trace drivers draw significant current from the VCC_25_A supply, up to ~4.7A total for all trace drivers together, and this current can rise in as little as 20ns upon the de-assertion of power-down signals, or fall in as little as 1ns upon the assertion of power-down or reset signals. The arrival times of power-down or reset signals within the bottom trace driver bank are nearly uniformly distributed over an interval of 0.8ns, while the arrival time of power-down or reset signals within the top trace driver bank are nearly uniformly distributed over an interval of 4.4ns.

The worst case total load current slew rate on the VCC_25_A supply is estimated from the above to be ~1.9GA/s.

5.2.2 VCC_OUT1, VCC_OUT2 Supplies

In simulation, the tail currents of trace driver output stages turn on in as little as 10ns. Should all outputs be configured for maximum swing and enabled simultaneously, the load current step on each of VCC_OUT1, VCC_OUT2 would be as high as 4.26A (for AC-coupled applications) in ~14ns, 11ns respectively (including the propagation delay spread noted above). That large dI/dt can be reduced by appropriate programming of updates. The VCC_OUT1 and VCC_OUT2 supply current drawn by each trace driver drops in as little as 1ns upon the assertion of device reset. The greater spread of signal arrival times in the top bank leads to a significantly smaller magnitude of dI/dt on the VCC_OUT1 supply than on the VCC_OUT2 supply.

5.2.3 VCC_IN1, VCC_IN2 Supplies

The controls for the equalizers are serialized, and hence power switching of the equalizers in mission mode is staggered in time. Assertion of reset will however lead to more nearly synchronous shedding of load. The typical current drawn from the VCC_IN1 and VCC_IN2 supplies is 0.85A each, and this can be shed in 1ns, including the reset signal propagation delay.

Table 5-1: Summary

Supply	Maximum Current (A)	Maximum Positive di/dt	Maximum Negative di/dt (reset/simultaneous power-down)
VCC_25_A	15.8	0.62GA/s	-1.9GA/s
VCC_OUT1	4.26	0.42GA/s	-1.4GA/s
VCC_OUT2	4.26	0.54GA/s	-3.6GA/s
VCC_IN1	0.85(typ)	<0.1GA/s	-0.9GA/s
VCC_IN2	0.85(typ)	<0.1GA/s	-0.9GA/s

6. Package and Ordering Information

6.1 Package Dimensions

50mm x 50mm FCBGA (1mm pitch)

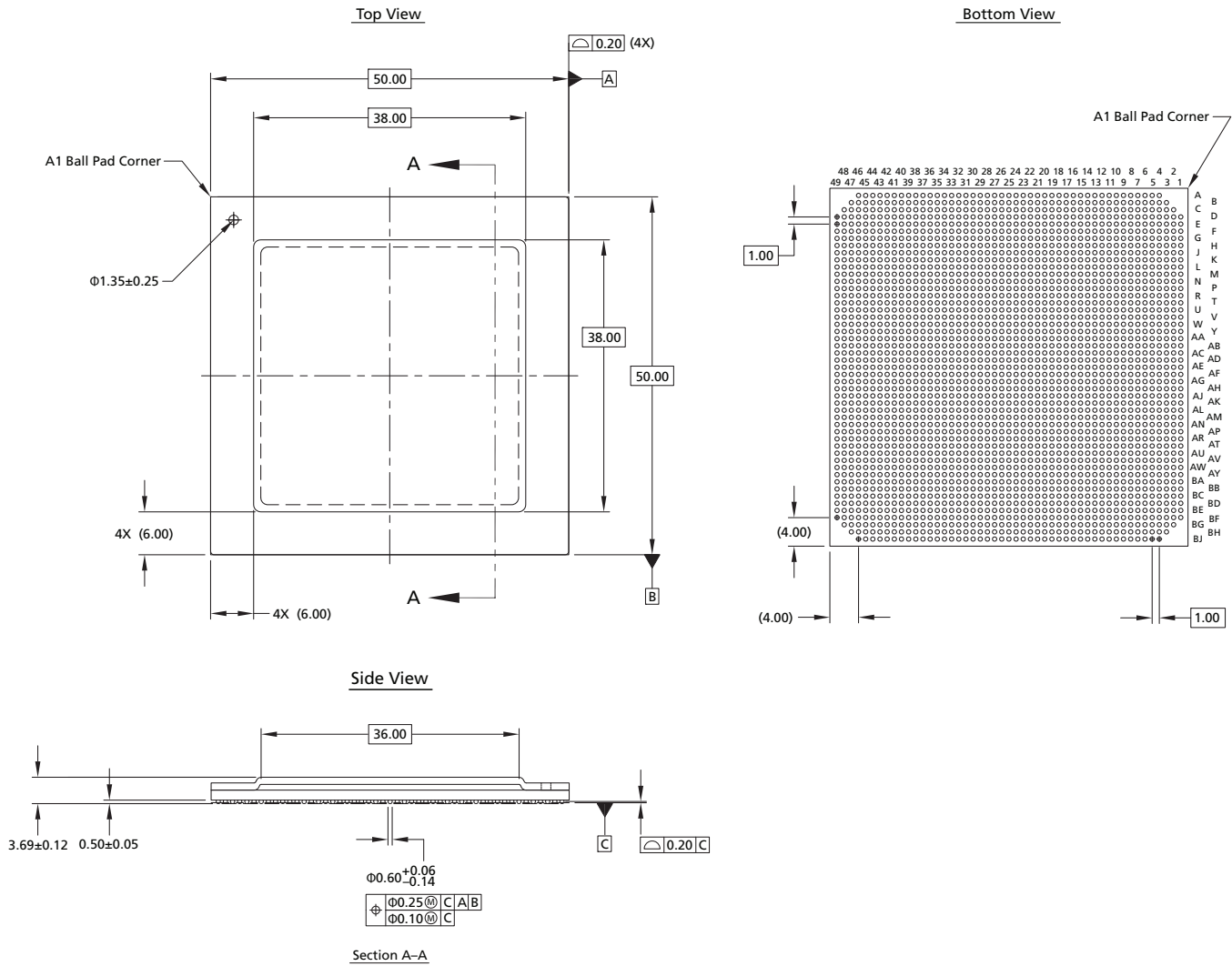


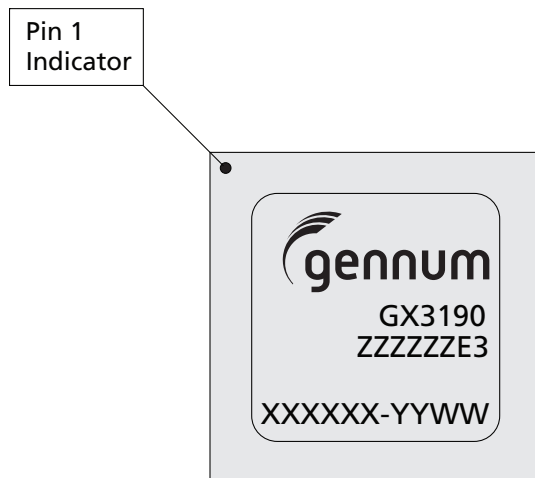
Figure 6-1: Package Dimensions

6.2 Package Thermal Data and Information

Table 6-1: Package Thermal Data and Information

Parameter	Value
Package Type	50mm x 50mm HFC BGA
Moisture Sensitivity Level	3
Junction to Case Thermal Resistance, θ_{j-c}	0.31°C/W
Junction to Air Thermal Resistance, θ_{j-a} (at zero airflow)	N/A. This device requires a heat sink. See Semtech's Crosspoint Design Guide .
Junction to Board Thermal Resistance, θ_{j-b}	2.1°C/W
Pb-free and RoHS Compliant	Yes

6.3 Marking Diagram



Instructions:	
GX3190	Package Mark
ZZZZZZ	Marking batch work order information
E3	Pb-free & Green indicator
XXXXXX	Assembly batch work order information
YYWW	Date Code

Figure 6-2: Marking Diagram

6.4 Solder Reflow Profile

The GX3190 is available in a Pb-free package. It is recommended that the Pb-free package be soldered with Pb-free paste using the reflow profile shown in Figure 6-3.

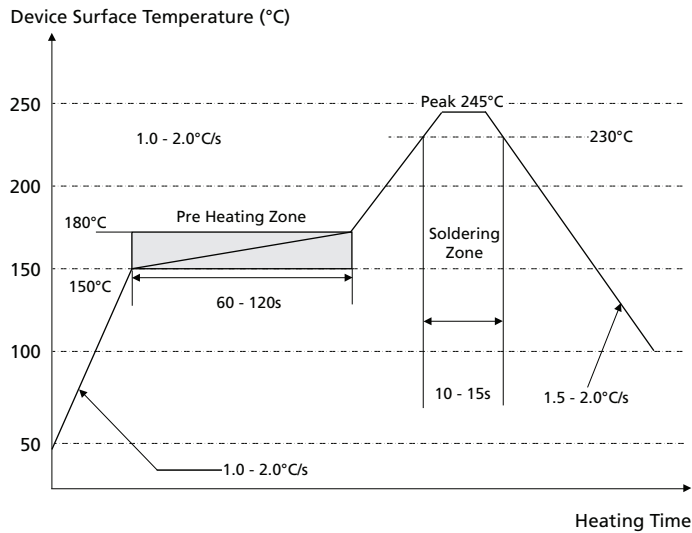


Figure 6-3: Maximum Pb-free Solder Reflow Profile

6.5 Ordering Information

Table 6-2: Ordering Information

Part Number	Package	Temperature Range
GX3190-CBE3	50x50mm HFC-BGA	0°C to 85°C

Appendix - Relevant Documentation

Table 6-3: Relevant Documentation

Document Description	Document Identification
EB-GX3290 Schematics, PCB Layout and Bill of Materials	GENDOC-056057
GX3290 Host Control Software User Manual	GENDOC-055970
Using the Monitoring Features of the GX3290 Application Note	GENDOC-058329
GX3290 (and family) Crosspoint Ball Guide	GENDOC-056697
Crosspoint Design Guide	GENDOC-056004
Crosspoint (GX3290 and family) Reference Manual (for CSRs)	GENDOC-056832



DOCUMENT IDENTIFICATION
FINAL DATA SHEET

Information relating to this product and the application or design described herein is believed to be reliable, however such information is provided as a guide only and Semtech assumes no liability for any errors in this document, or for the application or design described herein. Semtech reserves the right to make changes to the product or this document at any time without notice.

CAUTION

ELECTROSTATIC SENSITIVE DEVICES
DO NOT OPEN PACKAGES OR HANDLE EXCEPT AT A
STATIC-FREE WORKSTATION



© Semtech 2012

All rights reserved. Reproduction in whole or in part is prohibited without the prior written consent of the copyright owner. The information presented in this document does not form part of any quotation or contract, is believed to be accurate and reliable and may be changed without notice. No liability will be accepted by the publisher for any consequence of its use. Publication thereof does not convey nor imply any license under patent or other industrial or intellectual property rights. Semtech assumes no responsibility or liability whatsoever for any failure or unexpected operation resulting from misuse, neglect improper installation, repair or improper handling or unusual physical or electrical stress including, but not limited to, exposure to parameters beyond the specified maximum ratings or operation outside the specified range.

SEMTECH PRODUCTS ARE NOT DESIGNED, INTENDED, AUTHORIZED OR WARRANTED TO BE SUITABLE FOR USE IN LIFE-SUPPORT APPLICATIONS, DEVICES OR SYSTEMS OR OTHER CRITICAL APPLICATIONS. INCLUSION OF SEMTECH PRODUCTS IN SUCH APPLICATIONS IS UNDERSTOOD TO BE UNDERTAKEN SOLELY AT THE CUSTOMER'S OWN RISK. Should a customer purchase or use Semtech products for any such unauthorized application, the customer shall indemnify and hold Semtech and its officers, employees, subsidiaries, affiliates, and distributors harmless against all claims, costs damages and attorney fees which could arise.

Notice: All referenced brands, product names, service names and trademarks are the property of their respective owners.

Contact Information

Semtech Corporation
Gennum Products Division
200 Flynn Road, Camarillo, CA 93012
Phone: (805) 498-2111, Fax: (805) 498-3804
www.semtech.com