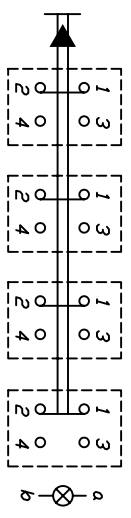
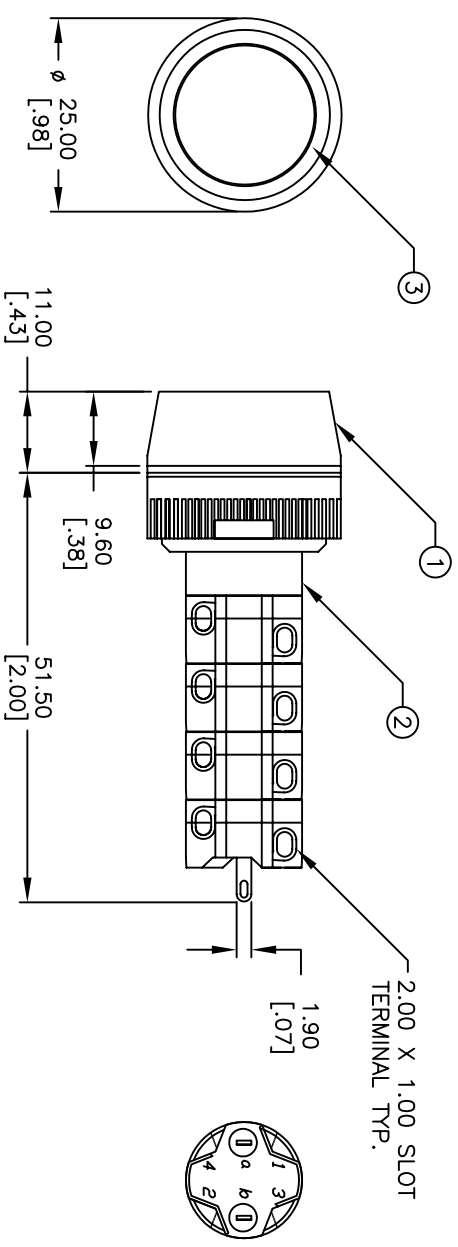


RECOMMENDED PANEL MOUNTING



4PST
CONTACT CONFIGURATION




PARTS LIST

Item	Qty.	Dwg. No.	Part No.
1	1	F051702	25mm RING FOR LA SERIES
2	1	F060605	LASEEV140
3	1	F060253	25mm WHT LENS
-	1	F050405	50-004-05 (LAMP)

- NOTES:
1. ALL DIMENSIONS IN MM [INCH]
 2. GENERAL TOLERANCE: X.X=±0.4
X.XX=±0.25
 3. RATINGS: 250VAC @1A, 2A, 4A, 5A

A	11189	RELEASED FOR PRODUCTION	1/18/01	CJB
REV.	ECN No.	DESCRIPTION	DATE	CHKD


E-SWITCH®

TITLE: LAS EE V1 4C WHT

SCALE: 1:1	DATE: 1/18/01	DR: CJB	DWG: XF0378A	REV: A
------------	---------------	---------	--------------	--------

THE INFORMATION CONTAINED IN THIS DOCUMENT IS PROPRIETARY TO E-SWITCH AND IS NOT TO BE COPIED OR TRANSFERRED