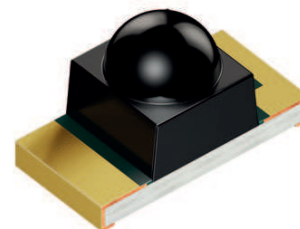


High Power Infrared Emitter (850 nm) Version 1.5

SFH 4059S



Features:

- High optical power
- Double Stack emitter
- Very small package: (LxWxH) 3.2 mm x 1.6 mm x 1.85 mm

Applications

- Miniature photointerrupters
- Industrial electronics
- For control and drive circuits
- Mobile devices

Notes

Depending on the mode of operation, these devices emit highly concentrated non visible infrared light which can be hazardous to the human eye. Products which incorporate these devices have to follow the safety precautions given in IEC 60825-1 and IEC 62471.

Ordering Information

Type:	Irradiance E_e [mW/cm ²] $I_F = 50$ mA, $t_p = 20$ ms	Radiant intensity $I_{e, typ}$ [mW/sr] $I_F = 50$ mA, $t_p = 20$ ms	Ordering Code
SFH 4059S	16 (≥ 6.3)	95	Q65111A2990
SFH 4059S-RS	10 ... 32		Q65111A5306

Note: I_e measured with a detector (11.3 mm diameter) in 100 mm distance ($\Omega = 0.01$ sr) to the device surface
 E_e measured in the near field with a detector (7.2 mm diameter) in 20 mm distance ($\Omega = 0.1$ sr) to the device surface

Maximum Ratings ($T_A = 25\text{ °C}$)

Parameter	Symbol	Values	Unit
Operation and storage temperature range	$T_{op}; T_{stg}$	-40 ... 85	°C
Reverse voltage	V_R	5	V
Forward current	I_F	50	mA
Surge current ($t_p \leq 300\ \mu\text{s}$, $D = 0$)	I_{FSM}	0.7	A
Power consumption	P_{tot}	175	mW
ESD withstand voltage (acc. to ANSI/ ESDA/ JEDEC JS-001 - HBM)	V_{ESD}	2	kV
Thermal resistance junction - ambient ^{1) page 13}	R_{thJA}	420	K / W
Thermal resistance junction - soldering point ^{2) page 13}	R_{thJS}	260	K / W

Characteristics ($T_A = 25\text{ °C}$)

Parameter	Symbol	Values	Unit
Peak wavelength ($I_F = 50\text{ mA}$, $t_p = 20\text{ ms}$)	λ_{peak}	860	nm
Centroid wavelength ($I_F = 50\text{ mA}$, $t_p = 20\text{ ms}$)	$\lambda_{centroid}$	850	nm
Spectral bandwidth at 50% of I_{max} ($I_F = 50\text{ mA}$, $t_p = 20\text{ ms}$)	$\Delta\lambda$	30	nm
Half angle	φ	± 15	°
Dimensions of active chip area	L x W	0.3 x 0.3	mm x mm
Rise and fall time of I_e (10% and 90% of $I_{e\ max}$) ($I_F = 50\text{ mA}$, $R_L = 50\ \Omega$)	t_r, t_f	15	ns
Forward voltage ($I_F = 50\text{ mA}$, $t_p = 20\text{ ms}$)	V_F	2.95 (≤ 3.45)	V
Forward voltage ($I_F = 700\text{ mA}$, $t_p = 100\ \mu\text{s}$)	V_F	4	V
Reverse current ($V_R = 5\text{ V}$)	I_R	not designed for reverse operation	μA
Total radiant flux ($I_F = 50\text{ mA}$, $t_p = 20\text{ ms}$)	Φ_e	50	mW
Radiant intensity ($I_F = 50\text{ mA}$, $t_p = 20\text{ ms}$)	$I_{e, typ}$	95	mW/sr

Parameter		Symbol	Values	Unit
Temperature coefficient of I_e or Φ_e ($I_F = 50 \text{ mA}$, $t_p = 20 \text{ ms}$)	(typ)	TC_I	-0.5	% / K
Temperature coefficient of V_F ($I_F = 50 \text{ mA}$, $t_p = 20 \text{ ms}$)	(typ)	TC_V	-2	mV / K
Temperature coefficient of wavelength ($I_F = 50 \text{ mA}$, $t_p = 20 \text{ ms}$)	(typ)	TC_λ	0.3	nm / K

Grouping ($T_A = 25 \text{ }^\circ\text{C}$)

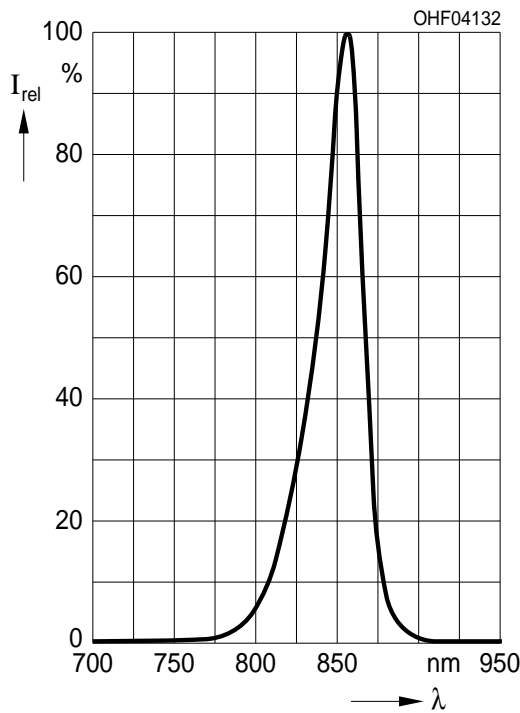
Parameter	Min Irradiance	Max Irradiance
	$I_F = 50 \text{ mA}$, $t_p = 20 \text{ ms}$ $E_{e, \text{min}}$ [mW/cm ²]	$I_F = 50 \text{ mA}$, $t_p = 20 \text{ ms}$ $E_{e, \text{max}}$ [mW/cm ²]
SFH 4059S -Q	6.3	12.5
SFH 4059S -R	10	20
SFH 4059S -S	16	32

Note: E_e measured in the near field with a detector (7.2 mm diameter) in 20 mm distance ($\Omega = 0.1 \text{ sr}$) to the device surface

Only one group in one packing unit (variation lower 2:1).

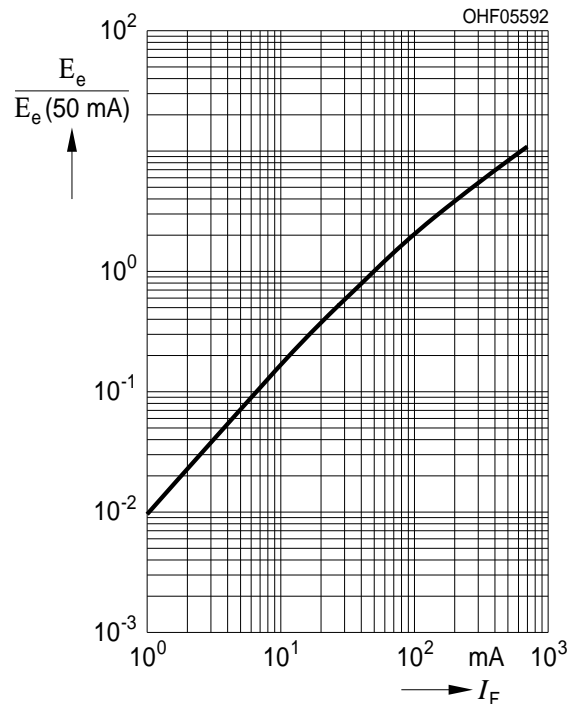
Relative Spectral Emission ^{3) page 13}

(typ) $I_{\text{rel}} = f(\lambda)$, $T_A = 25 \text{ }^\circ\text{C}$



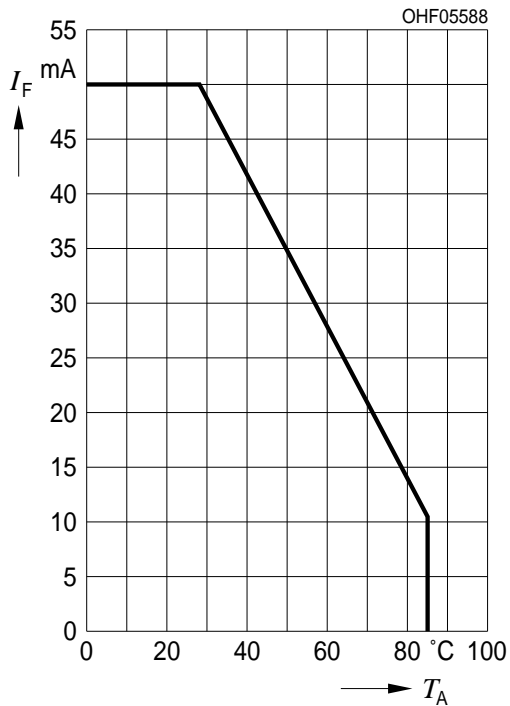
Irradiance ^{3) page 13}

$E_e/E_e(50\text{mA}) = f(I_F)$, Single pulse, $t_p = 25 \text{ } \mu\text{s}$, $T_A = 25 \text{ }^\circ\text{C}$



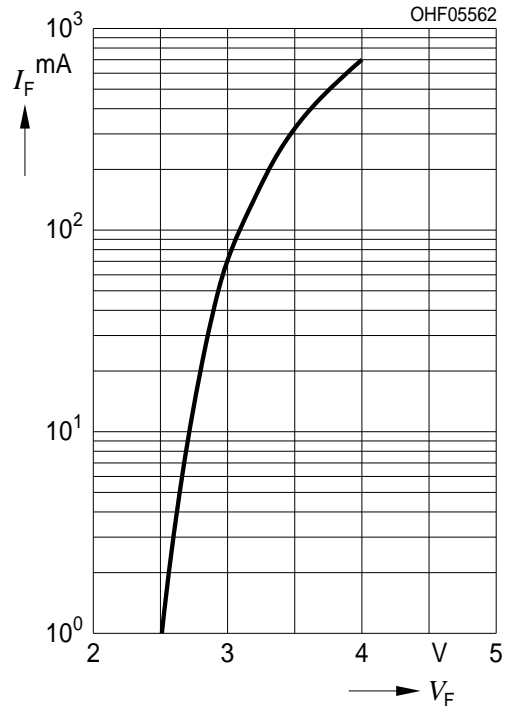
Max. Permissible Forward Current

$I_F = f(T_A), R_{thJA} = 420K/W$



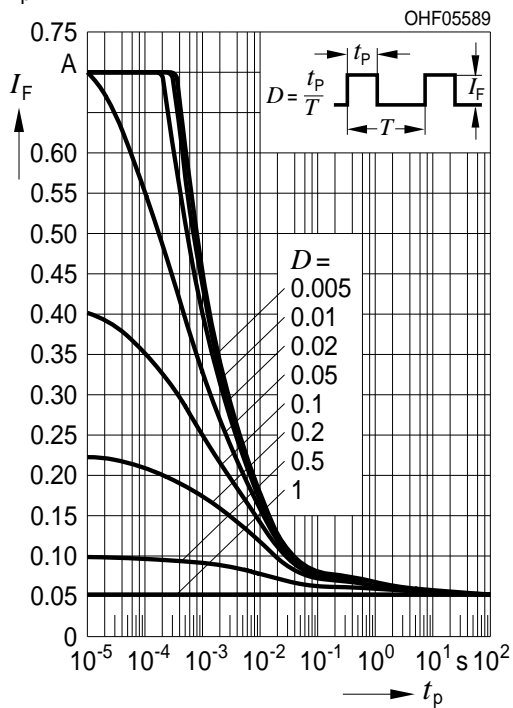
Forward Current ^{3) page 13}

$I_F = f(V_F), \text{ single pulse, } t_p = 100 \mu s, T_A = 25^\circ C$



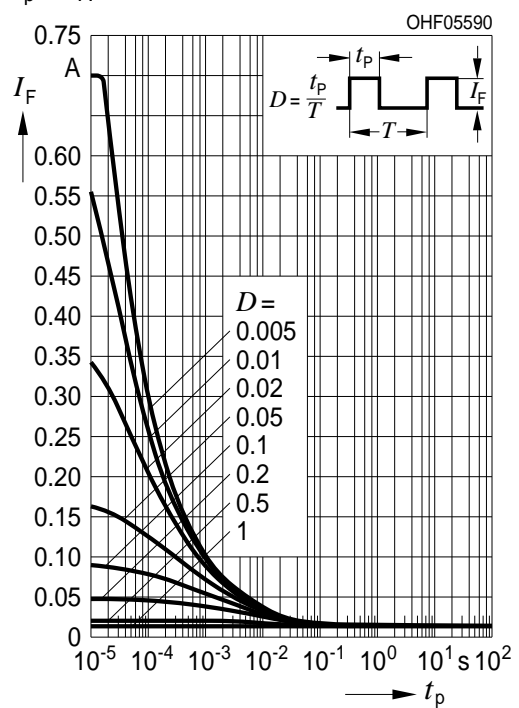
Permissible Pulse Handling Capability

$I_F = f(t_p), T_A = 25^\circ C, \text{ duty cycle } D = \text{parameter}$



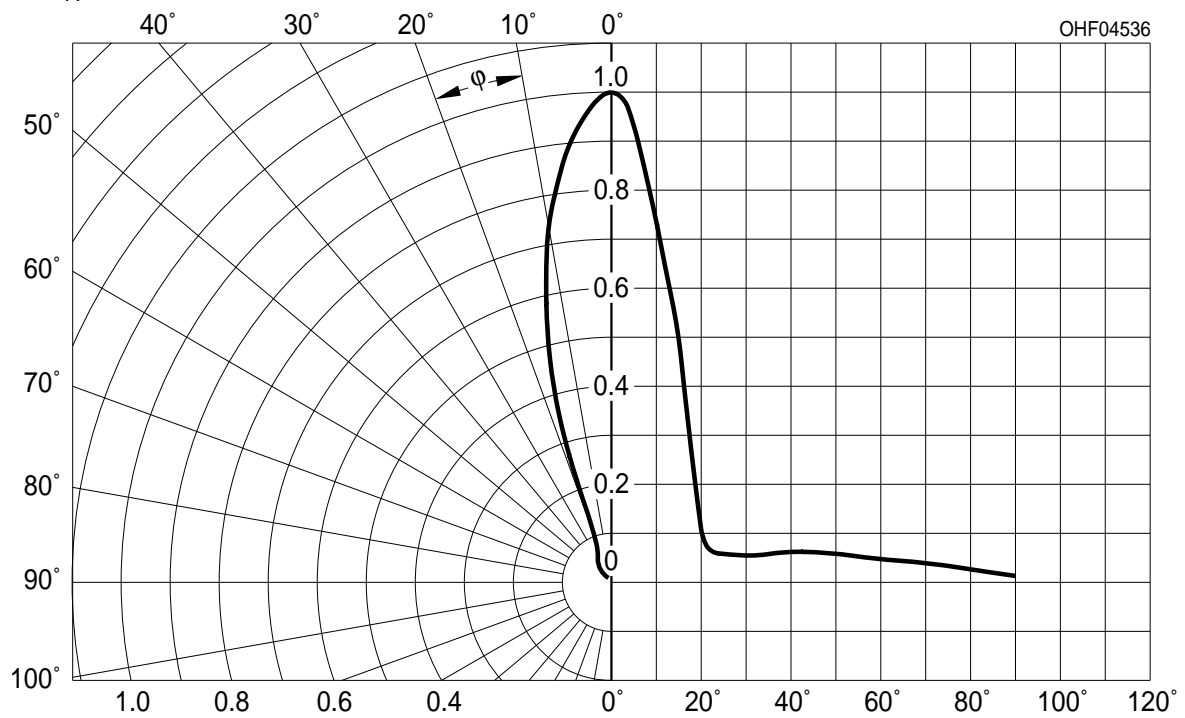
Permissible Pulse Handling Capability

$I_F = f(t_p), T_A = 85^\circ C, \text{ duty cycle } D = \text{parameter}$

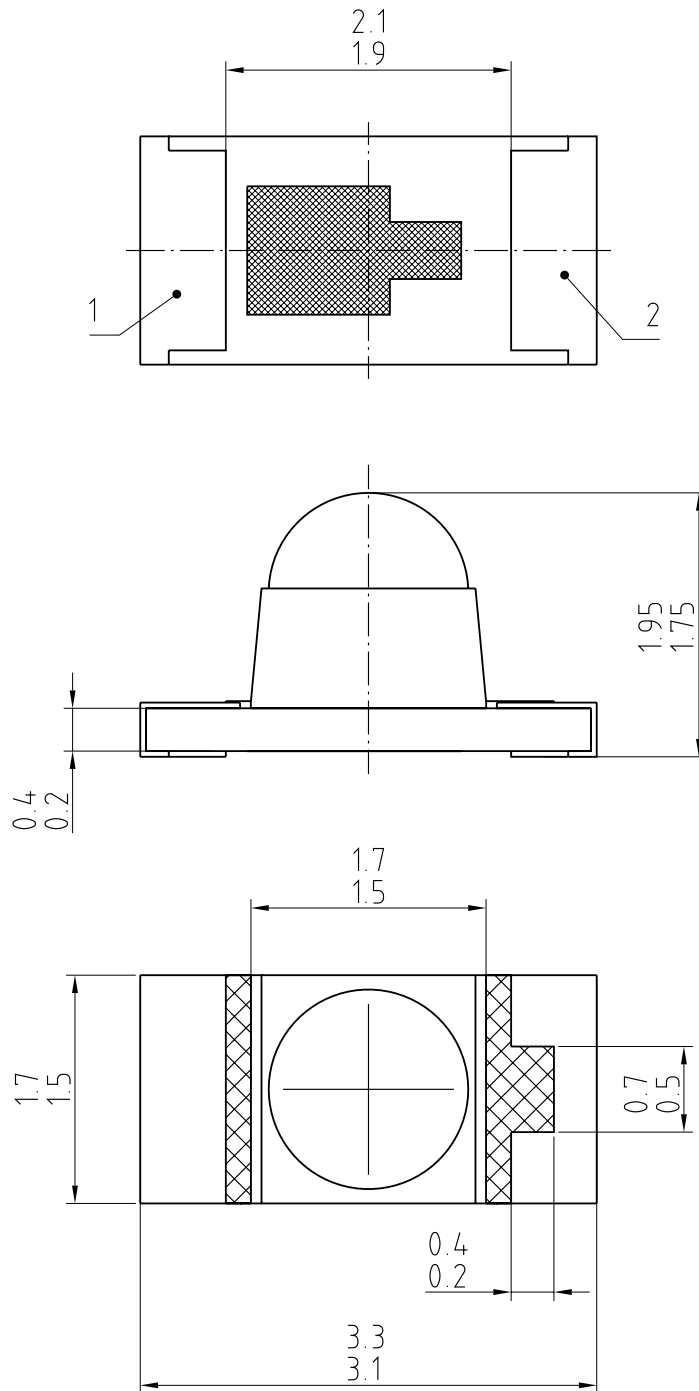


Radiation Characteristics ^{3) page 13}

$$I_{\text{rel}} = f(\phi), T_A = 25^\circ\text{C}$$



Package Outline



Dimensions in mm.

C63062-A4074-A1...-05

Pad	Description
1	Cathode
2	Anode

Package

Chiplid

Approximate Weight:

8 mg

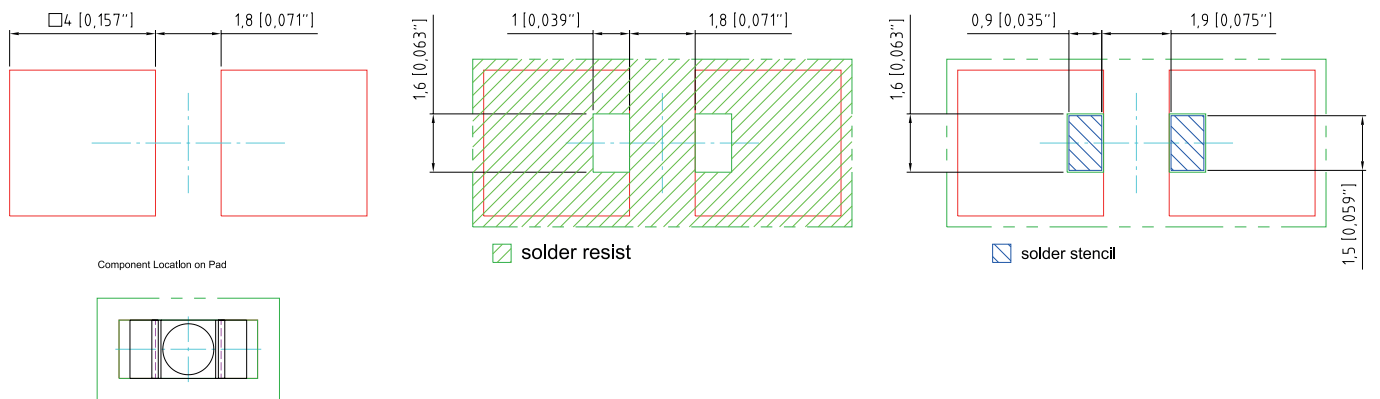
Note:

Package: Epoxy

Note:

Colour: black

Recommended Solder Pad

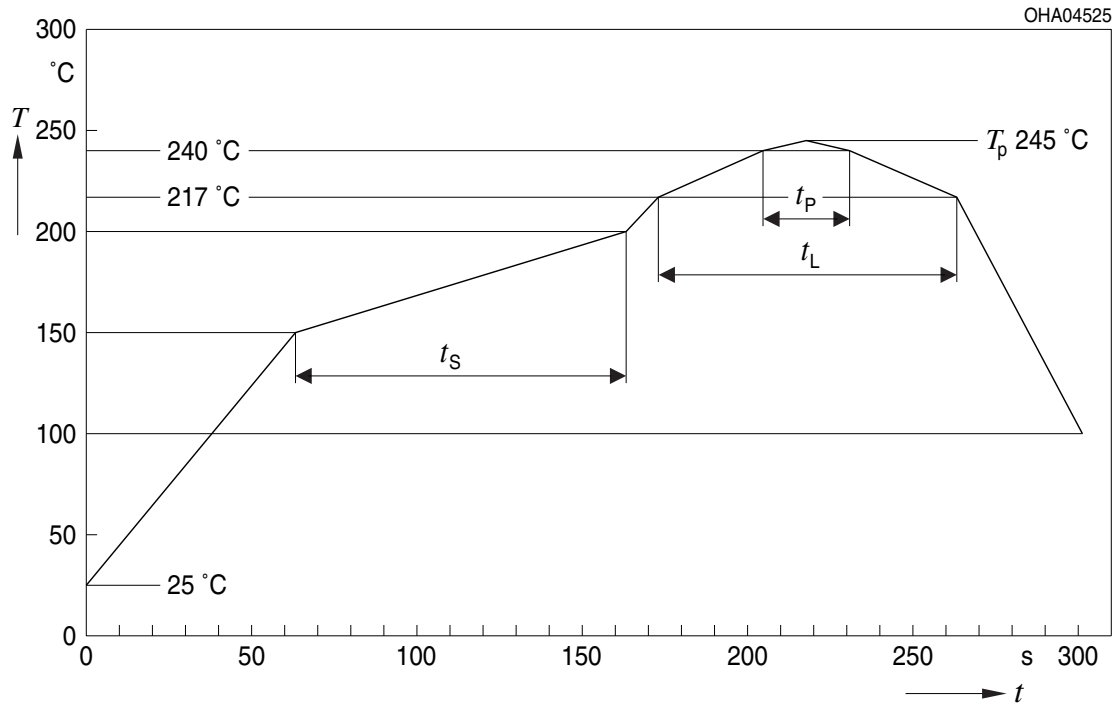


E062.3010.93-01

Dimensions in mm (inch).

Reflow Soldering Profile

Product complies to MSL Level 3 acc. to JEDEC J-STD-020D.01



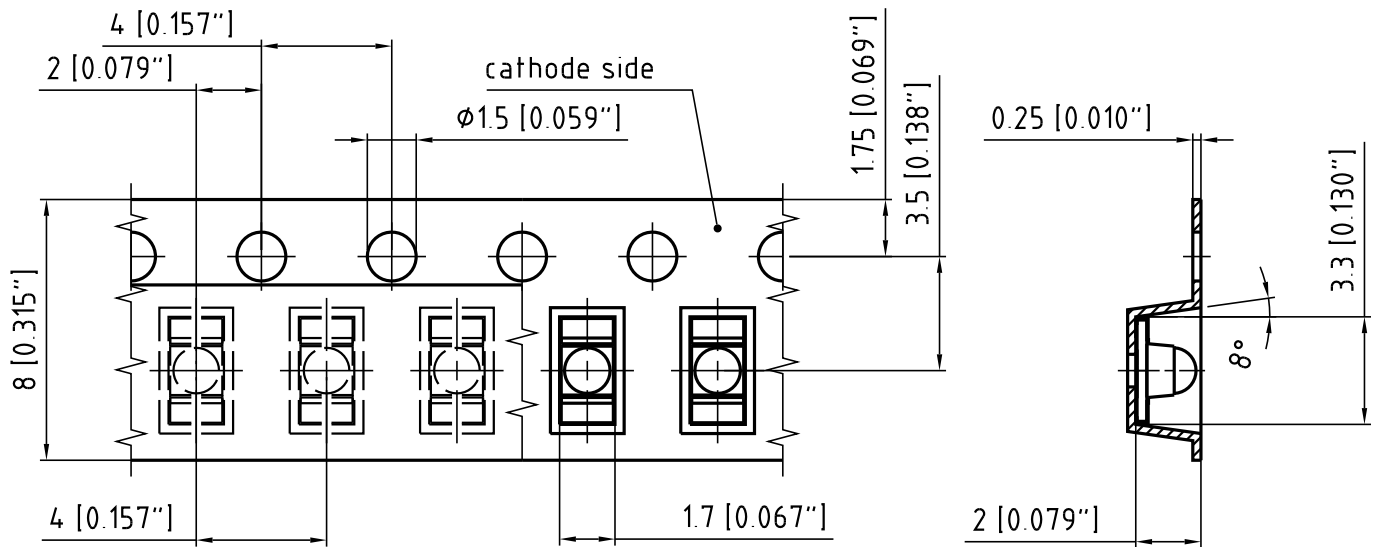
OHA04612

Profile Feature Profil-Charakteristik	Symbol Symbol	Pb-Free (SnAgCu) Assembly			Unit Einheit
		Minimum	Recommendation	Maximum	
Ramp-up rate to preheat*) 25 °C to 150 °C			2	3	K/s
Time t_S T_{Smin} to T_{Smax}	t_S	60	100	120	s
Ramp-up rate to peak*) T_{Smax} to T_P			2	3	K/s
Liquidus temperature	T_L		217		°C
Time above liquidus temperature	t_L		80	100	s
Peak temperature	T_P		245	260	°C
Time within 5 °C of the specified peak temperature $T_P - 5$ K	t_P	10	20	30	s
Ramp-down rate* T_P to 100 °C			3	6	K/s
Time 25 °C to T_P				480	s

All temperatures refer to the center of the package, measured on the top of the component

* slope calculation DT/Dt : Dt max. 5 s; fulfillment for the whole T-range

Taping

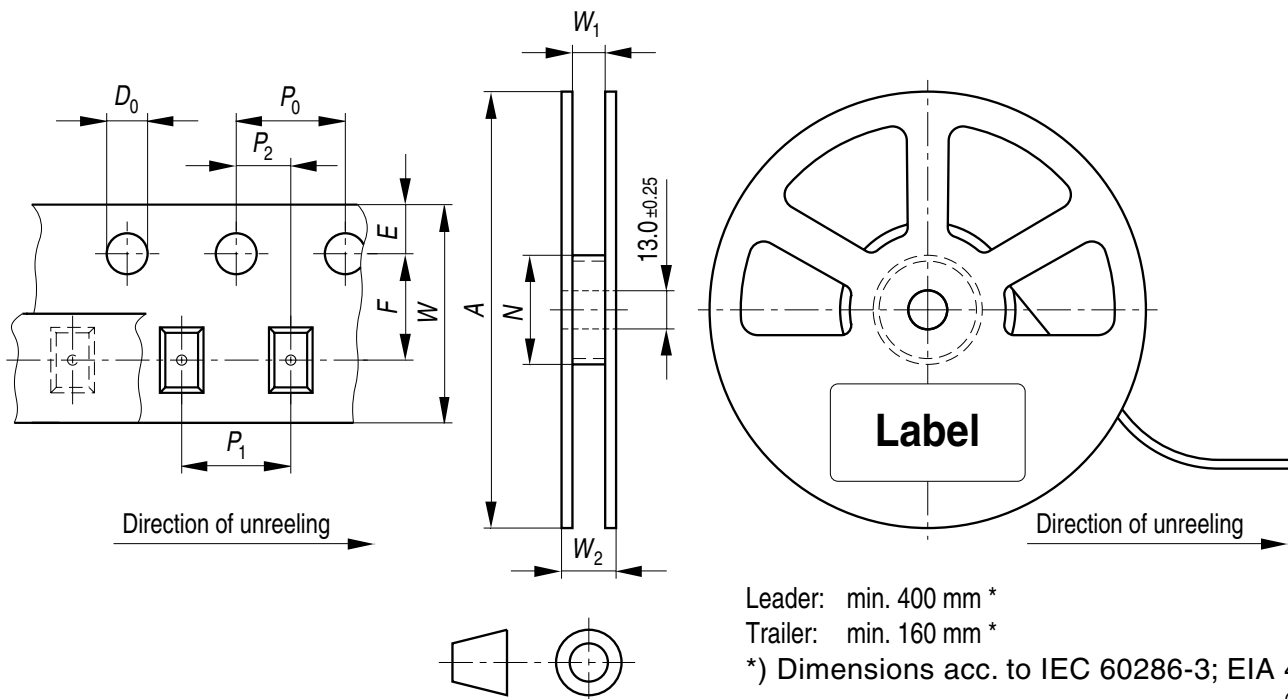


C63062-A4074-B1-01

Dimensions in mm (inch).

Tape and Reel

8 mm tape with 2000 pcs. on ϕ 180 mm reel



OHAY0324

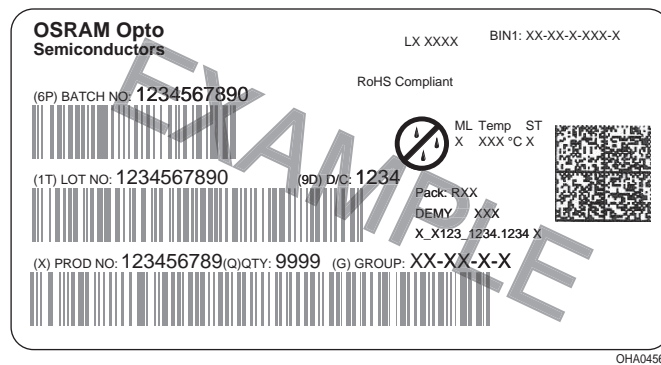
Tape dimensions [mm]

W	P ₀	P ₁	P ₂	D ₀	E	F
8 + 0.3 / -0.1	4 ± 0.1	2 ± 0.05 or 4 ± 0.1	2 ± 0.05	1.5 ± 0.1	1.75 ± 0.1	3.5 ± 0.05

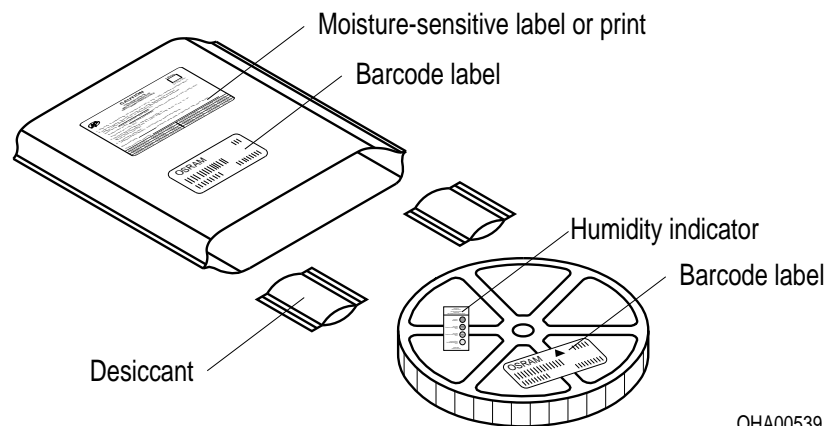
Reel dimensions [mm]

A	W	N _{min}	W ₁	W _{2max}
180	8	60	8.4 + 2	14.4

Barcode-Product-Label (BPL)



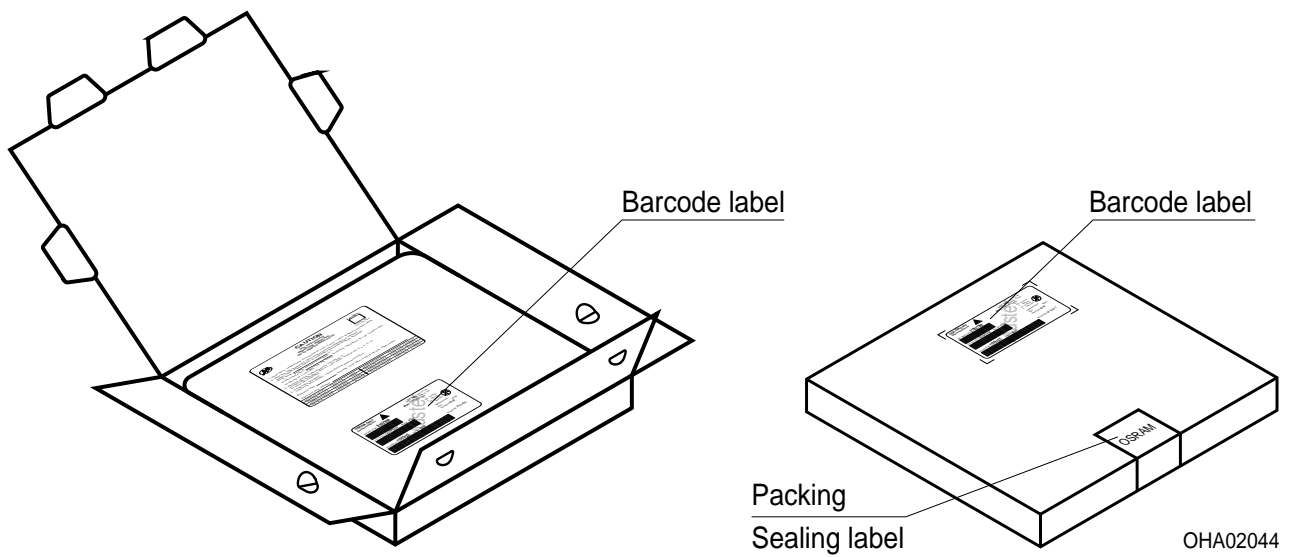
Dry Packing Process and Materials



Note:

Moisture-sensitive product is packed in a dry bag containing desiccant and a humidity card. Regarding dry pack you will find further information in the internet. Here you will also find the normative references like JEDEC.

Transportation Packing and Materials



Dimensions of transportation box in mm

Width	Length	Height
200 ± 5	195 ± 5	30 ± 5

Disclaimer

Language english will prevail in case of any discrepancies or deviations between the two language wordings.

Attention please!

The information describes the type of component and shall not be considered as assured characteristics.

Terms of delivery and rights to change design reserved. Due to technical requirements components may contain dangerous substances.

For information on the types in question please contact our Sales Organization.

If printed or downloaded, please find the latest version in the Internet.

Packing

Please use the recycling operators known to you. We can also help you – get in touch with your nearest sales office.

By agreement we will take packing material back, if it is sorted. You must bear the costs of transport. For packing material that is returned to us unsorted or which we are not obliged to accept, we shall have to invoice you for any costs incurred.

Components used in life-support devices or systems must be expressly authorized for such purpose!

Critical components* may only be used in life-support devices** or systems with the express written approval of OSRAM OS.

*) A critical component is a component used in a life-support device or system whose failure can reasonably be expected to cause the failure of that life-support device or system, or to affect its safety or the effectiveness of that device or system.

**) Life support devices or systems are intended (a) to be implanted in the human body, or (b) to support and/or maintain and sustain human life. If they fail, it is reasonable to assume that the health and the life of the user may be endangered.

Glossary

- 1) **Thermal resistance:** junction -ambient, mounted on PC-board (FR4), pads size 16 mm² each
- 2) **Thermal resistance:** junction - soldering point, of the device only, mounted on an ideal heatsink (e.g. metal block)
- 3) **Typical Values:** Due to the special conditions of the manufacturing processes of LED, the typical data or calculated correlations of technical parameters can only reflect statistical figures. These do not necessarily correspond to the actual parameters of each single product, which could differ from the typical data and calculated correlations or the typical characteristic line. If requested, e.g. because of technical improvements, these typ. data will be changed without any further notice.

Published by OSRAM Opto Semiconductors GmbH
Leibnizstraße 4, D-93055 Regensburg
www.osram-os.com © All Rights Reserved.

EU RoHS and China RoHS compliant product



此产品符合欧盟 RoHS 指令的要求；
按照中国的相关法规和标准，不含有毒有害物质或元素。