

Material

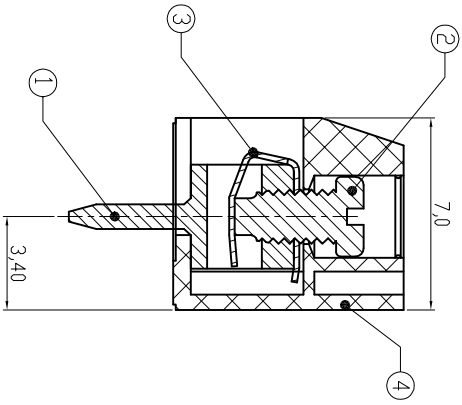
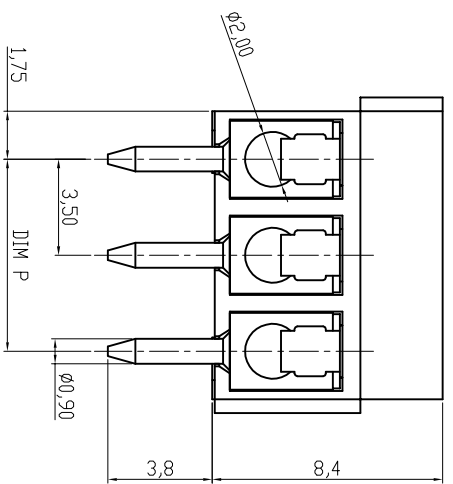
- ① Terminal body(metal housing): Brass(CuZn), Tin plated
- ② Terminal screw: Steel Zinc plating "-" slot type
- ③ Wire guard: Stainless steel
- ④ Insulator (housing): Thermoplastic (UL94V-0) BLACK(RAL9005)

Electrical UL

Voltage rating: 125V  
Current rating: 10A  
Wire range:

Solid wire(AWG): 16-26  
Stranded wire(AWG): 16-26  
Torque(Lb-In): 1.7Lb-In  
Screw: M2

Wire strip length: 5-6mm  
Withstanding Voltage: 1.25KV  
Operating Temperature: -40°C to +115°C  
Soldering temperature: 260°C±5°C/5 Sec  
Safety Approval:



DIMENSION

L	Nx3.5
P	(N-1)x3.5

N=Number of poles

Poles	Tolerance	
	DIM L	DIM P
2p-6p	±0.15	±0.10
7p-12p	±0.20	±0.20
13p-18p	±0.30	±0.25
19p-24p	±0.35	±0.30

**RoHS compliant**  
Unit: mm  
  
File No.: E349947

Scale	Free TOLERANCE
X.	±0.50
X.X	±0.30
X.XX	±0.10
DIM	TOL
Angle	±1°
Angle	TOL

Update	Date	Name
Update to new drawing and add UL	25.03.2016	Amy
Update tolerance table	28.05.2014	Ray
Drawn	19.04.2010	Alex

Customer-No.	ASSMANN WSW-No.	A-TB350-TEXX
Drawing-No.	ASS 4091 CO	rev02
Replace		Sheet



1	2	3	4	5	6	7
H	G	F	E	D	C	B