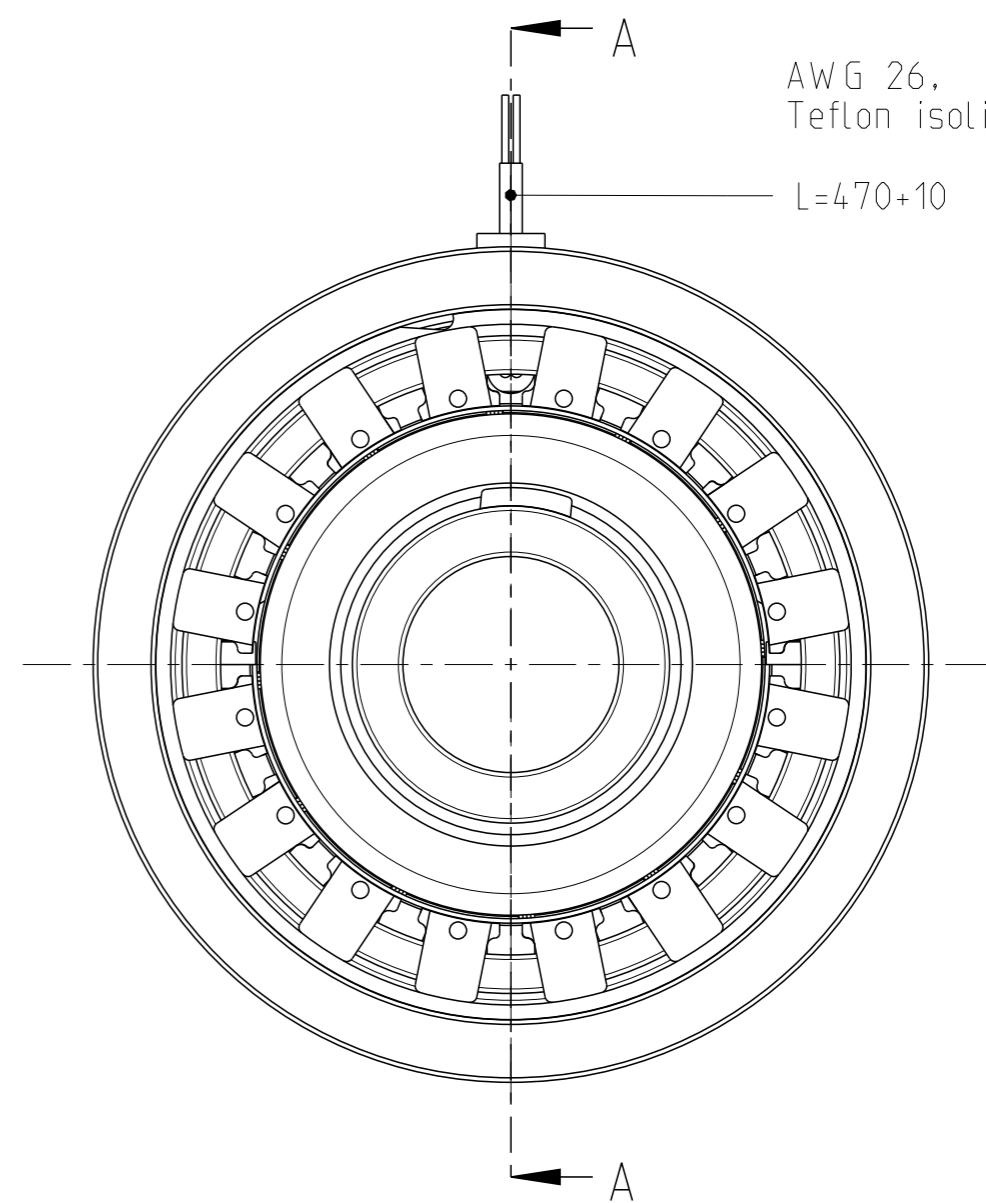
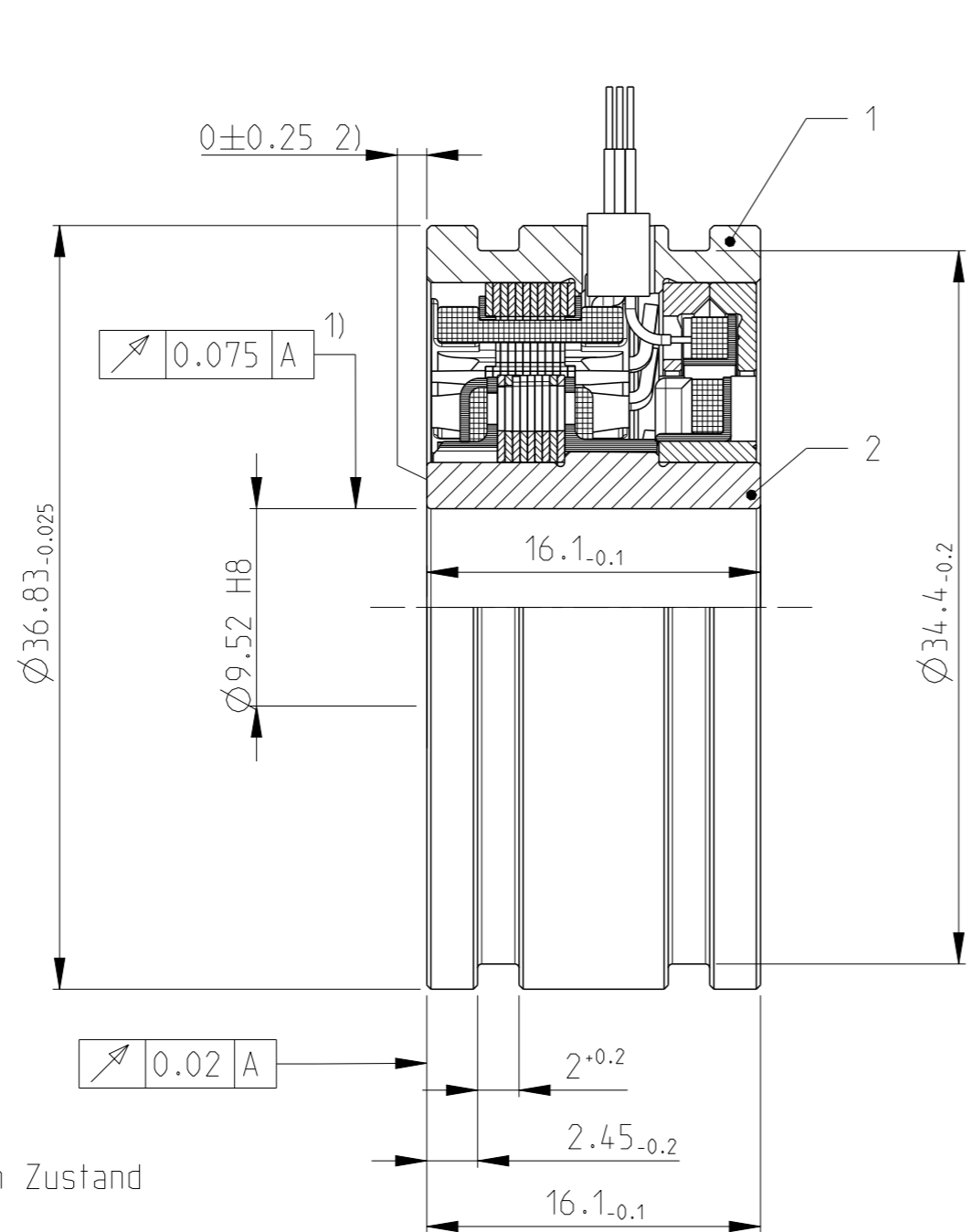


P	LTR	DESCRIPTION	DATE	DWN	APVD
A1		New Drawing	05DEZ2005	Kr	An
C1		ECR-06-011981	18MAY2006	Kr	An
C2		ECR-11-002555	07FEB2011	Kr	An
D		Wire length correction - Restriction removed	19DEC2014	RK	PL

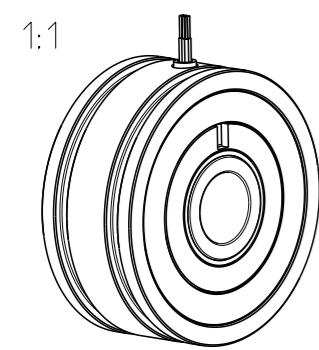
Signal	Aderfarbe
S1	rot
S2	gelb
S3	schwarz
S4	blau
R1	rot-weiss
R2	schwarz-weiss

9.52 H8 +0.022
0

A-A



AWG 26,
Teflon isoliert
L=470+10



1) Gesamtschlag im eingebauten Zustand
2) Axialversatz

SIMILAR TO V23401-S1001-B110

DESCRIPTION	ITEM NO
Rotor kpl. / Bauform B1 (12N)	2
Gehäuse kpl. / Bauform S1	1
PARTS LIST	

THIS DRAWING IS A CONTROLLED DOCUMENT.	
DIMENSIONS: mm	TOLERANCES UNLESS OTHERWISE SPECIFIED:
	0 PLC ±
	1 PLC ±
	2 PLC ±
	3 PLC ±
	4 PLC ±
	ANGLES ±1°
MATERIAL	FINISH

DWN Kraus	24NOV2005
CHK Andrae	07FEB2011
APVD Herker	07FEB2011
PRODUCT SPEC	-
APPLICATION SPEC	-
WEIGHT	-
CUSTOMER DRAWING	

STE TE Connectivity			
NAME Massbild Hohlwellendrehmelder Gr.15 Dimensional Drawing Resolver Sz.15 V23401-S1001-B110			
SIZE A3	CAGE CODE 00779	DRAWING NO C=2-1393047-5	RESTRICTED TO -
SCALE 3:1		SHEET 1 OF 1	REV D