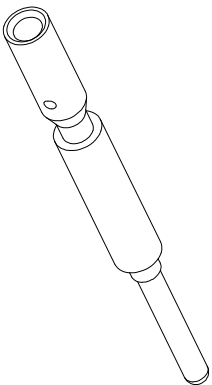
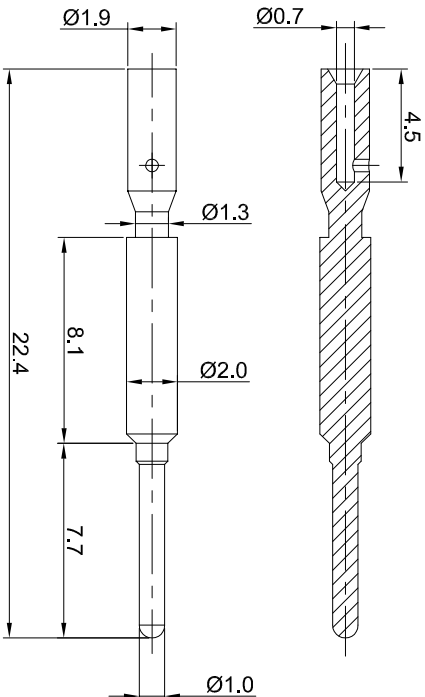


REVISIONS					
REV	ECO	DESCRIPTION	DATE	BY	APPR
B1	-	RELEASE NEW DWG FORMAT	06/16/14	TOD	TOMMY
B2	-	UPDTAED SPECIFICATION	09/14/15	TOD	TOMMY



- NOTES: UNLESS OTHERWISE SPECIFIED
- MATERIAL: COPPER ALLOY, GOLD PLATED
 - SPECIFICATIONS:
 - RATED CURRENT: 10 AMPS
 - CONTACT RESISTANCE: <5 milliohm
 - AVAILABLE WIRE RANGE: 28AWG~24AWG
 - ROHS COMPLIANT
 - ALL DIMENSIONS ARE FOR REFERENCE USE ONLY.

QUANTITY	SEE PART NUMBER CHART	PART NUMBER	DESCRIPTION	ITEM
MATERIALS LIST				
UNLESS OTHERWISE SPECIFIED				
1) All dimensions are in millimeters.				
2) Tolerances are as follows:				
1 Pl. DEC 20.030 Fractions 1/164				
2 Pl. DEC 20.030 Fractions 1/164				
3 Pl. DEC 20.030 Fractions 1/164				
3) Note reference = A				
MATERIAL SPECIFICATIONS:				
CUSTOMER:				
APPROVAL:				
ENGINEER:				
CHECKED:				
DRAWN: td DATE: 06/16/14				
SIGNATURES				
DATE				
THIS DRAWING IS SUPPLIED FOR INFORMATION ONLY. DESIGN FEATURES, SPECIFICATIONS AND PERFORMANCE DATA ARE SUBJECT TO CHANGE WITHOUT NOTICE. THE APPLICABLE SPECIFICATION NO RIGHTS OF REPRODUCTION ARE IMPLIED. ALL MANUFACTURING VARIATIONS.				
PROCESS SPECIFICATIONS:				
NEXT ASSEMBLY:				
SCALE: NONE				
SIZE: B				
TYPE: C-				
DWG NO: SC000146				
REVISION: B2				
Pin contact, 20#, Chimp 28-24AWG				