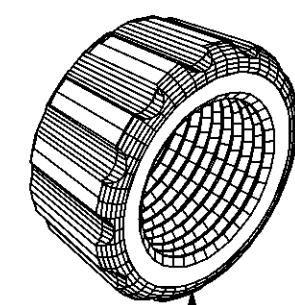
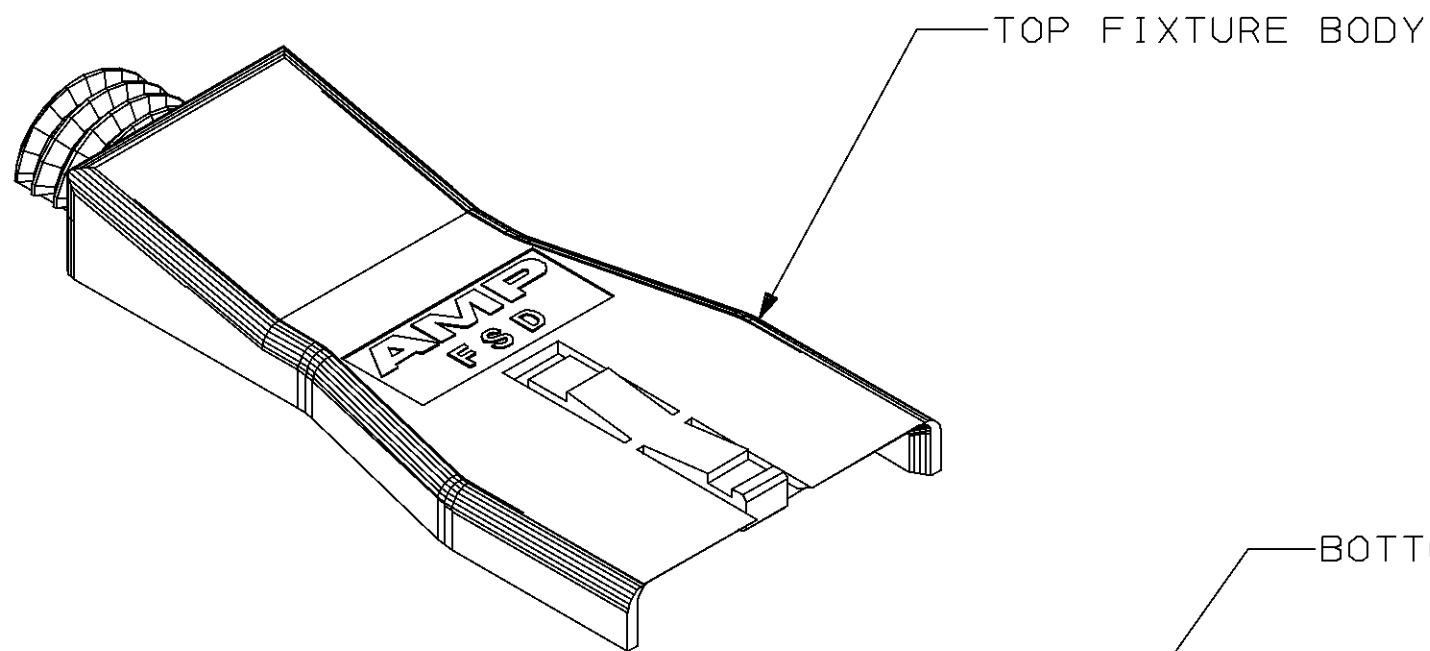


THIS DRAWING IS UNPUBLISHED. RELEASED FOR PUBLICATION ,19 .
 © COPYRIGHT 19 BY AMP INCORPORATED, HARRISBURG, PA. ALL INTERNATIONAL RIGHTS RESERVED. AMP PRODUCTS MAY BE COVERED BY U.S. AND FOREIGN PATENTS AND/OR PATENTS PENDING.

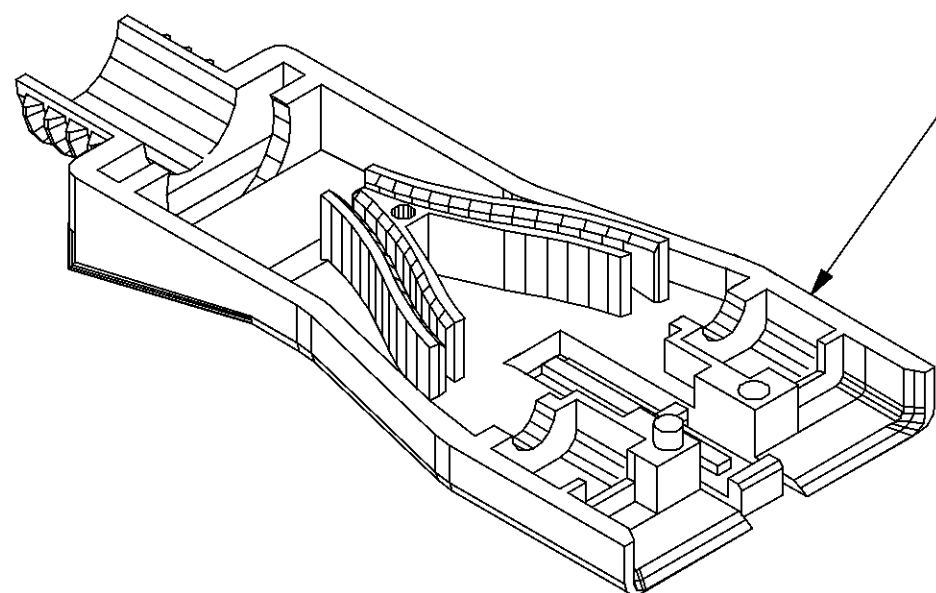
LOC	DIST	P	F	ZONE	LTR	DESCRIPTION	DATE	APPROVED
CE	16				B	REV PER CE-1619	3-15-89	BB/SO
					C	REV PER CE-1924	8-7-90	RH/WS
					D	REV PER 0500-3175-93	11-2-93	BB/GL



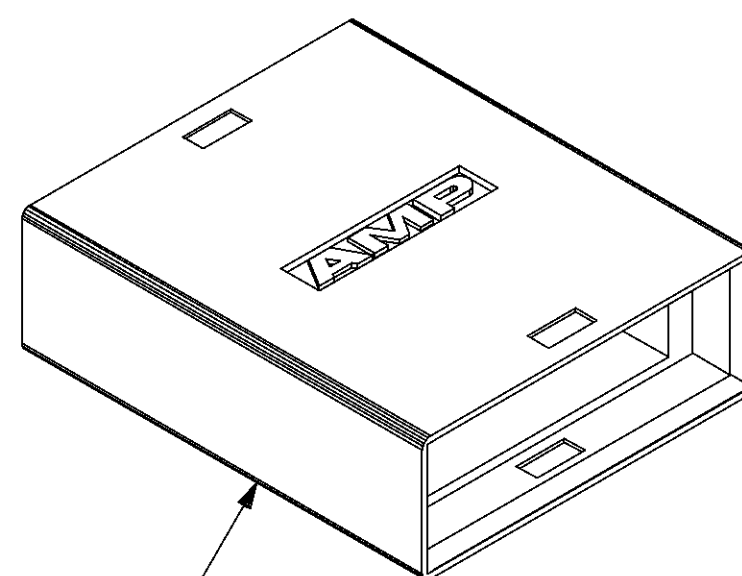
NUT



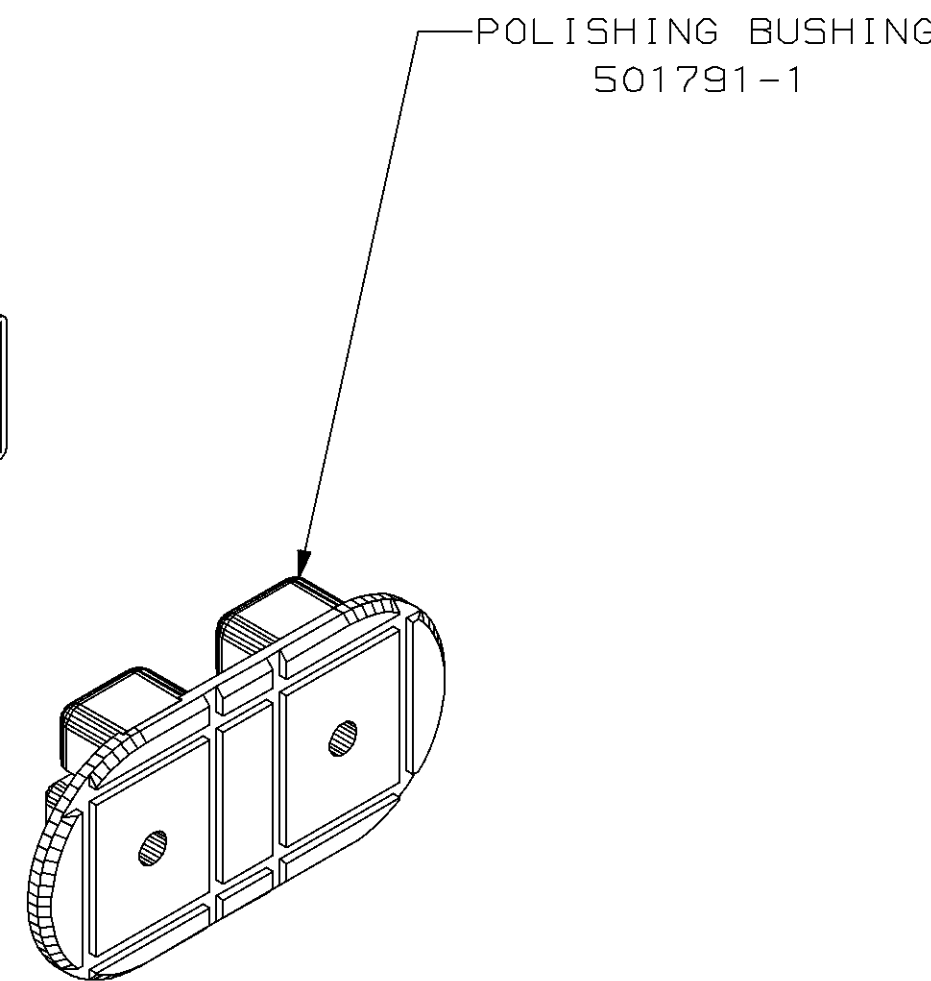
TOP FIXTURE BODY



BOTTOM FIXTURE BODY



PROTECTIVE SLEEVE



POLISHING BUSHING
501791-1

1 FIXTURE BODY, PROTECTIVE SLEEVE, AND NUT: PBT MOLDING COMPOUND
 POLISHING BUSHING: STAINLESS STEEL

RESTRICTED RELEASE
 DRAWING MAY CHANGE WITHOUT
 CUSTOMER NOTIFICATION

UNLESS OTHERWISE SPECIFIED DIMENSIONS ARE IN INCHES TOLERANCES ON :		DR B. BRIGGS 5-13-88	501795-1 PART NO	
2 PL DEC ± -	3 PL DEC ± -	CHK J. ZEIDERS 5-19-88	AMP AMP INCORPORATED Harrisburg, Pa. 17105	
ANGLES ± -		APPD L. BUDD 5-20-88		
MATERIAL		APPD D. THOMPSON 5-20-88	NAME DUPLX ASSY FIXTURE KIT, WITH POLISHING BUSHING, AMP FSD	
1		PRODUCT SPEC -		
FINISH		APPLICATION SPEC -	SIZE C	FSCM NO 00779
POLISHING BUSHING: PASSIVATED		WEIGHT -	DRAWING NO 501795	
			SCALE 2:1	SHEET 1 OF 1