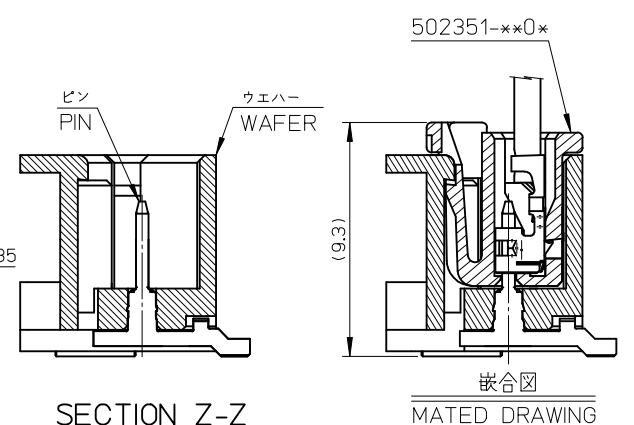
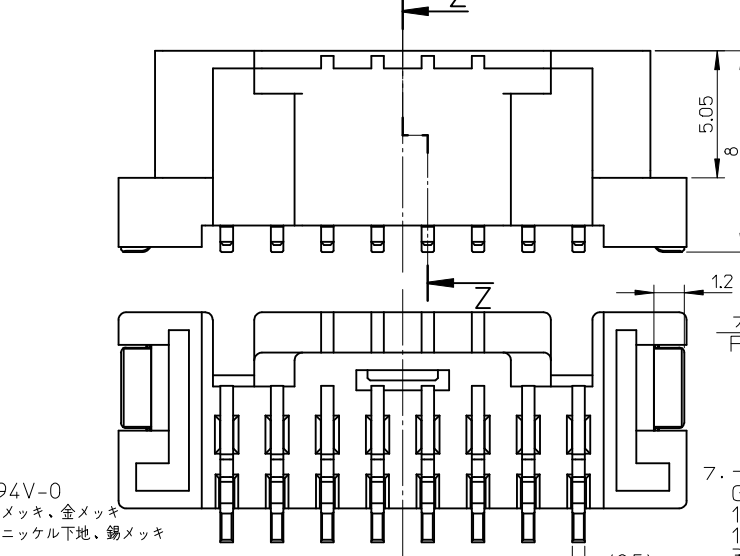


参考基板レイアウト (N=極数)
PCB PATTERN LAYOUT (N:CIRCUIT)

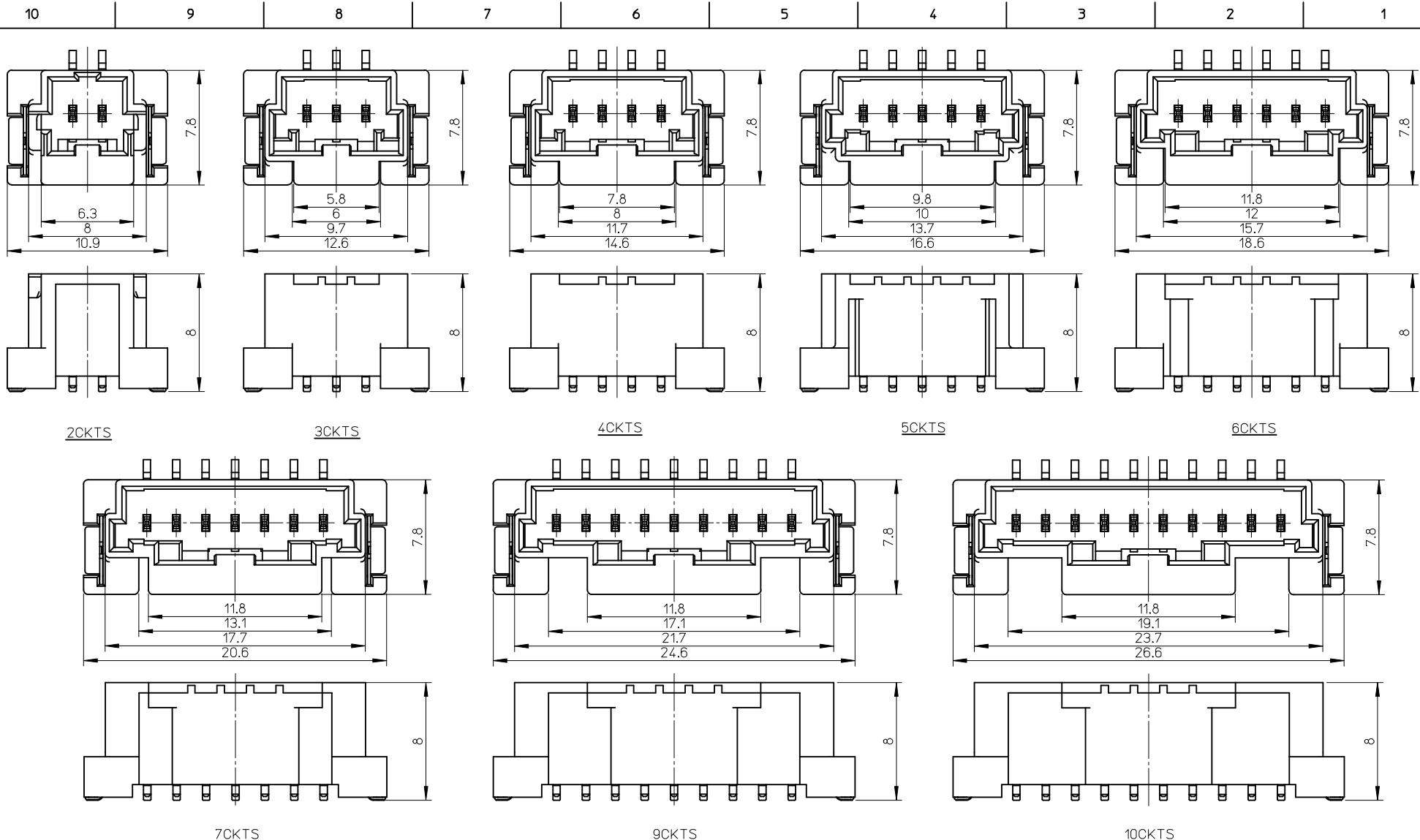


注記
NOTES

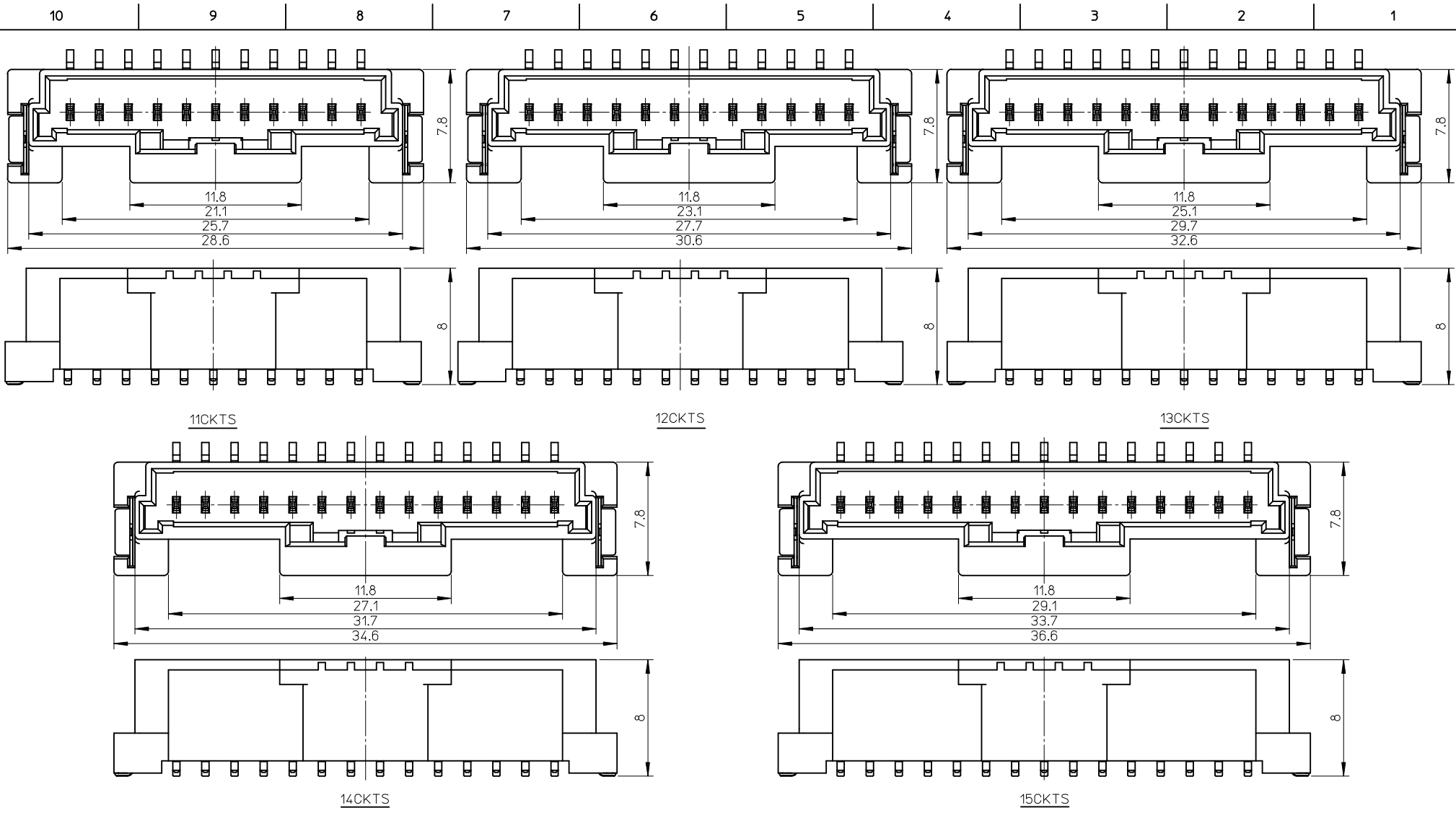
- 材質
ウエハー: 耐熱性ナイロン UL94V-0
ピン: 銅合金、ニッケル下地、錫メッキ、金メッキ
フィッティングネール: 銅合金、ニッケル下地、錫メッキ
MATERIAL
WAFER: POLYAMIDE UL94V-0
PIN: COPPER ALLOY, GOLD OR TIN OVER NICKEL PLATE.
FITTING NAIL: COPPER ALLOY, TIN OVER NICKEL PLATE.
- 色: ナチュラル、黒、赤、青
COLOR: NATURAL, BLACK, RED, BLUE
- 嵌合相手:
ハウジング: 502351-xx0*
錫メッキ端子: 50212-8*00, 50372-8*00, 560085-0101
金メッキ端子: 56161-8*81
MATES WITH
HOUSING: 502351-xx0*
SN PLATING TERMINAL: 50212-8*00, 50372-8*00, 560085-0101
AU PLATING TERMINAL: 56161-8*81
- エンボス梱包品の詳細はSD-560020-002参照
DETAILED TAPING PACKAGE, SEE SD-560020-002
- ELV及びRoHS適合
ELV AND ROHS COMPLIANT
- 半田付け面のコプラナリティ: 0.1mm MAX.
CO-PLANARITY OF SOLDER TAILS TO BE 0.1mm MAX.

- 一般公差
GENERAL TOLERANCES
10 UNDER: 0.2
10 OVER 30 UNDER: 0.25
30 OVER: 0.3
ANGULAR ± 1°

REVISED EC NO: JTR2016-0015 DRW: KIKUNAGA I02 2016/03/01 CHK: D: HKOMATSU 2016/03/04 APPR: MAYAMOTO 2016/03/08	QUALITY SYMBOLS F=0 G=0 P=0	GENERAL TOLERANCES (UNLESS SPECIFIED)		DIMENSION STYLE MM ONLY	SCALE 5:1	DESIGN UNITS METRIC	THIRD ANGLE PROJECTION						
		4 PLACES ± --- ± ---	3 PLACES ± --- ± ---	2 PLACES ± --- ± ---	1 PLACE ± --- ± ---	0 PLACE ± --- ± ---	ANGULAR ± - °	DRAFT WHERE APPLICABLE MUST REMAIN WITHIN DIMENSIONS	DRAWN BY SHSHIBATA	DATE 2009/02/18	TITLE 2.0MM PITCH W/B CONN. WAFER ASSY ST. SMT		
		CHECKED BY HKOMATSU		DATE 2009/02/18		APPROVED BY AKANESHIGE		DATE 2009/02/18		MATERIAL NO.		DOCUMENT NO. SD-560020-001	SHEET NO. 1 OF 4
		SIZE A3		THIS DRAWING CONTAINS INFORMATION THAT IS PROPRIETARY TO MOLEX INCORPORATED AND SHOULD NOT BE USED WITHOUT WRITTEN PERMISSION									



REVISED EC NO: JTR2016-0015 DRWN:KAGAI02 2016/03/01 CHKD:HKOMATSU 2016/03/04 APPR:YAYAMOTO 2016/03/08	QUALITY SYMBOLS $\nabla = 0$ $\nabla = 0$ $\nabla = 0$	GENERAL TOLERANCES (UNLESS SPECIFIED)		DIMENSION STYLE MM ONLY	SCALE 4:1	DESIGN UNITS METRIC	THIRD ANGLE PROJECTION		
		4 PLACES \pm --- \pm --- 3 PLACES \pm --- \pm --- 2 PLACES \pm --- \pm --- 1 PLACE \pm --- \pm --- 0 PLACE \pm --- \pm ---	mm INCH	DRAWN BY SHSHIBATA	DATE 2009/02/18	TITLE 2.0MM PITCH W/B CONN. WAFER ASSY ST. SMT			
		ANGULAR \pm - °		CHECKED BY HKOMATSU	DATE 2009/02/18	molex			
		DRAFT WHERE APPLICABLE MUST REMAIN WITHIN DIMENSIONS		APPROVED BY AKANESHIGE	DATE 2009/02/18	MATERIAL NO.	DOCUMENT NO. SD-560020-001	SHEET NO. 2 OF 4	
SEE CHART		THIS DRAWING CONTAINS INFORMATION THAT IS PROPRIETARY TO MOLEX INCORPORATED AND SHOULD NOT BE USED WITHOUT WRITTEN PERMISSION							



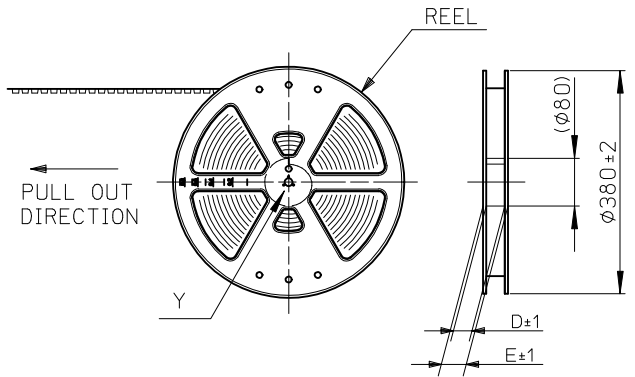
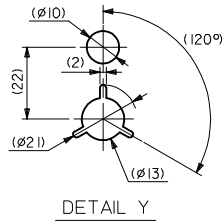
REVISED EC NO: JTR2016-0015 G DRW:KNAGA I02 2016/03/01 CHKD:HKOMATSU 2016/03/04 APPR:MIYAMOTO 2016/03/08	QUALITY SYMBOLS ∇ = 0 ∇ = 0 ∇ = 0	GENERAL TOLERANCES (UNLESS SPECIFIED)		DIMENSION STYLE MM ONLY	SCALE 4:1	DESIGN UNITS METRIC	THIRD ANGLE PROJECTION																												
		<table border="1"> <thead> <tr> <th></th> <th>mm</th> <th>INCH</th> </tr> </thead> <tbody> <tr> <td>4 PLACES</td> <td>± ---</td> <td>± ---</td> </tr> <tr> <td>3 PLACES</td> <td>± ---</td> <td>± ---</td> </tr> <tr> <td>2 PLACES</td> <td>± ---</td> <td>± ---</td> </tr> <tr> <td>1 PLACE</td> <td>± ---</td> <td>± ---</td> </tr> <tr> <td>0 PLACE</td> <td>± ---</td> <td>± ---</td> </tr> </tbody> </table>		mm	INCH	4 PLACES	± ---	± ---	3 PLACES	± ---	± ---	2 PLACES	± ---	± ---	1 PLACE	± ---	± ---	0 PLACE	± ---	± ---	<table border="1"> <thead> <tr> <th>DRAWN BY</th> <th>DATE</th> <th>TITLE</th> </tr> </thead> <tbody> <tr> <td>SHSHIBATA</td> <td>2009/02/18</td> <td rowspan="4"> 2.0MM PITCH W/B CONN. WAFER ASSY ST. SMT molex </td> </tr> <tr> <td>CHECKED BY</td> <td>DATE</td> </tr> <tr> <td>APPROVED BY</td> <td>DATE</td> </tr> <tr> <td>AKANESHIGE</td> <td>2009/02/18</td> </tr> </tbody> </table>	DRAWN BY	DATE	TITLE	SHSHIBATA	2009/02/18	2.0MM PITCH W/B CONN. WAFER ASSY ST. SMT molex	CHECKED BY	DATE	APPROVED BY	DATE	AKANESHIGE	2009/02/18	DOCUMENT NO. SD-560020-001	SHEET NO. 3 OF 4
			mm	INCH																															
		4 PLACES	± ---	± ---																															
3 PLACES	± ---	± ---																																	
2 PLACES	± ---	± ---																																	
1 PLACE	± ---	± ---																																	
0 PLACE	± ---	± ---																																	
DRAWN BY	DATE	TITLE																																	
SHSHIBATA	2009/02/18	2.0MM PITCH W/B CONN. WAFER ASSY ST. SMT molex																																	
CHECKED BY	DATE																																		
APPROVED BY	DATE																																		
AKANESHIGE	2009/02/18																																		
DRAFT WHERE APPLICABLE MUST REMAIN WITHIN DIMENSIONS	ANGULAR ± - °	SEE CHART	THIS DRAWING CONTAINS INFORMATION THAT IS PROPRIETARY TO MOLEX INCORPORATED AND SHOULD NOT BE USED WITHOUT WRITTEN PERMISSION																																

	10	9	8	7	6	5	4	3	2	1				
F	Sn NATURAL	11.8	29.1	33.7	36.6	560020-1520	15	Au NATURAL	11.8	29.1	33.7	36.6	560020-1530	15
		11.8	27.1	31.7	34.6	560020-1420	14		11.8	27.1	31.7	34.6	560020-1430	14
		11.8	25.1	29.7	32.6	560020-1320	13		11.8	25.1	29.7	32.6	560020-1330	13
		11.8	23.1	27.7	30.6	560020-1220	12		11.8	23.1	27.7	30.6	560020-1230	12
		11.8	21.1	25.7	28.6	560020-1120	11		11.8	21.1	25.7	28.6	560020-1130	11
		11.8	19.1	23.7	26.6	560020-1020	10		11.8	19.1	23.7	26.6	560020-1030	10
		11.8	17.1	21.7	24.6	560020-0920	9		11.8	17.1	21.7	24.6	560020-0930	9
		11.8	15.1	19.7	22.6	560020-0800/-0820	8		11.8	15.1	19.7	22.6	560020-0830	8
		11.8	13.1	17.7	20.6	560020-0700/-0720	7		11.8	13.1	17.7	20.6	560020-0730	7
		11.8	12	15.7	18.6	560020-0600/-0620	6		11.8	12	15.7	18.6	560020-0630	6
		9.8	10	13.7	16.6	560020-0500/-0520	5		9.8	10	13.7	16.6	560020-0530	5
		7.8	8	11.7	14.6	560020-0400/-0420	4		7.8	8	11.7	14.6	560020-0430	4
5.8	6	9.7	12.6	560020-0300/-0320	3	5.8	6	9.7	12.6	560020-0330	3			
6.3	/	8.0	10.9	560020-0200/-0220	2	6.3	/	8.0	10.9	560020-0230	2			
PLATING	D	C	B	A	EMBOSSED PACKAGE ORDER NO.	CKTS	PLATING	D	C	B	A	EMBOSSED PACKAGE ORDER NO.	CKTS	
CONNECTOR SERIES NO. 560020-**08							CONNECTOR SERIES NO. 560020-**18							

D	Sn BLACK	/	/	/	/	/	15	Sn RED	/	/	/	/	/	/	15	Sn BLUE	/	/	/	/	/	/	/	/	/	15		
		/	/	/	/	/	14		/	/	/	/	/	/	/		14	/	/	/	/	/	/	/	/	14		
		/	/	/	/	/	13		/	/	/	/	/	/	/		13	/	/	/	/	/	/	/	/	/	13	
		/	/	/	/	/	12		/	/	/	/	/	/	/		12	/	/	/	/	/	/	/	/	/	12	
		/	/	/	/	/	11		/	/	/	/	/	/	/		11	/	/	/	/	/	/	/	/	/	/	11
		/	/	/	/	/	10		/	/	/	/	/	/	/		10	/	/	/	/	/	/	/	/	/	/	10
		11.8	15.1	19.7	22.6	560020-0821	8		11.8	15.1	19.7	22.6	560020-0822	8	11.8		15.1	19.7	22.6	560020-0823	8							
		/	/	/	/	/	7		/	/	/	/	/	/	/		/	7	/	/	/	/	/	/	/	/	/	7
		11.8	12	15.7	18.6	560020-0621	6		11.8	12	15.7	18.6	560020-0622	6	11.8		12	15.7	18.6	560020-0623	6							
		/	/	/	/	/	5		/	/	/	/	/	/	/		/	5	/	/	/	/	/	/	/	/	/	5
		7.8	8	11.7	14.6	560020-0421	4		7.8	8	11.7	14.6	560020-0422	4	7.8		8	11.7	14.6	560020-0423	4							
		5.8	6	9.7	12.6	560020-0321	3		5.8	6	9.7	12.6	560020-0322	3	5.8		6	9.7	12.6	560020-0323	3							
6.3	/	8.0	10.9	560020-0221	2	6.3	/	8.0	10.9	560020-0222	2	6.3	/	8.0	10.9	560020-0223	2											
PLATING	D	C	B	A	EMBOSSED PACKAGE ORDER NO.	CKTS	PLATING	D	C	B	A	EMBOSSED PACKAGE ORDER NO.	CKTS	PLATING	D	C	B	A	EMBOSSED PACKAGE ORDER NO.	CKTS								
CONNECTOR SERIES NO. 560020-**28							CONNECTOR SERIES NO. 560020-**48							CONNECTOR SERIES NO. 560020-**68														

REVISED	EC NO: JTR2016-0015	QUALITY SYMBOLS	GENERAL TOLERANCES (UNLESS SPECIFIED)	DIMENSION STYLE MM ONLY	SCALE 5:1	DESIGN UNITS METRIC	THIRD ANGLE PROJECTION				
	DRINKNAGA I02 2016/03/01							4 PLACES ± --- ± ---	DRAWN BY	DATE	TITLE
	CHKD-HKOMATSU 2016/03/04							3 PLACES ± --- ± ---	SHSHIBATA	2009/02/18	2.0MM PITCH W/B CONN. WAFER ASSY ST. SMT
	APPR: MAYAMOTO 2016/03/08							2 PLACES ± --- ± ---	CHKD BY	DATE	
	1 PLACE ± --- ± ---	HKOMATSU	2009/02/18								
	0 PLACE ± --- ± ---	APPROVED BY	DATE								
			ANGULAR ± - °								
			DRAFT WHERE APPLICABLE MUST REMAIN WITHIN DIMENSIONS	SEE CHART							
				SIZE A3	THIS DRAWING CONTAINS INFORMATION THAT IS PROPRIETARY TO MOLEX INCORPORATED AND SHOULD NOT BE USED WITHOUT WRITTEN PERMISSION						
						DOCUMENT NO. SD-560020-001	SHEET NO. 4 OF 4				

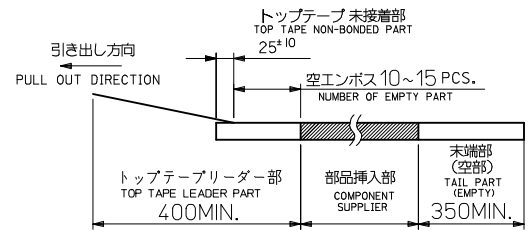
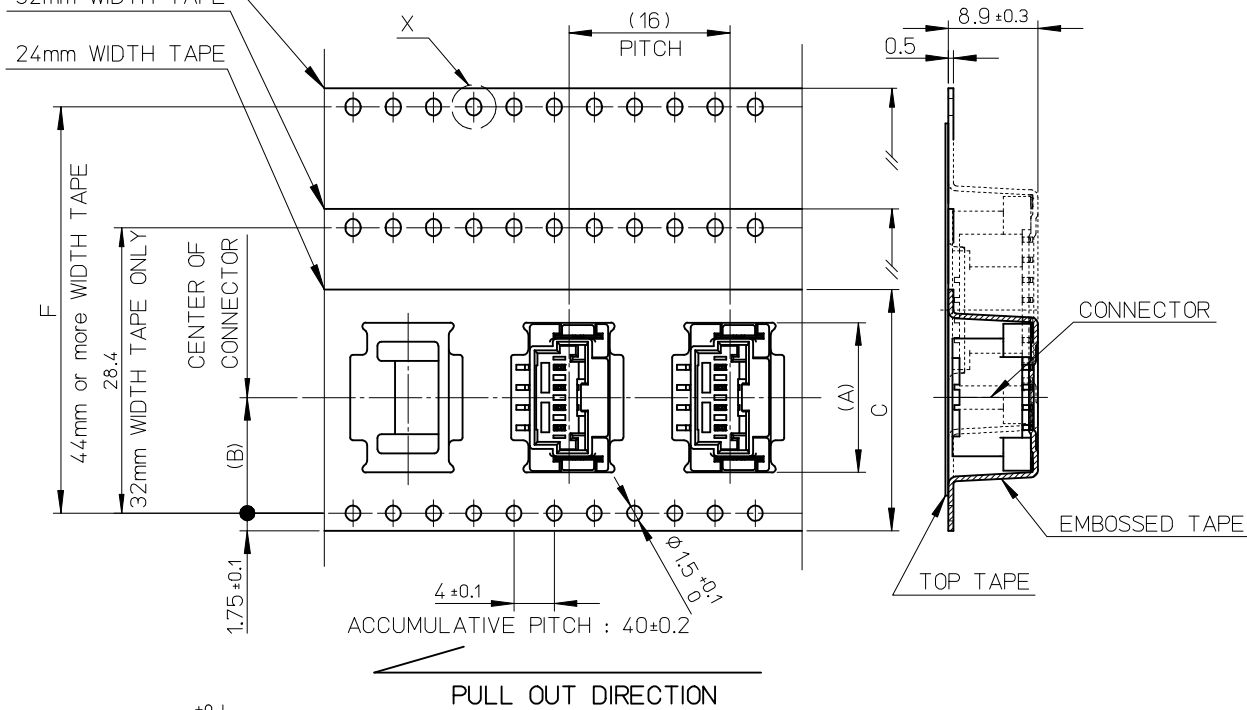
10 9 8 7 6 5 4 3 2 1



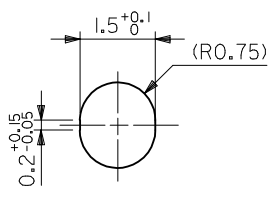
NOTES

- 製品番号:
 ナチュラル・錫めっき 560020-**20
 ナチュラル・金めっき 560020-**30
 黒・錫めっき 560020-**21
 赤・錫めっき 560020-**22
 青・錫めっき 560020-**23
 詳細寸法については、製品単体図面を参照ください。
 PART NO.
 NATURAL・Sn Plating 5600020-**20
 NATURAL・Au Plating 560020-**30
 BLACK・Sn Plating 5600020-**21
 RED・Sn Plating 5600020-**22
 BLUE・Sn Plating 5600020-**23
 SEE SALES DRAWING FOR CONNECTOR
- 梱包数量: 650個/REEL
 NUMBER OF CONNECTORS 650 PCS/REEL
- リードテープ長さ
 LEAD TAPE LENGTH

44mm or more
WIDTH TAPE
32mm WIDTH TAPE
24mm WIDTH TAPE



- 材料
 MATERIAL
 キャリアテープ: ポリスチレン
 CARRIER TAPE: POLYSTYRENE
 トップテープ: PET, PE, PEF
 TOP TAPE
 リール: ポリスチレン
 REEL: POLYSTYRENE
- 一般公差
 GENERAL TOLERANCES
 10 UNDER: 0.2
 10 OVER 30 UNDER: 0.25
 30 OVER: 0.3
 ANGULAR: ±1°



DETAIL X
(SCALE 10:1)

PULL OUT DIRECTION
DIRECTION OF CONNECTOR
IN EMBOSSED TAPE

REVISED EC NO: JTR2016-0015 DRWN:KINAGAI 2016/03/01 CHKD:HKOMATSU 2016/03/04 APPR: MAYAMAMOTO 2016/03/08	QUALITY SYMBOLS F ₁ = 0 F ₂ = 0 F ₃ = 0	GENERAL TOLERANCES (UNLESS SPECIFIED)		DIMENSION STYLE MM ONLY	SCALE 2:1	DESIGN UNITS METRIC	THIRD ANGLE PROJECTION							
		4 PLACES ± --- ± ---	3 PLACES ± --- ± ---	2 PLACES ± --- ± ---	1 PLACE ± --- ± ---	0 PLACE ± --- ± ---	ANGULAR ± - °	DRAFT WHERE APPLICABLE MUST REMAIN WITHIN DIMENSIONS	DRAWN BY YTAMAKI	DATE 2014/05/23	TITLE 2.0MM PITCH W/B ST. WAFER ASSY EMBOSSED TAPE PACKAGE			
		3 PLACES ± --- ± ---	2 PLACES ± --- ± ---	1 PLACE ± --- ± ---	0 PLACE ± --- ± ---	ANGULAR ± - °	DRAFT WHERE APPLICABLE MUST REMAIN WITHIN DIMENSIONS	CHECKED BY HKOMATSU	DATE 2014/05/23	APPROVED BY MAYAMAMOTO	DATE 2014/06/30	MATERIAL NO. SEE CHART	DOCUMENT NO. SD-560020-003	SHEET NO. 1 OF 2
		SIZE A3		THIS DRAWING CONTAINS INFORMATION THAT IS PROPRIETARY TO MOLEX INCORPORATED AND SHOULD NOT BE USED WITHOUT WRITTEN PERMISSION										

9 8 7 6 5 4 3 2 1

	10					9					8					7					6					5					4					3					2					1					
F	Sn NATURAL	52.4	61.4	57.4	56	26.2	36.9	560020-1520	15	Au NATURAL	52.4	61.4	57.4	56	26.2	36.9	560020-1530	15	PLATING	F	E	D	C	(B)	(A)	エンボス梱包品 製品番号 MATERIAL NO.	CIRCUITS	PLATING	F	E	D	C	(B)	(A)	エンボス梱包品 製品番号 MATERIAL NO.	CIRCUITS															
		34.9	560020-1420	14	34.9	560020-1430	14	32.9	560020-1320		13	32.9	560020-1330	13	30.9	560020-1220	12	30.9		560020-1230	12	28.9	560020-1120	11	28.9	560020-1130	11	26.9	560020-1020	10	26.9	560020-1030	10	24.9	560020-0920	09	24.9	560020-0930	09	22.9	560020-0820	08	22.9	560020-0830	08	20.9	560020-0720	07	20.9	560020-0730	07
		28.4	37.4	33.4	32	14.2	18.9	560020-0620	06		28.4	37.4	33.4	32	14.2	18.9	560020-0630	06		16.9	560020-0520	05	16.9	560020-0530	05	14.9	560020-0420	04	14.9	560020-0430	04	12.9	560020-0320	03	12.9	560020-0330	03	11.2	560020-0220	02	11.2	560020-0230	02								
		29.4	25.4	24	11.5	14.9	560020-0420	04	29.4		25.4	24	11.5	14.9	560020-0430	04	12.9	560020-0320		03	12.9	560020-0330	03	11.2	560020-0220	02	11.2	560020-0230	02																						

D	Sn BLACK	40.4	49.4	45.4	44	20.2	Sn RED	40.4	49.4	45.4	44	20.2	Sn BLUE	40.4	49.4	45.4	44	20.2	15	PLATING	F	E	D	C	(B)	(A)	エンボス梱包品 製品番号 MATERIAL NO.	CIRCUITS	PLATING	F	E	D	C	(B)	(A)	エンボス梱包品 製品番号 MATERIAL NO.	CIRCUITS	PLATING	F	E	D	C	(B)	(A)	エンボス梱包品 製品番号 MATERIAL NO.	CIRCUITS					
		22.9	560020-0821	08	22.9	560020-0822		08	22.9	560020-0823	08	14		18.9	560020-0621	06	18.9	560020-0622	06		18.9	560020-0623	06	13	14.9	560020-0421	04	14.9	560020-0422	04	14.9	560020-0423	04	12.9	560020-0321	03	12.9	560020-0322	03	12.9	560020-0323	03	11.2	560020-0221	02	11.2	560020-0222	02	11.2	560020-0223	02
		28.4	37.4	33.4	32	14.2		28.4	37.4	33.4	32	14.2		28.4	37.4	33.4	32	14.2	10		29.4	25.4	24	11.5	29.4	25.4	24	11.5	29.4	25.4	24	11.5	09	07	07	05	05	05	05												
		14.9	560020-0421	04	14.9	560020-0422		04	14.9	560020-0423	04	09		07	07	05	05	05	05																																

REVISED EC NO: JTR2016-0015 DRWN:KAGA I02 2016/03/01 CHKD:HKOMATSU 2016/03/04 APPR: MAYAMAMOTO 2016/03/08	QUALITY SYMBOLS ▽ _A = 0 ▽ _B = 0 ▽ _C = 0	DESCRIPTION	GENERAL TOLERANCES (UNLESS SPECIFIED)		DIMENSION STYLE MM ONLY		SCALE 2:1	DESIGN UNITS METRIC	THIRD ANGLE PROJECTION			
			4 PLACES ± --- ± ---	3 PLACES ± --- ± ---	2 PLACES ± --- ± ---	1 PLACE ± --- ± ---	0 PLACE ± --- ± ---	mm	INCH	DRAWN BY YTAMAKI	DATE 2014/05/23	TITLE 2.0MM PITCH W/B ST. WAFER ASSY EMBOSSED TAPE PACKAGE
			ANGULAR ± °		DRAFT WHERE APPLICABLE MUST REMAIN WITHIN DIMENSIONS		SIZE A3	SEE CHART		DOCUMENT NO. SD-560020-003		SHEET NO. 2 OF 2
			THIS DRAWING CONTAINS INFORMATION THAT IS PROPRIETARY TO MOLEX INCORPORATED AND SHOULD NOT BE USED WITHOUT WRITTEN PERMISSION									