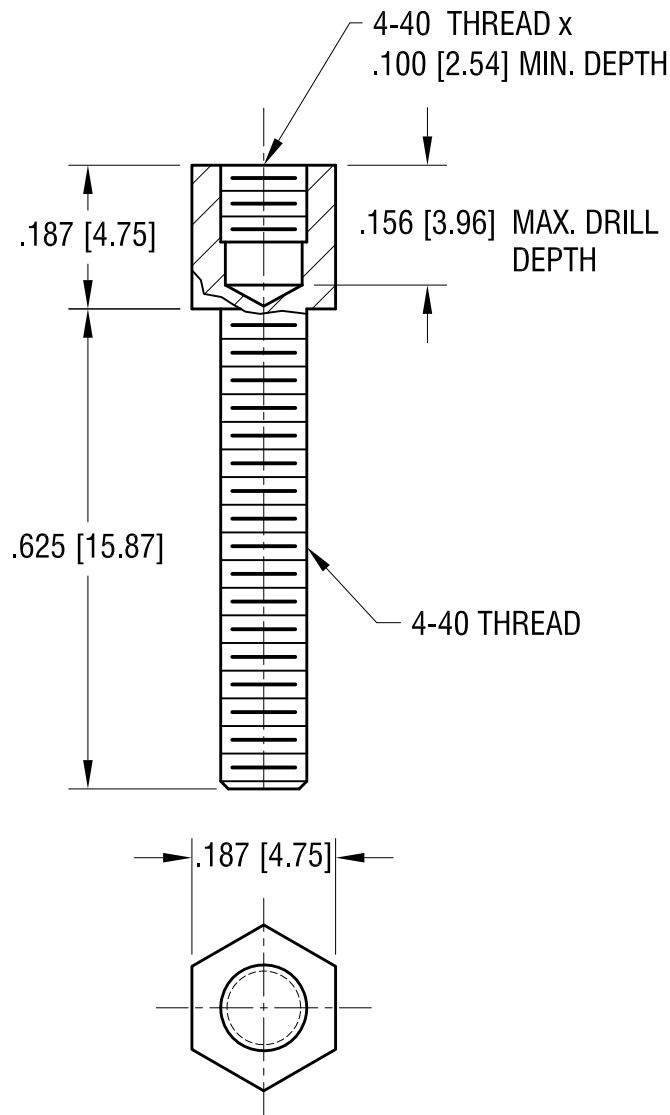


THIS DOCUMENT IS THE PROPERTY OF  
KEYSTONE ELECTRONICS CORP. AND  
SHALL NOT BE REPRODUCED, DISTRIBUTED  
OR USED AS A BASIS FOR MANUFACTURE  
WITHOUT PRIOR WRITTEN PERMISSION  
FROM KEYSTONE ELECTRONICS CORP.



NOTE:

1. FINISH: ZINC PLATE, TRIVALENT  
YELLOW CHROMATE

**KEYSTONE ELECTRONICS CORP.**

www.keyelco.com • ASTORIA, N.Y. 11105-2017 • Tel (718) 956-8900

PART NAME

JACK SCREW

MATERIAL

STEEL

FINISH

AS NOTED

DRN BY

BOONE

DATE

11.14.83

APP'D

LN

SCALE

4X

TOLERANCES

INCH [MM]

DECIMAL

± .005 [± 0.15]

ANGULAR ± 1°

UNLESS OTHERWISE SPECIFIED

CODE

C/M

DWG NO.

7232

8.17.09

CHANGE AS PER ECN 09-116

C

5.9.05

CHANGE AS PER ECN 05-024

B

DATE

DESCRIPTION

REV.