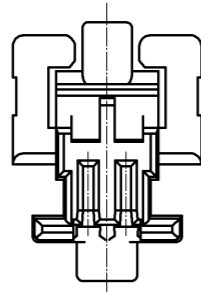
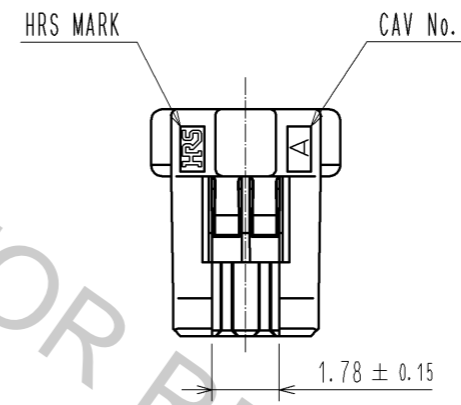
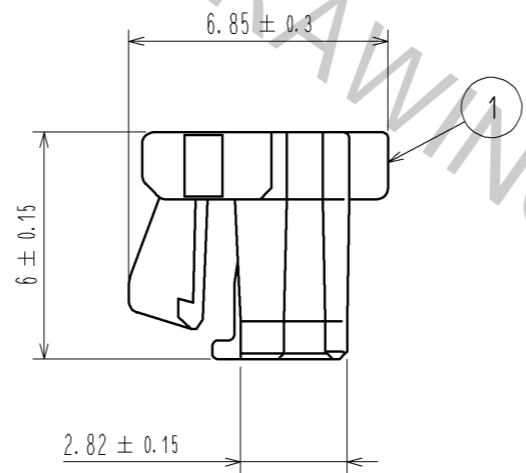
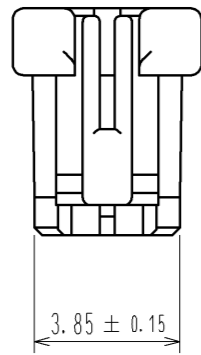
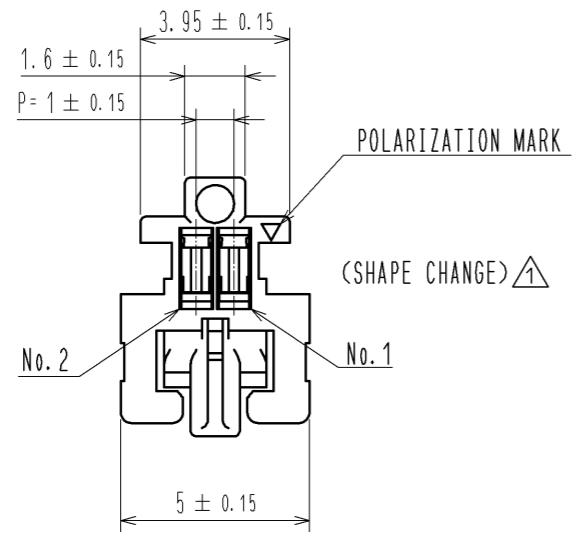


Apr.1.2017 Copyright 2017 HIROSE ELECTRIC CO., LTD. All Rights Reserved.



Δ NOTE1. PER PACK:100 PIECES

HRS DRAWING FOR REFERENCE

NO.		MATERIAL		FINISH . REMARKS		NO.		MATERIAL		FINISH . REMARKS	
						1		PBT		UL94V-0. BLACK	
UNITS	mm	SCALE	5 : 1	COUNT	2	DESCRIPTION OF REVISIONS		DESIGNED	CHECKED	DATE	
						DIS-H-005903		KT. ISHII	OM. MIYAMOTO	11.06.16	
<b>HIROSE ELECTRIC CO., LTD.</b>		APPROVED : KI. AKIYAMA		10.12.14		DRAWING NO.		EDC3-326391-00			
		CHECKED : OM. MIYAMOTO		10.12.14		PART NO.		DF50A-2S-1C			
		DESIGNED : TT. OHSAKO		10.12.13		CODE NO.		CL665-1002-6-00			
		DRAWN : TT. OHSAKO		10.12.13							