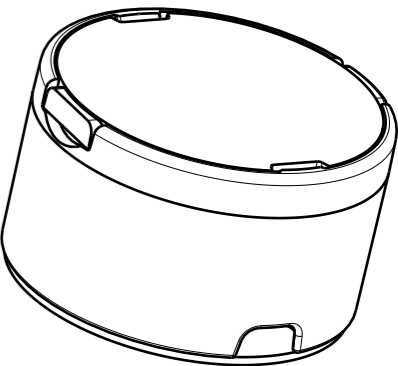
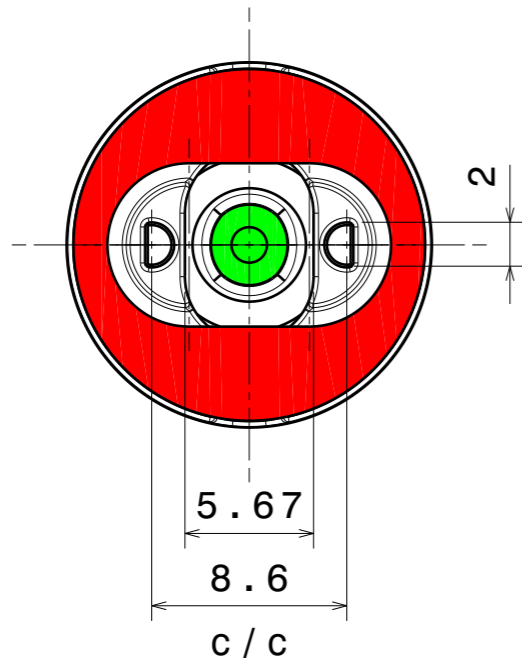
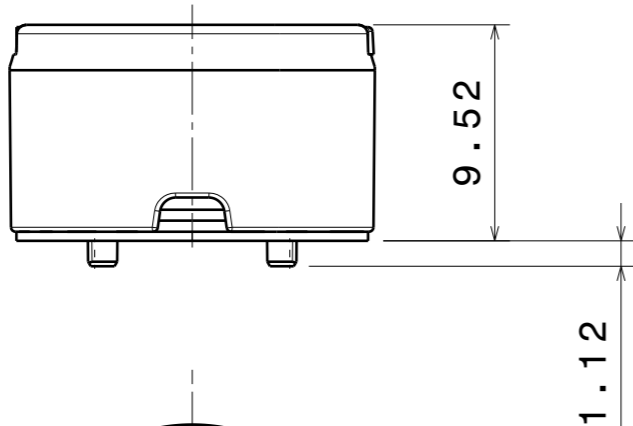


Bottom view  
Scale: 3:1

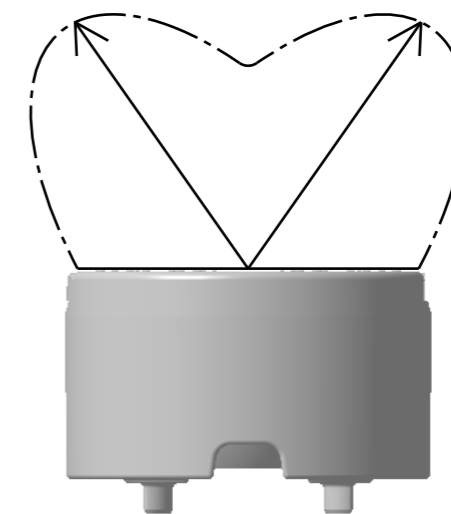
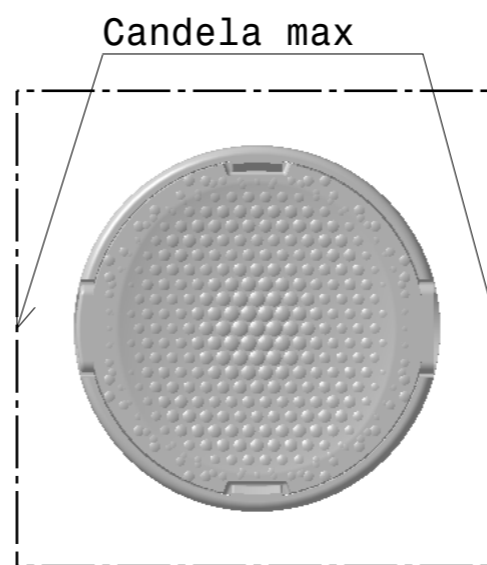


Isometric view  
Scale: 3:1

Front view  
Scale: 3:1

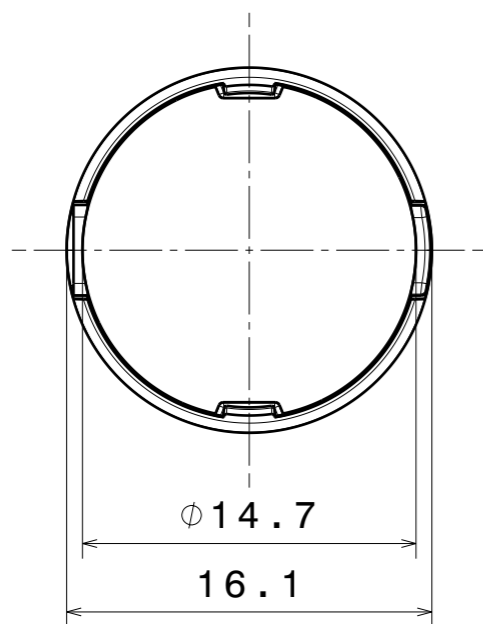


Candela max



Light direction for beamwidth candela peak

Top view  
Scale: 3:1



FA16662\_TINA-BW

**COMPONENTS**

INDEX	PART	TYPE	MATERIAL	COLOR / COATING
1	F11840_TINA-TAPE3	Tape	Tape	black
2	F11011_TINA-HLD-PIN-BLK	Holder	PC	black
3	F16390_TINA-BW	Lens	PMMA	clear

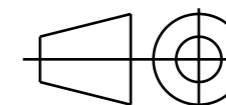
**MECHANICAL DRAWING**

PRODUCT  
**FA16662\_TINA-BW**

**LEDiL<sup>®</sup>**

Plastic moulding general tolerances according to DIN 16901-130 and applies if not otherwise shown in the drawing.  
Silicone moulding general tolerances according to ISO 3302-1 Class M3 and applies if not otherwise shown in the drawing.

FIRST ANGLE PROJECTION:



This drawing is the property of LEDiL Oy. It may not be copied or otherwise distributed without prior written permission from LEDiL Oy.

SCALE 1:1

WEIGHT -

A3 SHEET 1/1

**Notes**

	PCB or heatsink level.
	LED location
	Ensure LED fitting from a product specific 3D model available from <a href="http://www.ledil.com">www.ledil.com</a>
	For more details about installation please see LEDiL Installation Guide on <a href="http://www.ledil.com">www.ledil.com</a>