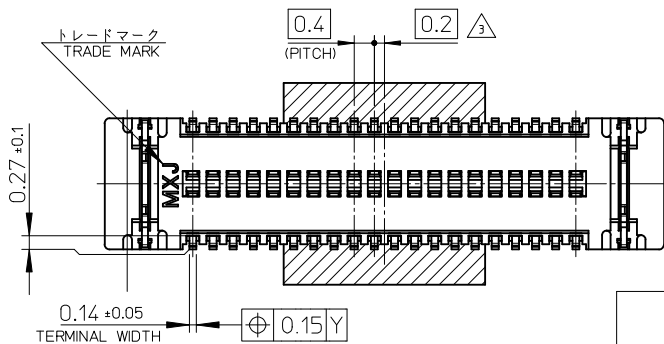
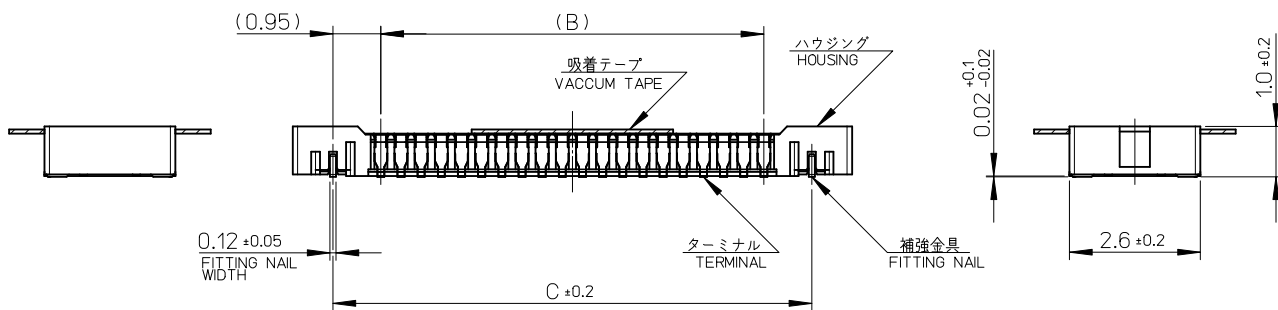
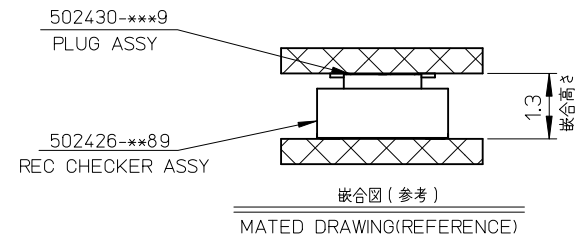
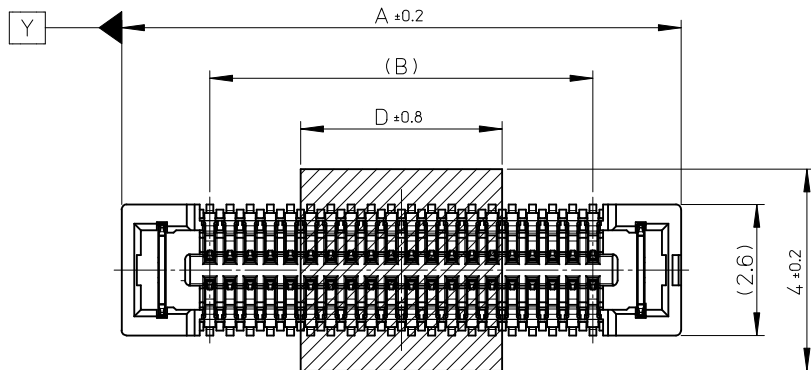


10 9 8 7 6 5 4 3 2 1



|      |      |      |      |              |                         |      |
|------|------|------|------|--------------|-------------------------|------|
| 10.0 | 17.5 | 15.6 | 19.1 | 502426-8080  | 502426-8089             | 80   |
| 7.0  | 13.5 | 11.6 | 15.1 | 502426-6080  | 502426-6089             | 60   |
|      | 11.5 | 9.6  | 13.1 | 502426-5080  | 502426-5089             | 50   |
| 4.0  | 9.5  | 7.6  | 11.1 | 502426-4080  | 502426-4089             | 40   |
|      | 7.9  | 6.0  | 9.5  | 502426-3280  | 502426-3289             | 32   |
| 3.4  | 6.7  | 4.8  | 8.3  | 502426-2680  | 502426-2689             | 26   |
|      | 6.3  | 4.4  | 7.9  | 502426-2480  | 502426-2489             | 24   |
|      | 5.9  | 4.0  | 7.5  | 502426-2280  | 502426-2289             | 22   |
| 2.4  | 5.5  | 3.6  | 7.1  | 502426-2080  | 502426-2089             | 20   |
|      | 4.3  | 2.4  | 5.9  | 502426-1480  | 502426-1489             | 14   |
| D    | C    | B    | A    | EMBOSSD TAPE | MATERIAL No.            | CKT. |
|      |      |      |      | ORDER No.    | MODEL No. : 502426-***x |      |

|  |   |                                   |                      |   |                            |                     |
|--|---|-----------------------------------|----------------------|---|----------------------------|---------------------|
| <b>REVISED</b><br>EC NO: J2011-1598<br>DRWN:KTOYODA 2011/05/23<br>CHKD:TASAKAWA 2011/05/25<br>APPR:MSASAO 2011/06/16 | GENERAL TOLERANCES<br>(UNLESS SPECIFIED)                                      | DIMENSION STYLE<br><b>MM ONLY</b> | SCALE<br><b>10:1</b> | DESIGN UNITS<br><b>METRIC</b>   | THIRD ANGLE<br>PROJECTION  |                     |
|  | 10 UNDER ± ---<br>10 OVER 30 UNDER ± ---<br>30 OVER ± ---                     | DRAWN BY<br>RTAKEUCHI             | DATE<br>2007/12/26   | TITLE<br><b>0.4 B-TO-B CONN. HGT=1.0<br/>                 W=2.6 REC CHECKER ASSY<br/>                 WITH TAPE</b> |                            |                     |
|  | ANGULAR ± --- °<br>DRAFT WHERE APPLICABLE<br>MUST REMAIN<br>WITHIN DIMENSIONS | CHECKED BY<br>MSASAO              | DATE<br>2007/12/26   | MOLEX INCORPORATED  |                            |                     |
|  |   | APPROVED BY<br>MSASAO             | DATE<br>2007/12/26   | DOCUMENT NO.<br>SEE CHART   | MODEL No.<br>SD-502426-007 | SHEET NO.<br>1 OF 2 |

注記 NOTES

1. 使用材料 MATERIAL

ハウジング：液晶ポリマー ( LCP ) ガラス充填 UL94V-0 ( 黒 )  
HOUSING: LIQUID CRYSTAL POLYMER (GLASS FILLED) UL94V-0 ( COLOR: BLACK )

ターミナル：りん青銅 (t=0.1)  
TERMINAL : PHOSPHOR BRONZE (t=0.1)

金具：りん青銅 (t=0.12)  
FITTING NAIL : PHOSPHOR BRONZE (t=0.12)

吸着テープ：ポリイミド  
VACUUM TAPE : POLYIMIDE

2. メッキ仕様 PLATING

ターミナル TERMINAL

コンタクト部：金メッキ 0.1 マイクロメートル以上  
CONTACT AREA : GOLD 0.1 MICROMETER MINIMUM.

テール部：金メッキ 0.05 マイクロメートル以上  
TAIL AREA : GOLD 0.05 MICROMETER MINIMUM.

下地メッキ：ニッケルメッキ 1.0 マイクロメートル以上  
UNDER PLATING : NICKEL 1.0 MICROMETER MINIMUM

※コンタクト部とテール部はニッケルメッキによって分断されている金メッキです。  
DIVIDE INTO PARTS THE GOLD PLATING OF THE CONTACT AND THE TAIL PART BY THE NICKEL PLATING.

※封孔処理品

金具 FITTING NAIL

フラッシュ金メッキ  
FLASH Au PLATING

下地メッキ：ニッケルメッキ 1.0 マイクロメートル以上  
UNDER PLATING : NICKEL 1.0 MICROMETER MINIMUM

△3 (全極数 / 2) = 偶数の場合に適用。  
APPLY FOR (CIRCUIT / 2) = EVEN.

4. 嵌合相手： 502430 シリーズ  
MATE WITH : 502430 SERIES.

5. テール平坦度は、0.08 以下

テール及び金具の平坦度は、0.1 以下

TAIL COPLANARITY TO BE 0.08 MAXIMUM.

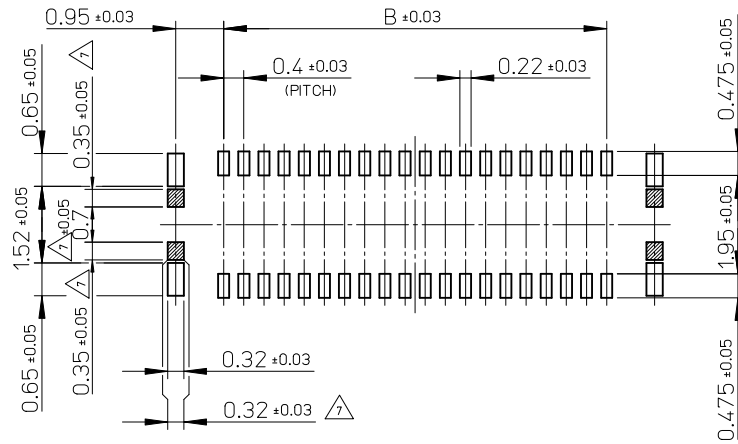
TAIL AND FITTING NAIL COPLANARITY TO BE 0.1 MAXIMUM.

6. ELV 及び RoHS 適合品

ELV AND RoHS COMPLIANT.

△7 斜線部はパターン書込み禁止範囲と半田禁止範囲を示す。

ただし、斜線部に補強金具と同一配線を配置する場合はレジストを施し、この部分に半田は無きこと。  
NO PATTERN CIRCUIT AND NO SOLDER ALLOWED IN THE SHADED AREA.  
HOWEVER, IF NEEDED TO ADD A TRACE OF THE SAME CIRCUIT, PUT THE SOLDER-RESIST, YET NO SOLDER ALLOWED IN THE AREA.

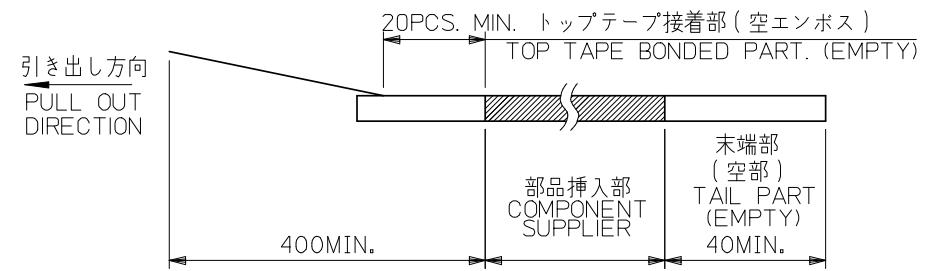
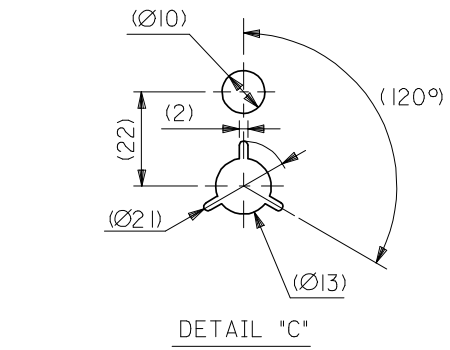
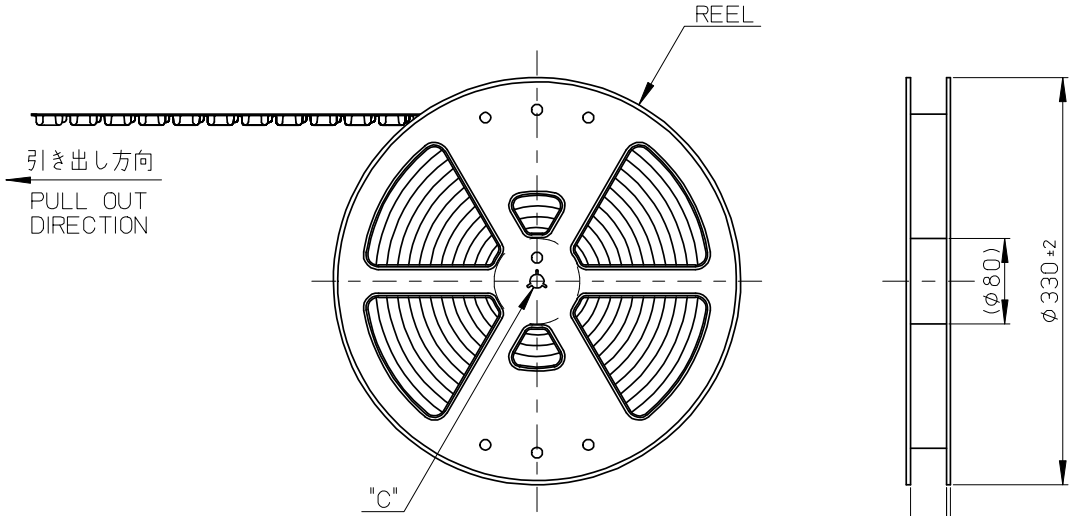


P.C. BOARD PATTERN LAYOUT  
(REFERENCE)

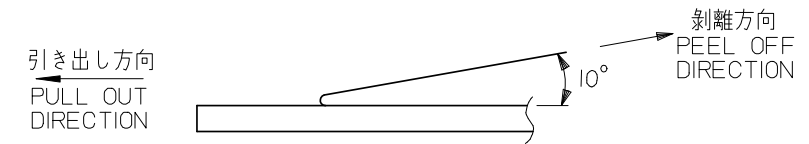
|   |  |  |                               |                     |  |                           |
|---|--|--|-------------------------------|---------------------|--|---------------------------|
| REVISED<br>EC NO: J2011-1598<br>DRW: KTOYODA 2011/05/23<br>CHKD: TASAKAWA 2011/05/25<br>APPR: MSASAO 2011/06/16 | GENERAL TOLERANCES<br>(UNLESS SPECIFIED)                   |  | DIMENSION STYLE<br>MM ONLY    | SCALE<br>10:1       | DESIGN UNITS<br>METRIC   | THIRD ANGLE<br>PROJECTION |
|   | 10 UNDER   | ± ---  | DRAWN BY<br>RTAKEUCHI         | DATE<br>2007/12/26  | TITLE<br>0.4 B-TO-B CONN. HGT=1.0<br>W=2.6 REC CHECKER ASSY<br>WITH TAPE |                           |
|   | 10 OVER 30 UNDER   | ± ---  | CHECKED BY<br>MSASAO          | DATE<br>2007/12/26  | MOLEX INCORPORATED   |                           |
|   | 30 OVER  | ± ---  | APPROVED BY<br>MSASAO         | DATE<br>2007/12/26  |  |                           |
| ANGULAR   | ± --- °  | MATERIAL NO.<br>SEE SHEET 1  | DOCUMENT NO.<br>SD-502426-007 | SHEET NO.<br>2 OF 2 |  |                           |
|   | DRAFT WHERE APPLICABLE<br>MUST REMAIN<br>WITHIN DIMENSIONS | THIS DRAWING CONTAINS INFORMATION THAT IS PROPRIETARY TO MOLEX<br>INCORPORATED AND SHOULD NOT BE USED WITHOUT WRITTEN PERMISSION |                               |                     |  |                           |

注記 NOTES

- 製品詳細寸法については製品単体図面を参照下さい。  
RE DETAILED DIMENSION, SEE PRODUCT DRAWING.
- 梱包数量：3000 個/リール  
NUMBER OF CONNECTORS : 3000PCS/REEL
- リードテープ長さ LEAD TAPE LENGTH



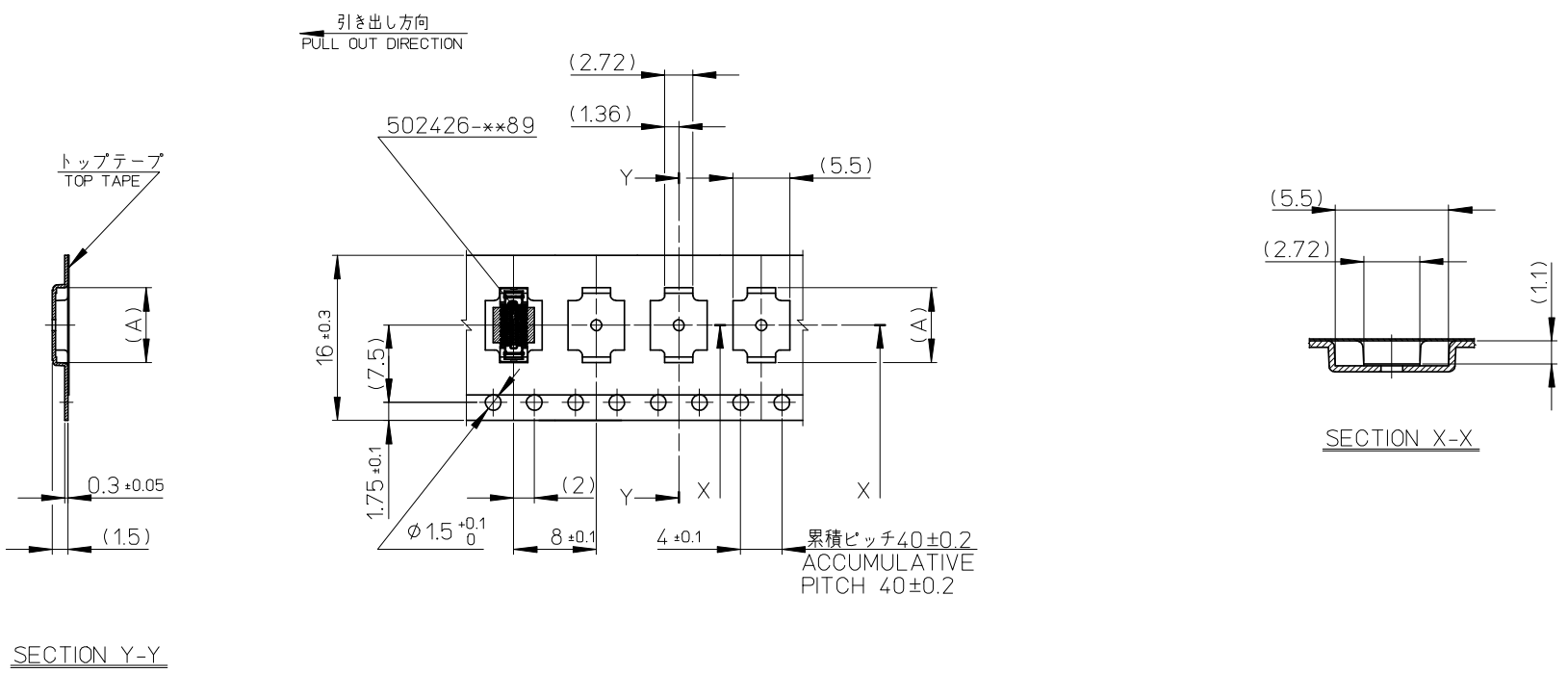
- トップテープの剝離強度：0.1N~1.3N(10gf~130gf)  
(剝離方向は下図参照)  
尚、本規格値は出荷時に適用。(但し、輸送時に剝離が発生しないこと。)  
PEELING OFF FORCE OF TOP TAPE : 0.1N~1.3N(10gf~130gf)  
(PEELING DIRECTION AS SHOWN IN FOLLOWING FIG.)  
THIS REQUIREMENT SHOULD BE APPLIED AT SHIPMENT.  
PEEL OFF SHOULD NOT BE ALLOWED , DURING TRANSPORTION.



- 材料 MATERIAL  
キャリアテープ (CARRIER TAPE) : ポリスチレン (POLYSTYRENE)  
トップテープ (TOP TAPE) : PET , PE , PEF  
リール (REEL) : ポリスチレン (PS) <リサイクル材を含む>  
POLYSTYRENE (PS) <RECYCLE MATERIAL CONTAINED>
- ELV 及び RoHS適合品  
ELV AND RoHS COMPLIANT

MODEL NO. 502426-\*\*80

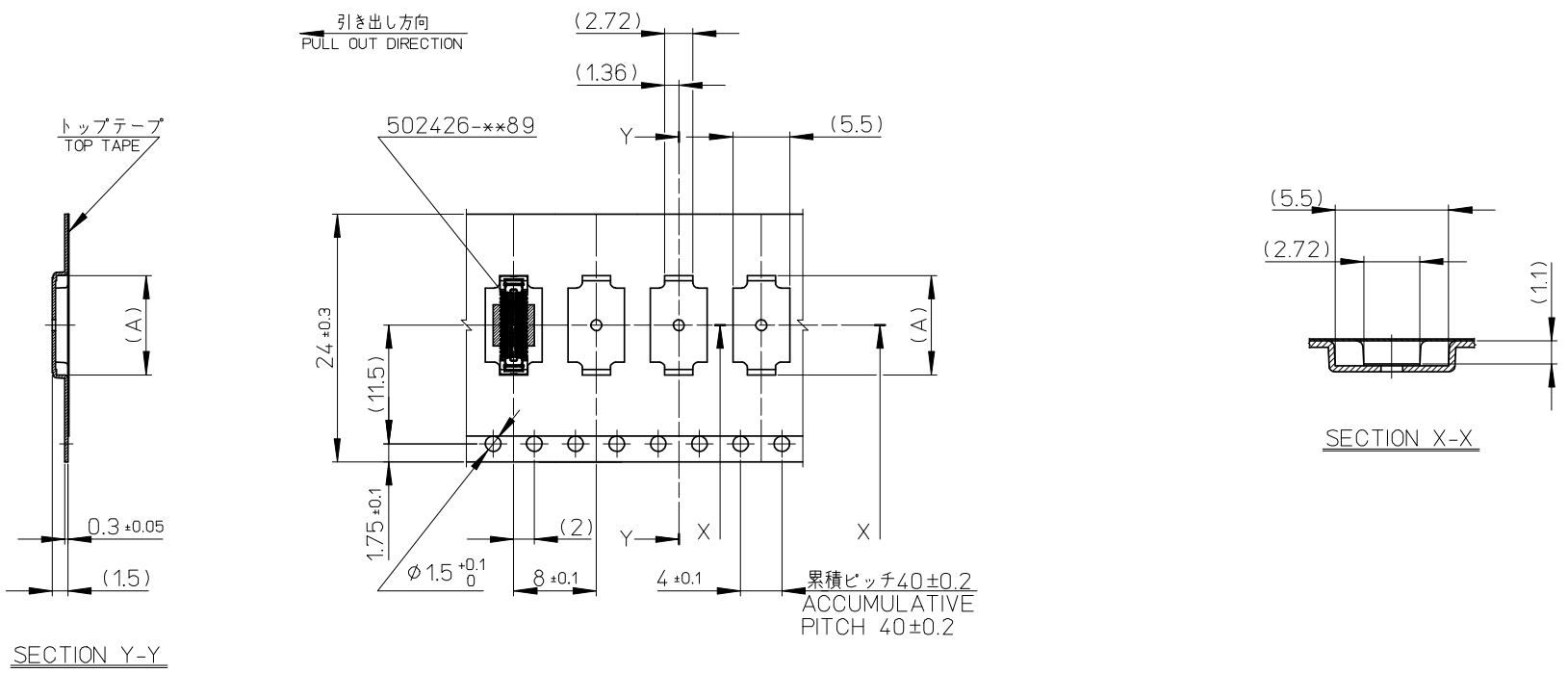
|   |                    |  |      |                            |  |   |                        |                        |  |
|---|--------------------|--|------|----------------------------|--|---|------------------------|------------------------|--|
| REVISED<br>EC NO: J2009-0107<br>DRWN: ITANI GUCHI 01 2008/08/05<br>CHKD: MSASAO 2008/08/06<br>APPR: MSASAO 2008/08/08 | DESCRIPTION<br>REV | GENERAL TOLERANCES (UNLESS SPECIFIED)                      |      | DIMENSION STYLE<br>MM ONLY |  | SCALE<br>---  | DESIGN UNITS<br>METRIC | THIRD ANGLE PROJECTION |  |
|   |                    | 10 UNDER   | ±--- | DRAWN BY<br>RTAKEUCHI      | DATE<br>2007/12/26   | TITLE<br>0.4 B-TO-B CONN. HGT=1.0<br>REC CHECKER ASSY<br>WITH TAPE EMBSTP PKG |                        |                        |  |
|   |                    | 10 OVER 30 UNDER   | ±--- | CHECKED BY<br>MSASAO       | DATE<br>2007/12/26   |   |                        |                        |  |
|   |                    | 30 OVER  | ±--- | APPROVED BY<br>MSASAO      | DATE<br>2007/12/26   | MOLEX INCORPORATED  |                        |                        |  |
|   |                    | ANGULAR  | ±--- | MATERIAL NO.<br>SEE CHART  | DOCUMENT NO.<br>SD-502426-008  |   |                        |                        |  |
|   |                    | DRAFT WHERE APPLICABLE<br>MUST REMAIN<br>WITHIN DIMENSIONS |      | SIZE<br>A3                 | THIS DRAWING CONTAINS INFORMATION THAT IS PROPRIETARY TO MOLEX<br>INCORPORATED AND SHOULD NOT BE USED WITHOUT WRITTEN PERMISSION |   |                        |                        |  |



16mm 幅キャリアテープ  
16mm WIDTH CARRIER TAPE

|                                |      |      |             |                   |
|--------------------------------|------|------|-------------|-------------------|
| 16                             | 17.5 | 8.42 | 502426-2680 | 26                |
|                                |      | 8.02 | 502426-2480 | 24                |
|                                |      | 7.62 | 502426-2280 | 22                |
|                                |      | 7.22 | 502426-2080 | 20                |
|                                |      | 6.02 | 502426-1480 | 14                |
| キャリアテープ幅<br>CARRIER TAPE WIDTH |      | B    | (A)         | MATERIAL No. CKT. |
|                                |      |      | MODEL No.   | 502426-**80       |

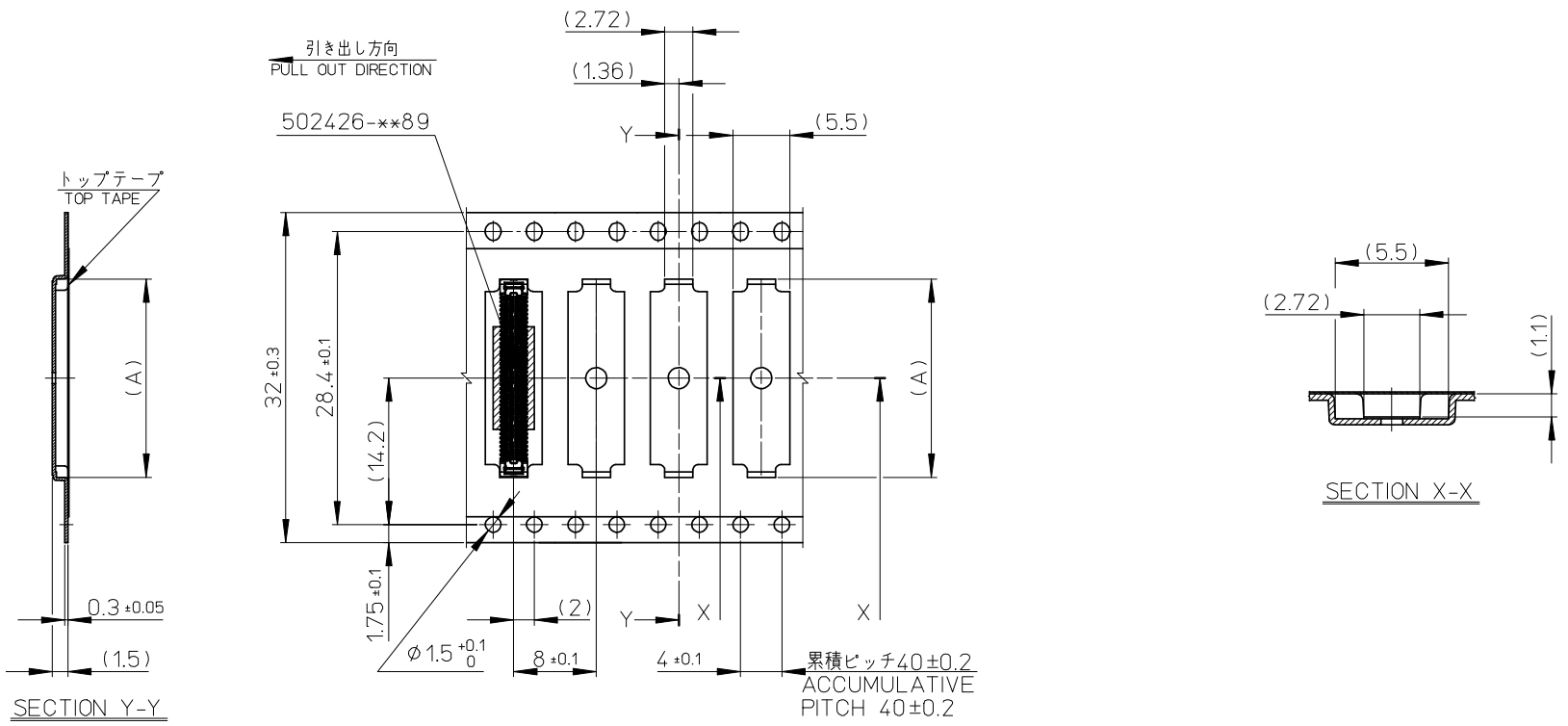
|  |             |  |                      |   |              |                        |  |
|--|-------------|--|----------------------|---|--------------|------------------------|--|
| REVISED<br>EC NO: J2009-0107<br>DRWN: ITANI GUCHI 01 2008/08/05<br>CH'KD: MSASAO 2008/08/06<br>APPR: MSASAO 2008/08/08 | DESCRIPTION | GENERAL TOLERANCES (UNLESS SPECIFIED)                | DIMENSION STYLE      | SCALE   | DESIGN UNITS | THIRD ANGLE PROJECTION |  |
|  | REV         | 10 UNDER ±---  | MM ONLY              | ---   | METRIC       | ☉ □                    |  |
|  |             | 10 OVER 30 UNDER ±---                                |                      |   |              |                        |  |
|  |             | 30 OVER ±---   |                      |   |              |                        |  |
|  |             | ANGULAR ±---   |                      |   |              |                        |  |
|  |             | DRAFT WHERE APPLICABLE MUST REMAIN WITHIN DIMENSIONS |                      |   |              |                        |  |
|  |             |  | DRAWN BY DATE        | TITLE   |              |                        |  |
|  |             |  | RTAKEUCHI 2007/12/26 | 0.4 B-TO-B CONN. HGT=1.0<br>REC CHECKER ASSY<br>WITH TAPE EMBSTP PKG  |              |                        |  |
|  |             |  | CHECKED BY DATE      | MOLEX MOLEX INCORPORATED  |              |                        |  |
|  |             |  | MSASAO 2007/12/26    |   |              |                        |  |
|  |             |  | APPROVED BY DATE     | DOCUMENT NO.  |              |                        |  |
|  |             |  | MSASAO 2007/12/26    | SD-502426-008   |              |                        |  |
|  |             |  | MATERIAL NO.         | SHEET NO.   |              |                        |  |
|  |             |  | SEE CHART            | 2 OF 4  |              |                        |  |
|  |             |  | SIZE                 | THIS DRAWING CONTAINS INFORMATION THAT IS PROPRIETARY TO MOLEX INCORPORATED AND SHOULD NOT BE USED WITHOUT WRITTEN PERMISSION |              |                        |  |
|  |             |  | A3                   |   |              |                        |  |



24mm 幅キャリアテープ  
24mm WIDTH CARRIER TAPE

|                                |      |       |              |             |
|--------------------------------|------|-------|--------------|-------------|
| 24                             | 25.5 | 15.22 | 502426-6080  | 60          |
|                                |      | 13.22 | 502426-5030  | 50          |
|                                |      | 11.22 | 502426-4080  | 40          |
|                                |      | 9.62  | 502426-3280  | 32          |
| キャリアテープ幅<br>CARRIER TAPE WIDTH | B    | (A)   | MATERIAL No. | CKT.        |
|                                |      |       | MODEL No.    | 502426-**80 |

|   |             |                                       |  |                           |  |                        |
|---|-------------|---------------------------------------|--|---------------------------|--|------------------------|
| REVISED<br>EC NO: J2009-0107<br>DRWN: ITANI GUCHI 01 2008/08/05<br>CHK: MSASAO 2008/08/06<br>APPR: MSASAO 2008/08/08<br>A | DESCRIPTION | GENERAL TOLERANCES (UNLESS SPECIFIED) | DIMENSION STYLE<br>MM ONLY                                 | SCALE<br>---              | DESIGN UNITS<br>METRIC   | THIRD ANGLE PROJECTION |
|   |             | 10 UNDER ±---                         | DRAWN BY<br>RTAKEUCHI                                      | DATE<br>2007/12/26        | TITLE<br>0.4 B-TO-B CONN. HGT=1.0<br>REC CHECKER ASSY<br>WITH TAPE EMBSTP PKG  |                        |
|   |             | 10 OVER 30 UNDER ±---                 | CHECKED BY<br>MSASAO                                       | DATE<br>2007/12/26        | MOLEX INCORPORATED   |                        |
|   |             | 30 OVER ±---                          | APPROVED BY<br>MSASAO                                      | DATE<br>2007/12/26        | DOCUMENT NO.<br>SD-502426-008  | SHEET NO.<br>3 OF 4    |
|   |             | ANGULAR ±---                          | DRAFT WHERE APPLICABLE<br>MUST REMAIN<br>WITHIN DIMENSIONS | MATERIAL NO.<br>SEE CHART | THIS DRAWING CONTAINS INFORMATION THAT IS PROPRIETARY TO MOLEX<br>INCORPORATED AND SHOULD NOT BE USED WITHOUT WRITTEN PERMISSION |                        |



32mm 幅キャリアテープ  
32mm WIDTH CARRIER TAPE

|                                |      |       |             |  |
|--------------------------------|------|-------|-------------|--|
| 32                             | 33.5 | 21.22 | 502426-9080 | 90   |
|                                |      | 19.22 | 502426-8080 | 80   |
| キャリアテープ幅<br>CARRIER TAPE WIDTH |      | B     | (A)         | MATERIAL No. CKT.<br>MODEL No. 502426-**80 |

|   |             |                                       |  |                    |  |                               |                     |
|---|-------------|---------------------------------------|--|--------------------|--|-------------------------------|---------------------|
| REVISED<br>EC NO: J2009-0107<br>DRWN: ITANI GUCHI 2008/08/05<br>CHKD: MSASAO 2008/08/06<br>APPR: MSASAO 2008/08/08<br>REV A | DESCRIPTION | GENERAL TOLERANCES (UNLESS SPECIFIED) | DIMENSION STYLE<br>MM ONLY                                 | SCALE<br>---       | DESIGN UNITS<br>METRIC   | THIRD ANGLE PROJECTION        |                     |
|   |             | 10 UNDER ± ---                        | DRAWN BY<br>RTAKEUCHI                                      | DATE<br>2007/12/26 | TITLE<br>0.4 B-TO-B CONN. HGT=1.0<br>REC CHECKER ASSY<br>WITH TAPE EMBSTP PKG  |                               |                     |
|   |             | 10 OVER 30 UNDER ± ---                | CHECKED BY<br>MSASAO                                       | DATE<br>2007/12/26 | MOLEX INCORPORATED   |                               |                     |
|   |             | 30 OVER ± ---                         | APPROVED BY<br>MSASAO                                      | DATE<br>2007/12/26 | MATERIAL NO.<br>SEE CHART  | DOCUMENT NO.<br>SD-502426-008 | SHEET NO.<br>4 OF 4 |
|   |             | ANGULAR ± --- °                       | DRAFT WHERE APPLICABLE<br>MUST REMAIN<br>WITHIN DIMENSIONS |                    | THIS DRAWING CONTAINS INFORMATION THAT IS PROPRIETARY TO MOLEX<br>INCORPORATED AND SHOULD NOT BE USED WITHOUT WRITTEN PERMISSION |                               |                     |