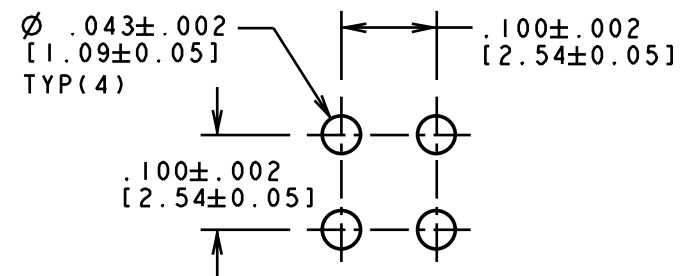
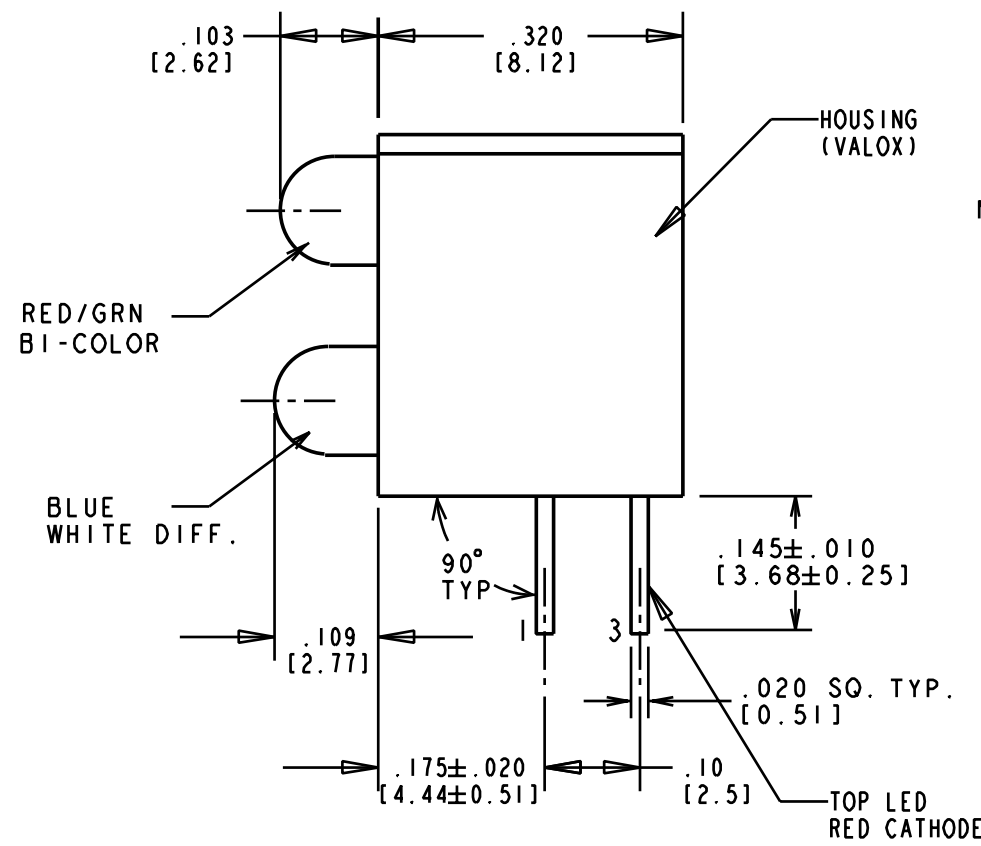
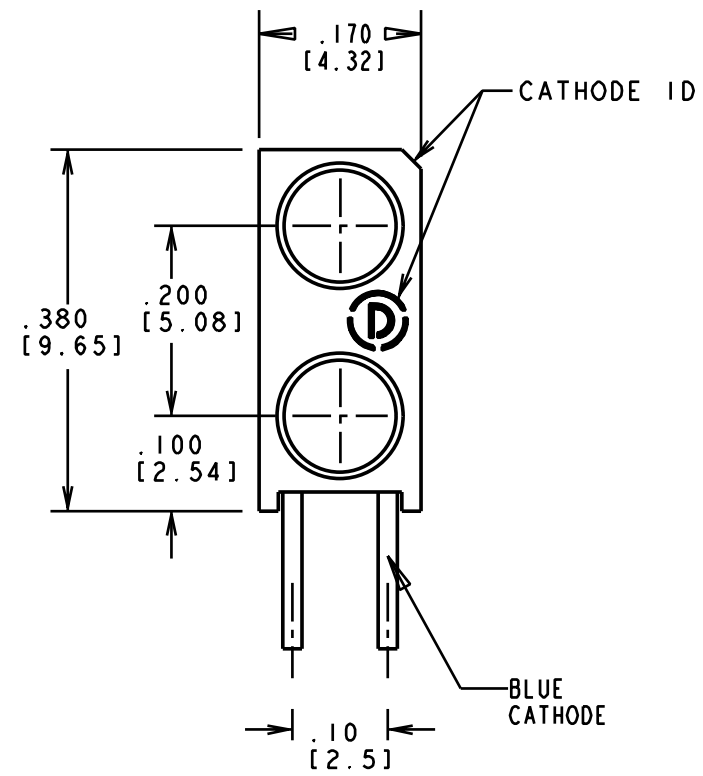


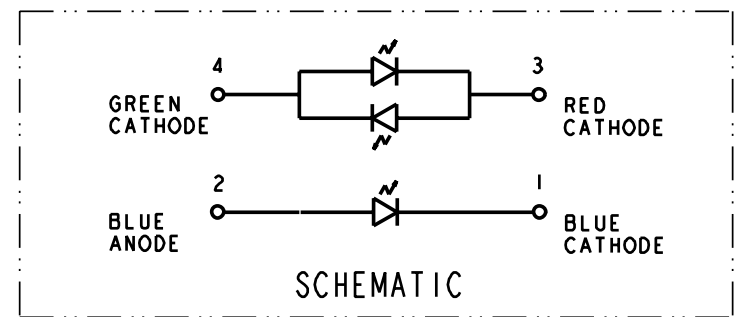
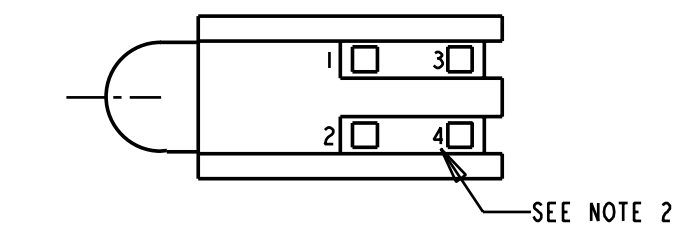
REV.	ECN NO.	REVISIONS	DRN.	CKD.	APP.	DATE
A		NEW RELEASE	DC			



RECOMMENDED PC BOARD HOLE PATTERN

BLUE WHITE DIFF. LED
OPERATING CHARACTERISTICS AT T_A = 25 °C

CHARACTERISTICS	COLOR	MIN	TYP	MAX	UNITS	TEST COND.
FORWARD VOLTAGE	BLUE		3.5	4.2	V	I _F = 10 mA
PEAK WAVELENGTH	BLUE		428		nm	
LUMINOUS INTENSITY	BLUE	6.3		20	mc d	I _F = 10 mA
VIEWING ANGLE	BLUE		70		DEG.	



ABSOLUTE MAXIMUM RATING AT 25 °C AMBIENT		UNITS
POWER DISSIPATION	100	mW
CONTINUOUS FORWARD CURRENT	20	mA
DERATE LINEARLY FROM 55°C	0.44	mA/°C
PEAK PULSE CURRENT, 10µs PULSE	120	mA
REVERSE VOLTAGE	5	V
LEAD SOLDERING TEMPERATURE, 5 SEC., 1/16" FROM BASE	260	°C
OPERATING TEMPERATURE	-40 TO +100	°C
STORAGE TEMPERATURE	-40 TO +100	°C

NOTES:

- LEADS TO FIT INTO HOLES SPACED AS PER HOLE PATTERN.
- PIN NUMBERS FOR REFERENCE ONLY, DESIGNATION NON-EXISTENT ON PART.
- LED LEAD DIMENSIONS SHOWN ARE MEASURED AT HOUSING EXIT.
- ATTENTION: OBSERVE PRECAUTIONS FOR HANDLING ELECTROSTATIC SENSITIVE DEVICES.
- DIALIGHT PART NO. 553-0718-840.

RED/GREEN BI-COLOR LEDS
OPERATING CHARACTERISTICS AT T_A = 25 °C

CHARACTERISTICS	COLOR	MIN	TYP	MAX	UNITS	TEST COND.
FORWARD VOLTAGE	RED GREEN		2.0 2.1	2.8 2.8	V	I _F = 20 mA
PEAK WAVELENGTH	RED GREEN		635 565		nm	I _F = 20 mA
LUMINOUS INTENSITY	RED GREEN	2.5 3.7	4.7 10.0		mc d	I _F = 10 mA
VIEWING ANGLE	RED GREEN		60		DEG.	I _F = 20 mA

ABSOLUTE MAXIMUM RATING AT 25 °C AMBIENT		UNITS
POWER DISSIPATION	100	mW
CONTINUOUS FORWARD CURRENT	30	mA
DERATE LINEARLY FROM 50°C	0.40	mA/°C
PEAK PULSE CURRENT, 10µs PULSE	120	mA
PEAK REVERSE VOLTAGE	5	V
LEAD SOLDERING TEMPERATURE, 5 SEC., 1/16" FROM BASE	260	°C
OPERATING TEMPERATURE	-55 TO +100	°C
STORAGE TEMPERATURE	-55 TO +100	°C

THIS DRAWING AND THE CONTENTS HEREIN ARE CONFIDENTIAL AND THE SOLE PROPERTY OF DIALIGHT. REPRODUCTION OF THIS DRAWING OR CONSTRUCTION OF ANY PARTS WITHIN THIS DRAWING ARE FORBIDDEN WITHOUT THE WRITTEN CONSENT OF DIALIGHT.

SCALE 5:1
ALL DIM'S IN: INCHES (MM)

TOLERANCES: UNLESS OTHERWISE SPECIFIED
FRACTIONS: ±1/64
DECIMALS (.XX): ±.01
DECIMALS (.XXX): ±.015

ANGLES: ±3°
FINISH:

FSCM 83330

DRAWING NUMBER	REV
C-16880	A
TITLE 3mm LED BI-LEVEL CBI	
MATERIAL	
Dialight	1501 ROUTE 34 SOUTH FARMINGDALE, NJ 07727
SHEET 1 OF 1	FAMILY TABLE: