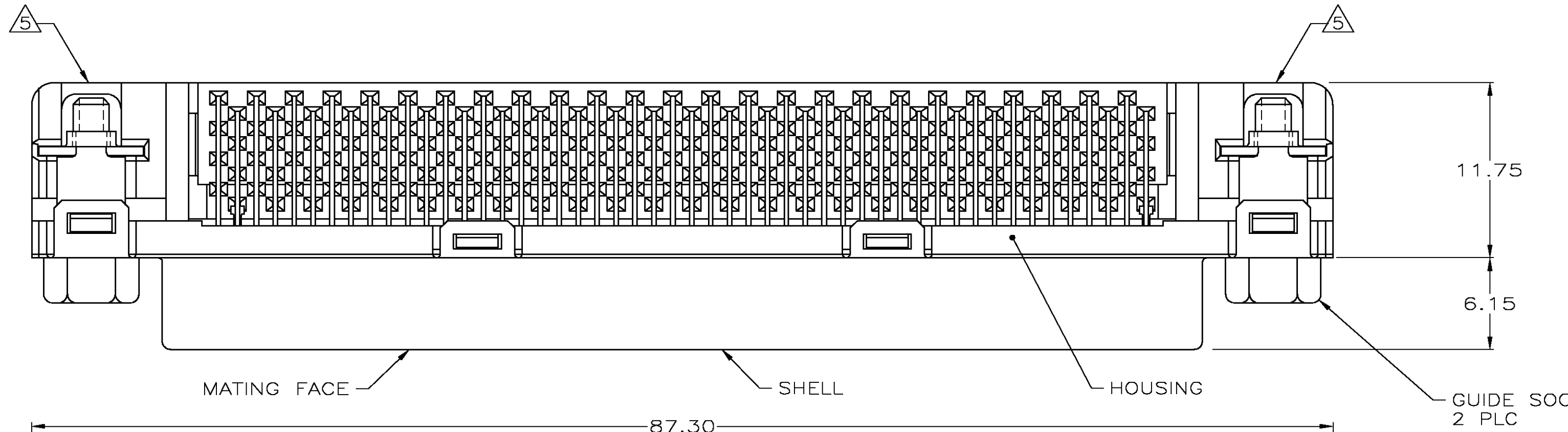
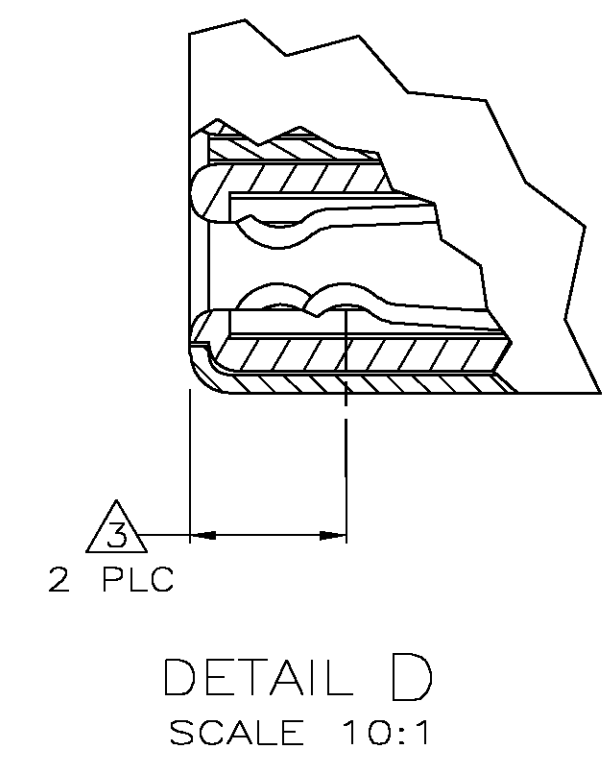
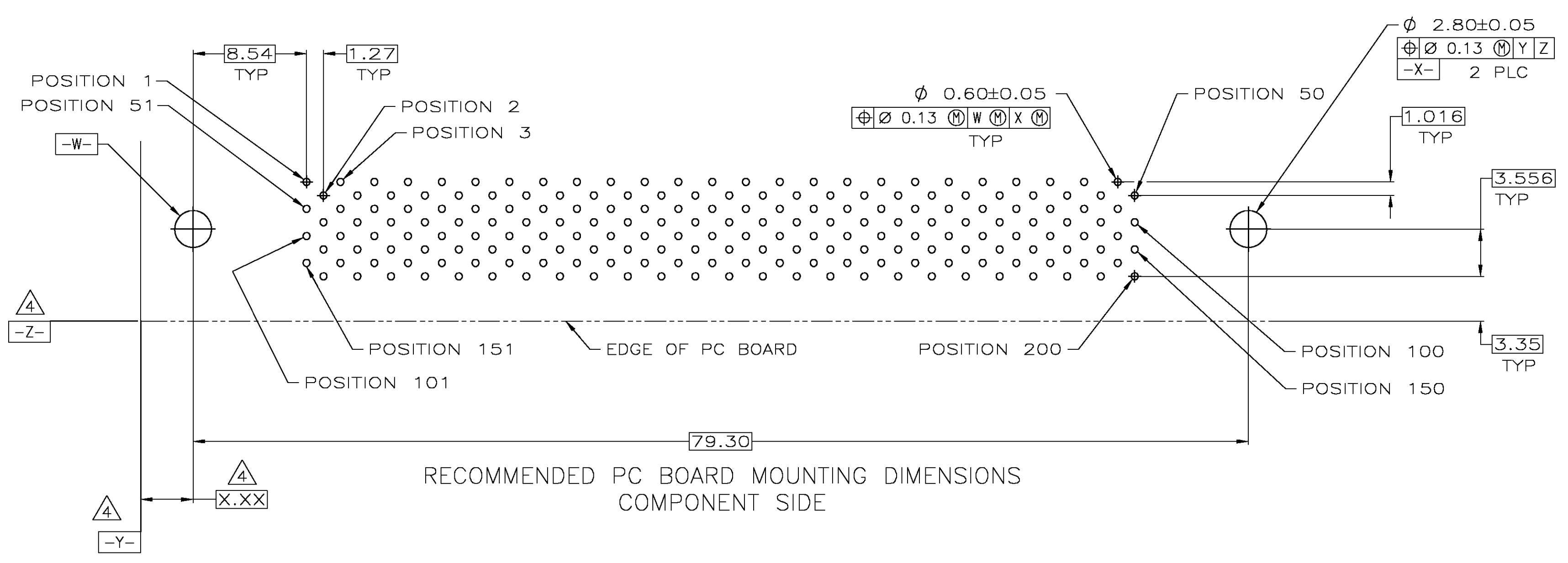
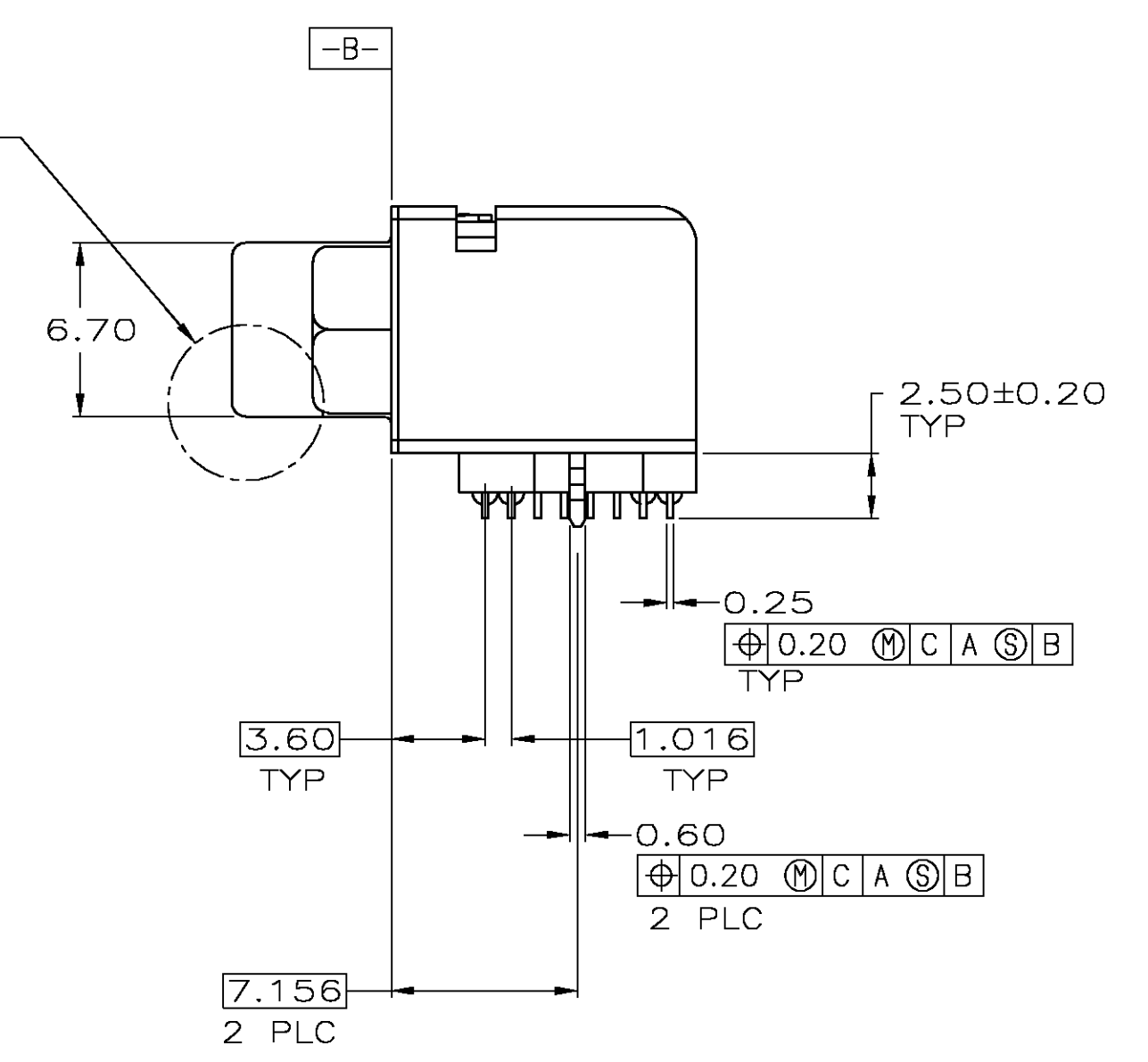
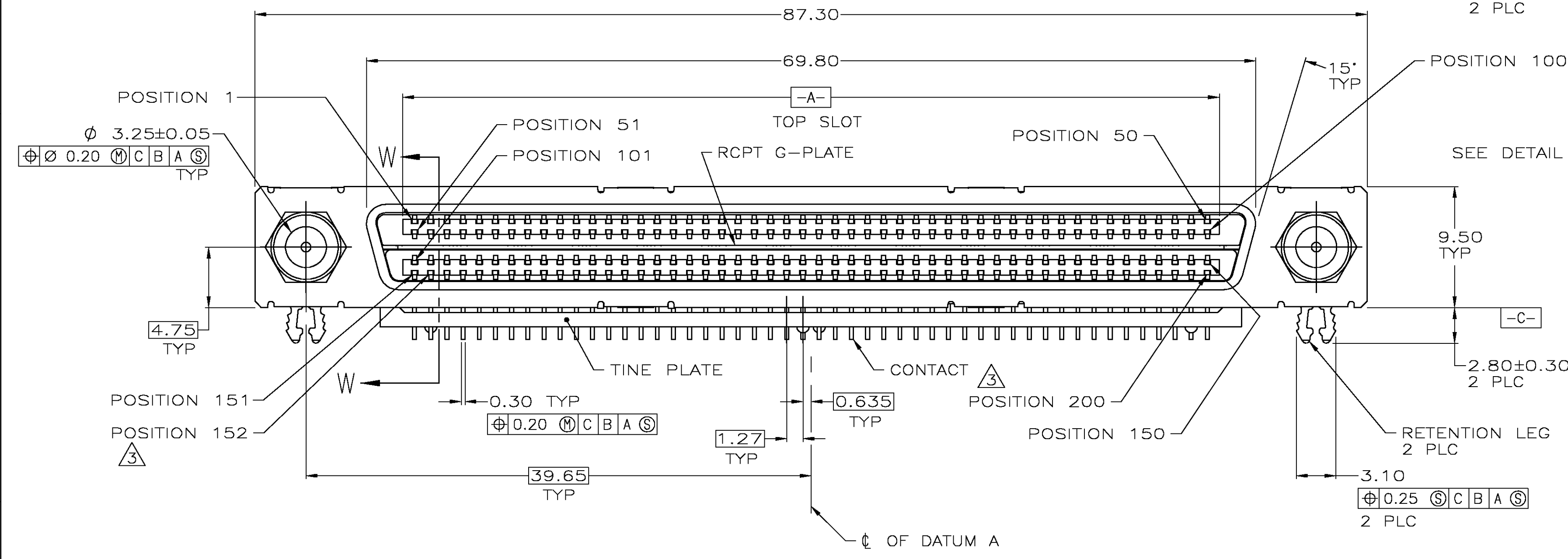


LOC	DIST	REVISIONS			
P	LTR	DESCRIPTION	DATE	DWN	APVD
0		RELEASED PER EC 0S13-0440-04	12-07-04	LV	JG



- △ HOUSING AND TINE PLATE: POLYESTER, NATURAL.
CONTACTS: PHOSPHOR BRONZE.
SHELL: CARBON STEEL.
RCPT G-PLATE: STAINLESS STEEL.
GUIDE SOCKET AND RETENTION LEG: BRASS.
- △ CONTACTS: 0.76µm MIN GOLD FOR A LENGTH OF 1.10 MIN FROM MATING END, 2.54 MIN TIN FOR A LENGTH OF 2.80 MIN FROM OPPOSITE END, BOTH OVER 1.27µm MIN NICKEL.
SHELL: 3.00µm MIN NICKEL OVER 1.30µm MIN COPPER.
RETENTION LEG: 2.00µm MIN TIN OVER 1.00µm MIN NICKEL.
GUIDE SOCKET: NICKEL OVER COPPER.
- △ CONTACTS 152 AND 200, ARE SEQUENCED AWAY FROM MATING FACE.
- △ DATUMS AND BASIC DIMENSIONS ESTABLISHED BY CUSTOMER.
- △ DATE CODE MAY BE MARKED ON EITHER END.



5787883-1
PART NUMBER

**COPYRIGHT 2005
TYCO ELECTRONICS CORP
ALL RIGHTS RESERVED**

THIS DRAWING IS A CONTROLLED DOCUMENT.		DWN L. VARELA - 12-07-04	Tyco Electronics Corporation Harrisburg, Pa 17105-3608
DIMENSIONS: mm		CHK C. ROHDE - 12-07-04	
TOLERANCES UNLESS OTHERWISE SPECIFIED:		APVD M. WALMSLEY - 12-07-04	RECEPTACLE ASSEMBLY, 200 POSITION, RIGHT ANGLE, .050, CHAMP
0 PLC ± -		PRODUCT SPEC	
1 PLC ± 0.2		APPLICATION SPEC	
2 PLC ± 0.25		WEIGHT	
3 PLC ± -		SIZE	A1
4 PLC ± -		CAGE CODE	00779
ANGLES ± ±		DRAWING NO	5787883
FINISH		RESTRICTED TO	-
MATERIAL		CUSTOMER DRAWING	SCALE 4:1
		SHEET 1 OF 1	REV 0