

THIS DRAWING IS UNPUBLISHED.

RELEASED FOR PUBLICATION

,1997

© COPYRIGHT 1997

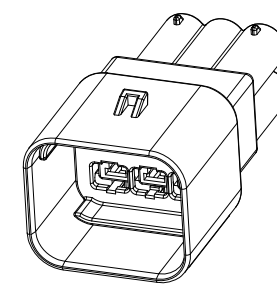
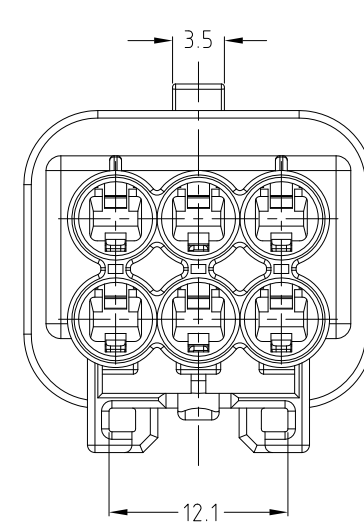
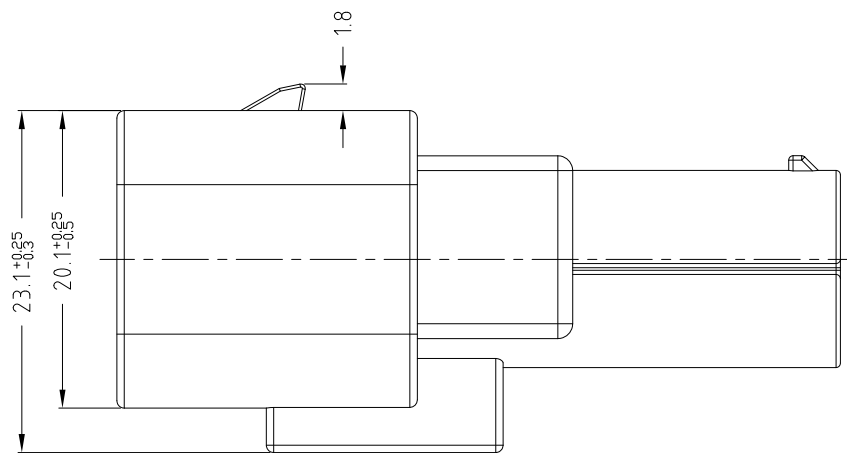
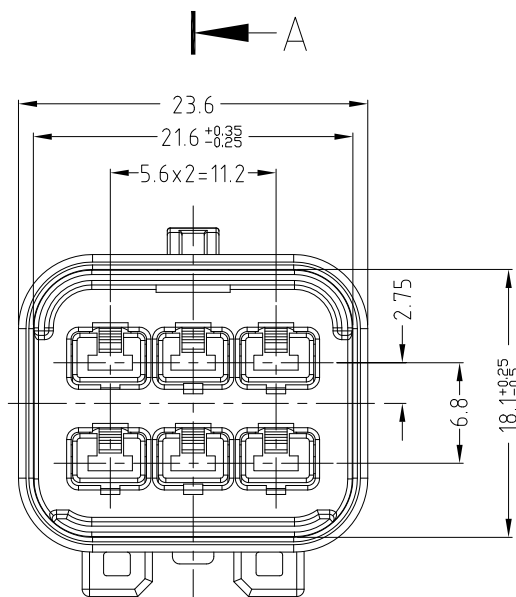
BY AMP INCORPORATED. ALL RIGHTS RESERVED.

LOC

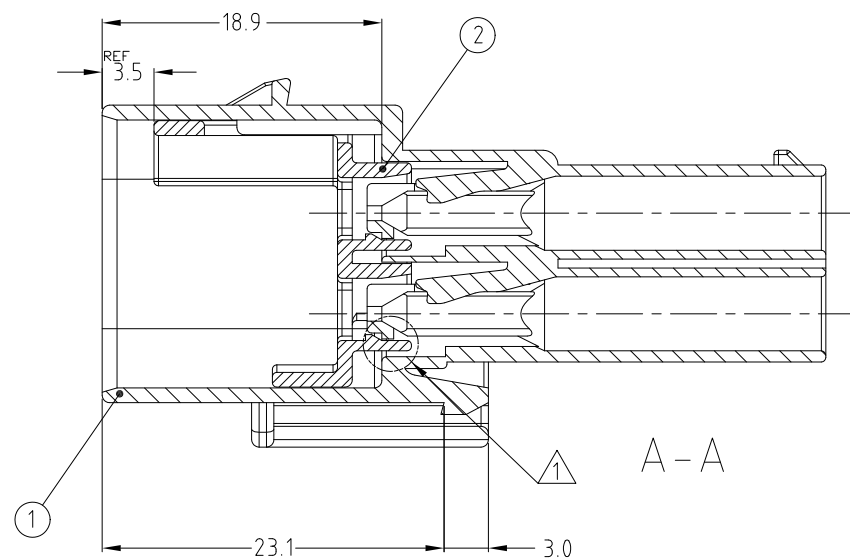
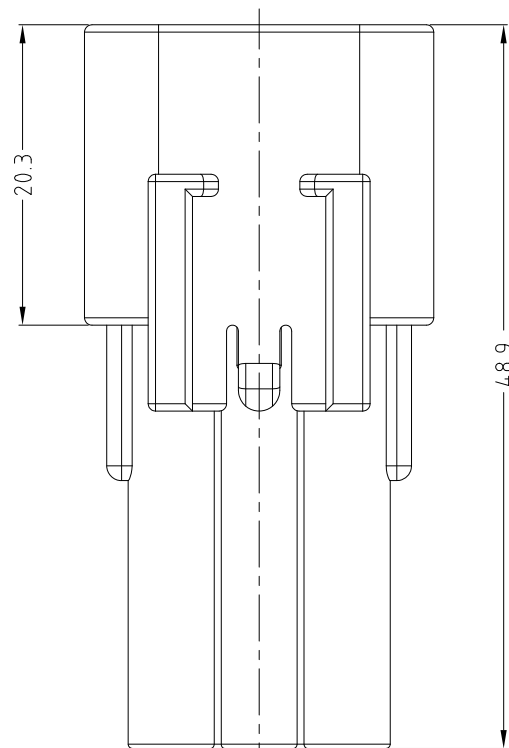
DIST

REVISIONS

P	LTR	DESCRIPTION	DATE	DWN	APVD
	A	REVISED (FC00-0289-04)	16,NOV,'04	YH	CS
	B	REVISED (ECR-05-002931)	11,MAY,'05	YH	CS
	B1	REVISED (ECR-08-020978)	21,AUG,'08	DR	HG



3D VIEW



NOTE

1. CONDITION OF DELIVERY : DBL PLATE IN OPEN POSITION.

2. APPLIED TAB CONTACT P/N:

CONTACT	MCP-E TERMINAL	
Part NO.	936612-1	936613-1
WIRE SIZE(mm ²)	1.0~2.5SQ	0.5~1.0SQ

3. APPLIED FEMALE CONNECTOR P/N : 936257-2

4. APPLIED COVER HSG P/N : 936759-2

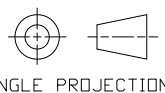
NO	FINISH/COLOR	MATERIAL	DESCRIPTION	Q'TY	DESCRIPTION	ASSY P/N
2	WHITE	PBT GF10	CAP DBL HOUSING FOR MCP-E 6P	1	CAP ASSY	0-936294-3
1	GRAY	PBT	MCP-E SEALED 6P CAP HOUSING	1	CAP ASSY	0-936294-2
	BLACK	PBT	MCP-E SEALED 6P CAP HOUSING	• 1		

THIS DRAWING IS CONTROLLED DOCUMENT FOR AMP INCORPORATED. IT IS SUBJECT TO CHANGE AND THE CONTROLLING ENGINEERING ORGANIZATION SHOULD BE CONTACTED FOR THE LATEST REVISION.

DIMENSIONS:
MM

TOLERANCES UNLESS OTHERWISE SPECIFIED:

0 <XX<10 ± 0.2
10<XX<30 ± 0.25
30<XX ± 0.3
ANGLES ± 3°



MATERIAL
SEE TABLE

FINISH
SEE TABLE

DWN DR GOD

CHK YM CHOI

APVD HG CHO

PRODUCT SPEC

APPLICATION SPEC

WEIGHT

CUSTOMER DRAWING



Tyco Electronics
Kyungsan, Korea

NAME

MCP-E SEALED 6P CAP ASS'Y

SIZE

CAGE CODE

DRAWING NO

A3

00779

936294

SCALE 2:1

SHEET 1 OF 1

REV B1