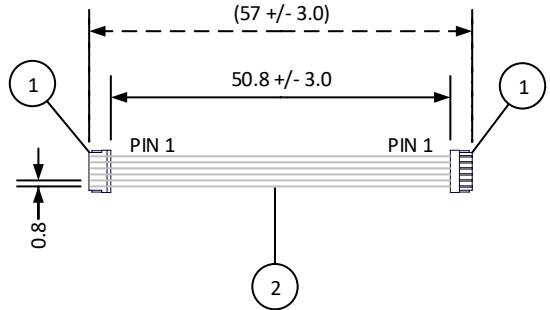
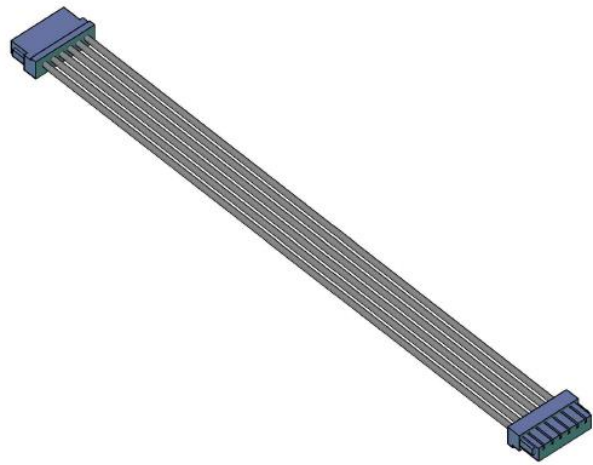


4		3		2		1	
ITEM	CONNECTOR PART NO.	DESCRIPTION	IPI CHECK	EOR CHECK	Applicable Tooling		
1	See Table 1	SUR CONNECTOR			BCD		
2	UL11136, 32 AWG	WHITE			TABLE 1		

ITEM	NUMBER OF CIRCUITS	CONNECTOR PART NO.	ASSEMBLY PART NUMBER	TOTAL WIRE REQUIRED
1	2	02SUR-32S	A02SUR02SUR32W51A	101.6 mm
1	3	03SUR-32S	A03SUR03SUR32W51A	152.4 mm
1	4	04SUR-32S	A04SUR04SUR32W51A	203.2 mm
1	5	05SUR-32S	A05SUR05SUR32W51A	254 mm
1	6	06SUR-32S	A06SUR06SUR32W51A	304.8 mm
1	8	08SUR-32S	A08SUR08SUR32W51A	406.4 mm
1	10	10SUR-32S	A10SUR10SUR32W51A	508 mm
1	12	12SUR-32S	A12SUR12SUR32W51A	609.6 mm
1	14	14SUR-32S	A14SUR14SUR32W51A	711.2 mm
1	15	15SUR-32S	A15SUR15SUR32W51A	762 mm
1	16	16SUR-32S	A16SUR16SUR32W51A	812.8 mm
1	17	17SUR-32S	A17SUR17SUR32W51A	863.6 mm
1	20	20SUR-32S	A20SUR20SUR32W51A	1,016 mm
1	22	22SUR-32S	A22SUR22SUR32W51A	1,117.6 mm



				SCALE 1:1			
				DIMENSIONS All dimensions are in MM with a tolerance of +/- 3.0 unless otherwise specified.		CUSTOMER NAME	
						CUSTOMER PART NO.	
				DRAWN BY STEVEN PILKINGTON		DESCRIPTION 0.8 mm Pitch SUR Standard Catalog Assembly - 2" Inside Length - Pin out: 1 to 1	
				CHECKED BY JUSTIN BAKER		ASSEMBLY PART NO. SEE TABLE 1	
				DRAWING NO. & REVISION GAM-004		REVISED 2/25/2016	
2	ADDED 20 CIRCUIT ASSEMBLY	6/23/2016	SP				
1	ADDED 10 CIRCUIT ASSEMBLY	6/16/2016	SP				
REV.	DESCRIPTION	DATE	BY				

4		3		2		1	
---	--	---	--	---	--	---	--