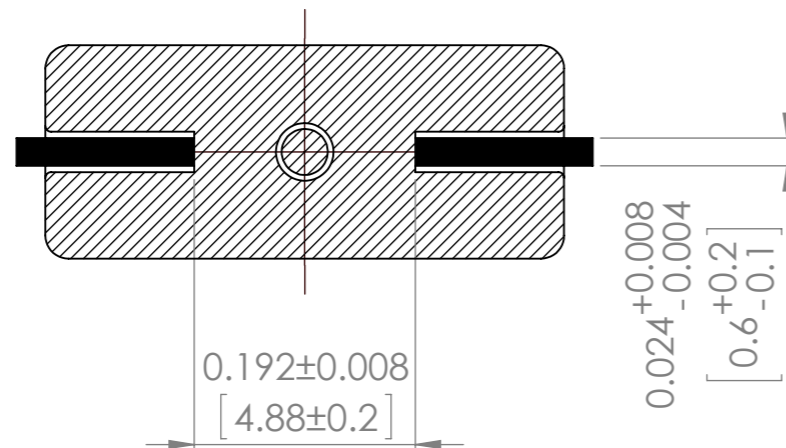
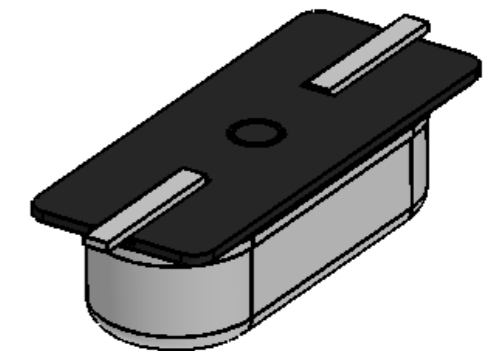
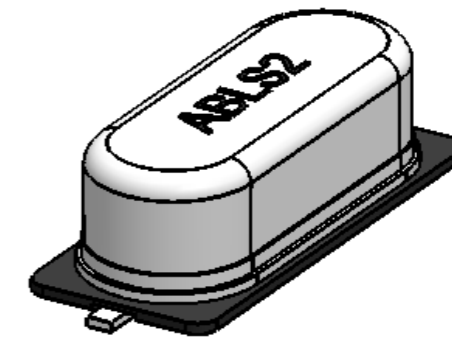
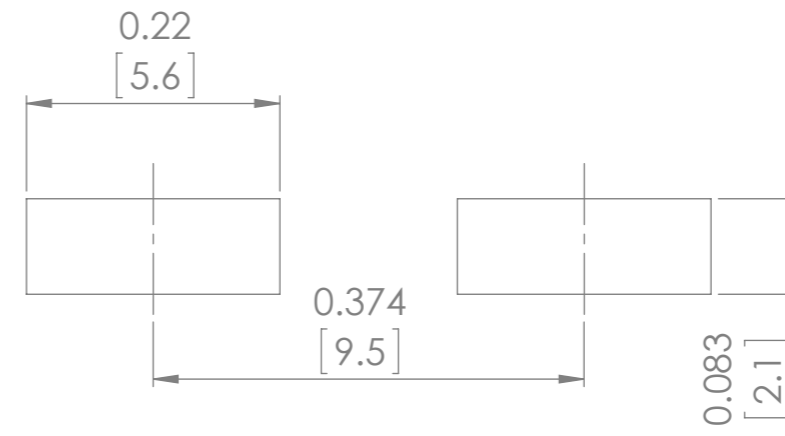



0.004[0.1] Max.  
0.000[0.0]Min.  
(Both sides)



**Recommended Land Pattern**



UNLESS OTHERWISE SPECIFIED: DIMENSIONS ARE IN INCH(MM) SURFACE FINISH: TOLERANCES: LINEAR: ANGULAR:				FINISH:		DEBUR AND BREAK SHARP EDGES		DO NOT SCALE DRAWING		REVISION -	
DRAWN SAAZVAT				SIGNATURE		DATE		 30332 Esperanza, Rancho Santa margarita, California 92688			
CHK'D XXXXXX								TITLE: CRYSTAL			
APPV'D								DWG NO. ABL S2			
MFG								SCALE:6:1			
Q.A						MATERIAL:		SHEET 1 OF 1			
						WEIGHT: 0.33		A3			