**OBSOLETE**

NOTE;

1. Material

Housing&CAP: Black PA9T, Genestar GP2450NH (UL94-V0)

Plunger: Brass 3604

Barrel: Brass 3604

Spring: SUS304

2. Plating

Plunger: 10 micro inch typical Au over 50~100 micro inch typical nickel

Barrel: 10 micro inch typical Au over 50~100 micro inch typical nickel

3. Electrical

Rated current & voltage: DC 50V; 1A

Contact resistance: 50 mohm maximum at working height(quiessence)

4. Mechanical

Spring force: 110g±20% at working height.

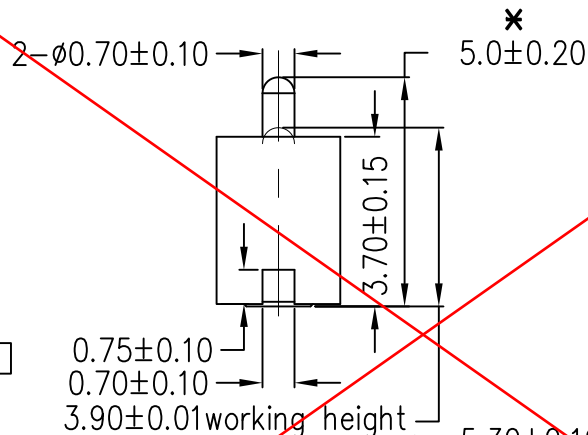
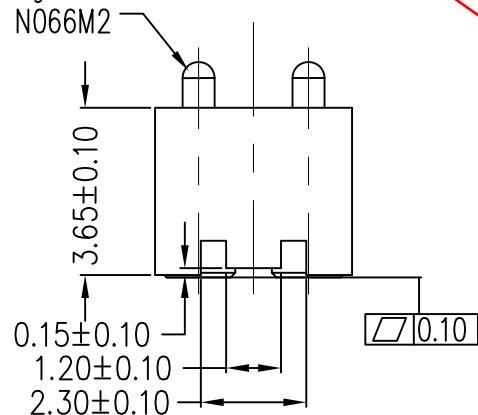
Durability: 10,000 cycles(minimum)

5. To ensure the best usage, please operate it based on the working height.

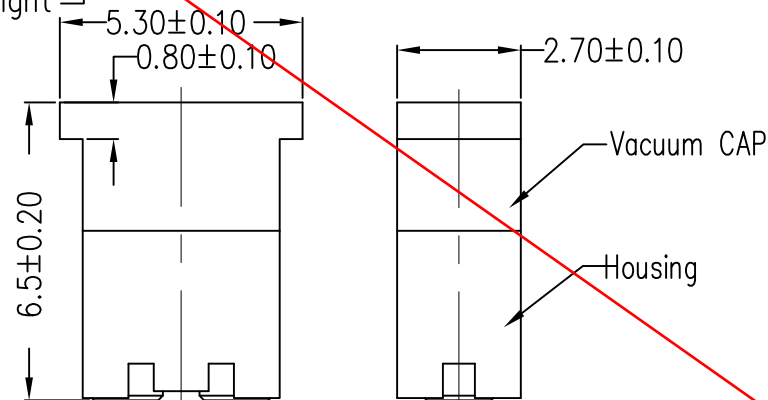
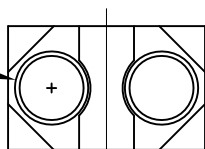
Based on the engineering drawings, shall not exceed the maximum allowed compression.

6. RoHS compliant product.

7. Operation temperature at -40°C to +105°C.

Pogo Pin
N066M2

2-∅1.60±0.10



NOTES: ALL DIMENSIONS AND NOTES
MARKED ✕ ARE CRITICAL AND
MUST BE CHECKED IN ACCORDANCE
WITH QUALITY DOC. QI-02A

Leo	5	21.08.17	A522
Leo	4	23.04.14	A427
Leo	3	13.11.13	A419
Allan	2	28.02.08	A113
Allan	1	01.08.06	--

NAME	ISS.	DATE	C/NOTE
------	------	------	--------

APPROVED: B.Lim

CHECKED: D.P

DRAWN: Leo

CUSTOMER REF.:

ASSEMBLY DRG:

HARWIN

HARWIN USA
TEL: 603 893 5376
FAX: 603 893 5396
mis@harwin.com

HARWIN Europe (UK)
TEL: 023 9231 4545
FAX: 023 9231 4590
mis@harwin.co.uk

HARWIN Asia
TEL: +65 6 779 4909
FAX: +65 6 779 3868
mis@harwin.com.sg

THIS DRAWING AND ANY
INFORMATION OR DESCRIPTIVE
MATTER SET OUT HEREON ARE
CONFIDENTIAL AND COPYRIGHT
PROPERTY OF THE HARWIN
GROUP AND MUST NOT BE
DISCLOSED, LOANED, COPIED
OR USED FOR MANUFACTURING,
TENDERING OR FOR ANY
OTHER PURPOSE WITHOUT
THEIR WRITTEN PERMISSION.

TOLERANCES
0~6.0 = ±0.05mm
>6~30 = ±0.10mm
>30~120 = ±0.15mm
X. = ±2°
X.X = ±1°
X.XX = ±0.5°
UNLESS STATED

MATERIAL:

SEE NOTES

FINISH:

SEE NOTES

S/AREA:

mm²

TITLE:

PITCH 2.4mm HEIGHT 5.0mm
2-POS POGO PIN CONNECTOR

DRAWING NUMBER:

P20-0245R

SHT
1
OF
1