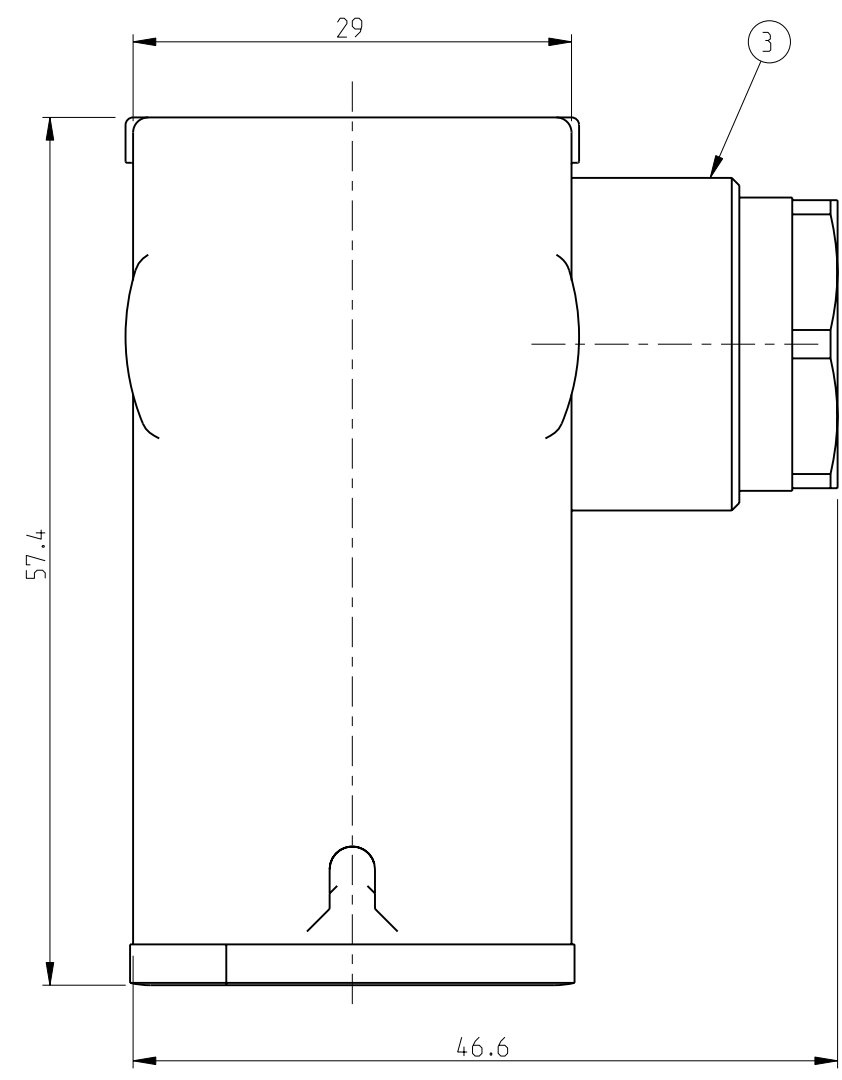
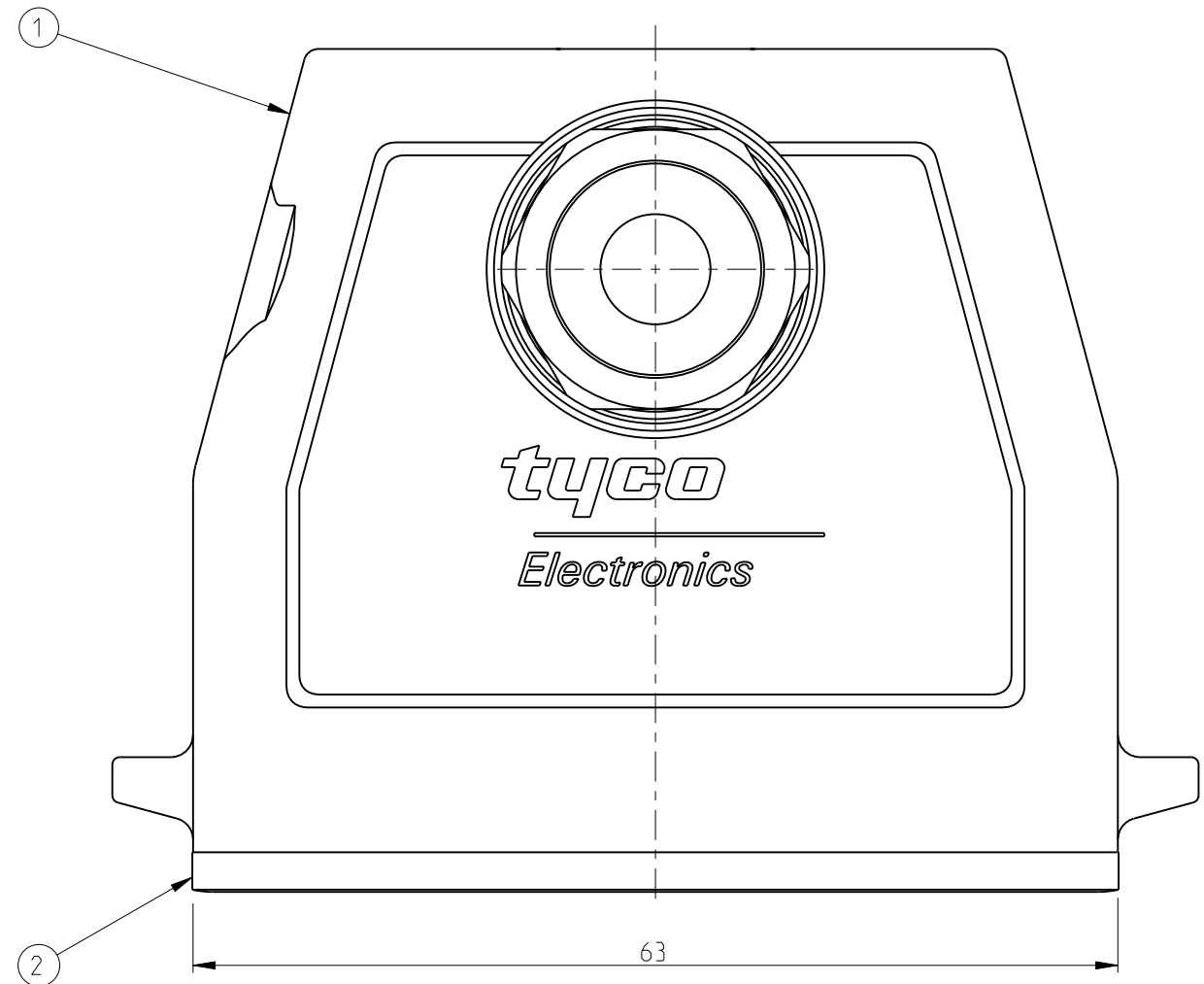
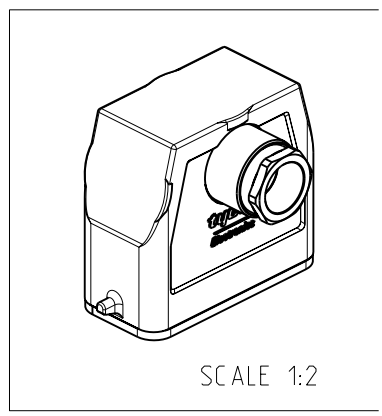


THIS DRAWING IS UNPUBLISHED. RELEASED FOR PUBLICATION 2000
 © COPYRIGHT 2000 BY TYCO ELECTRONICS CORPORATION. ALL RIGHTS RESERVED.

LOC	DIST	REVISIONS			
P	LTR	DESCRIPTION	DATE	DWN	APVD
A1	-	B2	RELEASED AS PER ECR-09-005170	05.MAR.2009	GG TS



- NOTES:
- 1 MATERIAL: SEE TABLE
 - 2 SURFACE AND COLOR: SEE TABLE
 - 3 VARNISH ON THE INSIDE NOT NECESSARY
 - 4 PACKAGING QUANTITY: 5 PIECES PER BOX



PN 0-1 AS SHOWN

0-1	DESCRIPTION	MATERIAL	SURFACE	COLOR	ITEM NO	REMARKS
1	Cable Fitting Round	Brass	Nickel Plated	Blue	3	Pg13.5
1	Profile seal	Neoprene		Black	2	
1	Hood, HA	Aluminium		Grey	1	

ORDERING TEXT		HA.10.STW .1.13.5			
DWN	S.KUMAR	2/23/2006	Tyco Electronics.AMP.GmbH 53757.Sankt Augustin.Germany		
CHK	R.SRINIVAS	2/23/2006			
APVD	T.SCHNURPFIL	2/23/2006			
PRODUCT SPEC	-				
APPLICATION SPEC	-		NAME	HOOD HA.10.STW .1.13,5	
WEIGHT	-		SIZE	A3	
CUSTOMER DRAWING		SCALE	2:1	CAGE CODE	00779
		DRAWING NO	C=1102034		
		RESTRICTED TO	-		
		SHEET	1	OF	1
		REV	B2		

<small>THIS DRAWING IS A CONTROLLED DOCUMENT FOR TYCO ELECTRONICS CORPORATION IT IS SUBJECT TO CHANGE AND THE CONTROLLING ENGINEERING ORGANIZATION SHOULD BE CONTACTED FOR THE LATEST REVISION.</small>	
DIMENSIONS:	TOLERANCES UNLESS OTHERWISE SPECIFIED:
mm	0 PLC ± 1 PLC ± 2 PLC ± 3 PLC ± 4 PLC ± ANGLES ±
	<small>n.ISO 8015: n.ISO 2768-mH-E: n.DIN 16901-120</small>
MATERIAL	FINISH
3	4