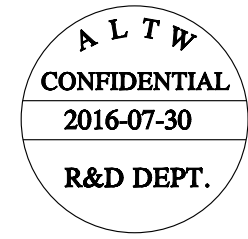
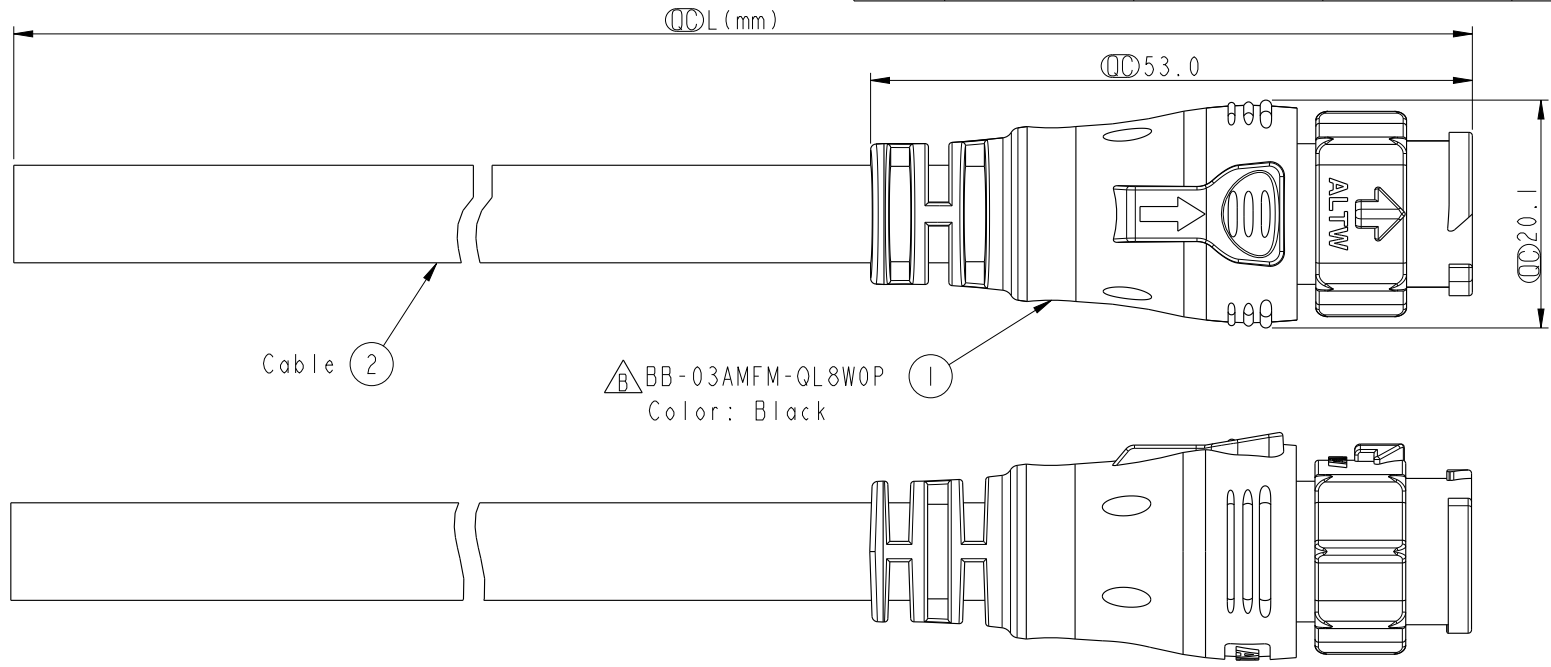
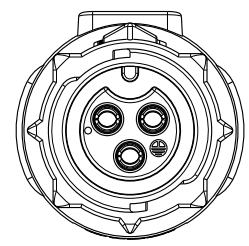


THIS DOCUMENT IS SUBJECT TO CHANGE WITHOUT NOTICE. IT IS CONFIDENTIAL AND A PROPERTY OF AMPHENOL LTW. DISCLOSURE TO THIRD PARTY HAS TO BE AUTHORIZED BY AMPHENOL LTW.

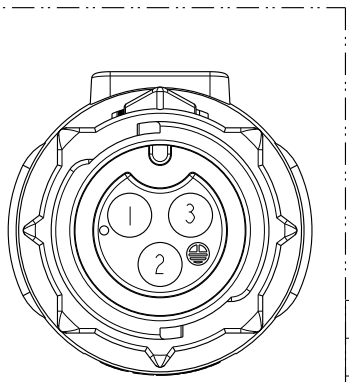
REV.	ECN NO.	DATE	SIGN	DESCRIPTION
B	LE31680197	2016-07-30	Tom Gu	Change Part No. of Half Finished



△ BB-03AMFM-QL8W0P
Color: Black



Conn.



Pin Assignments
Front View



BB-03AMFM-QL8EXX

- XX : 01~99Meters
- 01 : 01Meter
- 02 : 02Meters
- ...
- 99 : 99Meters

Cable Length(L): 01~99Meters

Note:

- * Ⓞ Important Dimension To Check.
- * Waterproof Rate: IP68(Mated)
(In 1 meter water within 24 hours)
- * Working Voltage Rating: AC 300 V
- * Working Current Rating: 10A
- * Housing: Nylon+GF, Black.
- * Female Pin: Copper Alloy, Gold Plated.
- * Cable: SJTW 16AWG*3C + Filler
PVC Jacket UV Resistant, OD=8.6, Black.
- * Cable Length Tolerance: 01M:±40mm
02M~05M:±60mm
06M~10M:±100mm
11M~30M:±200mm
31M~99M:±500mm

3	White	白
2	Green	綠
1	Black	黑
Conn.	Wire Color	
Pin Out		

UNIT:mm		
TOLERANCE	±0.5	

TITLE X-Lok B-Size (power) Molding M Conn F 3 Pin			
SCALE 3:2	SIZE A4	SHEET 1 OF 1	
REV. B	WC-REV. A.1	Ⓞ: Inspection item	

Amphenol LTW
安費諾亮泰企業股份有限公司

ITEM NO	DRAWN BY Tom Gu	DATE 2016-07-30
DWG NO BB-03AMFM-QL8EXX	CHECKED BY Spring Liu	DATE 2016-07-30
CUSTOMER ALTW	APPROVED BY Kevin Hu	DATE 2016-07-30