

C4532NP02J473J320KA

TDK Item Description : C4532NP02J473JT****

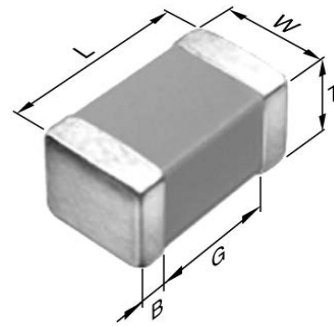


Application & Main Feature

Commercial Grade (High Temperature Application)

Series

C4532 [EIA CC1812]



Dimensions

L	4.50mm +/-0.4mm
W	3.20mm +/-0.4mm
T	3.20mm +/-0.3mm
B	0.20mm Min.
G	

Temperature Characteristic

NP0 (-55 to 150 degC 0+/-30ppm/degC)

Rated Voltage

2J (630Vdc)

Capacitance

47nF

Capacitance Tolerance

J (+/-5%)

Q Factor

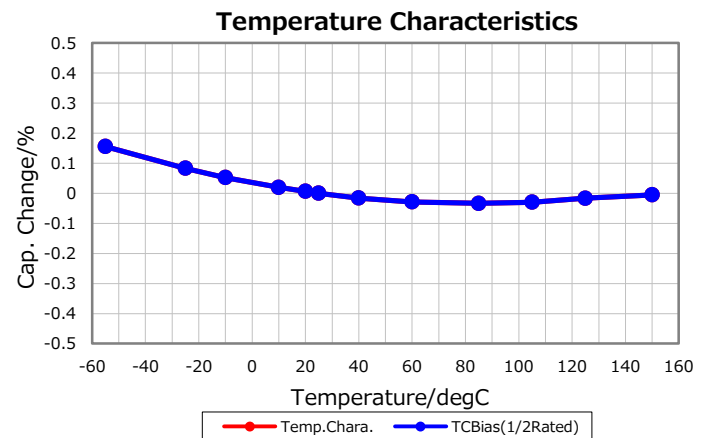
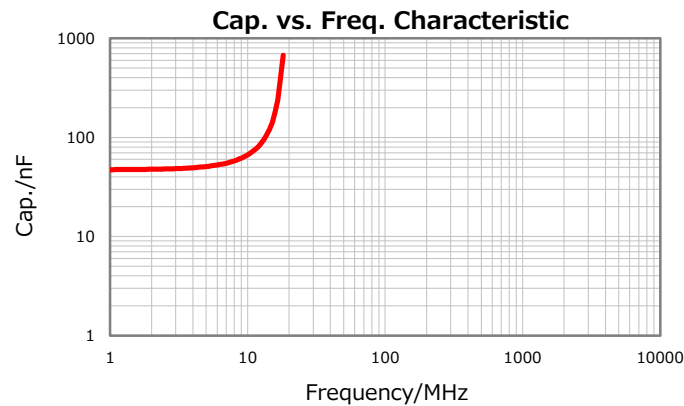
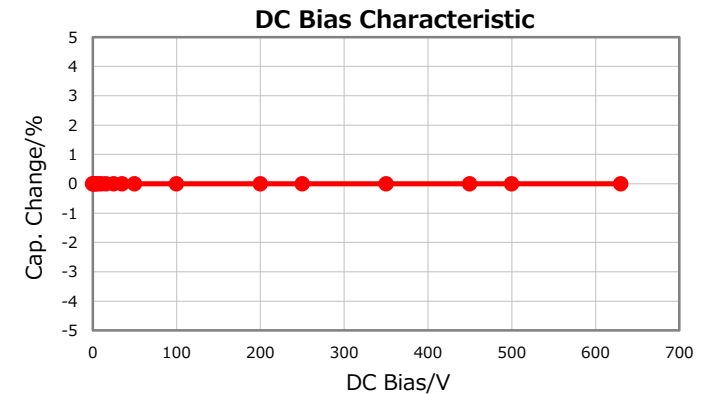
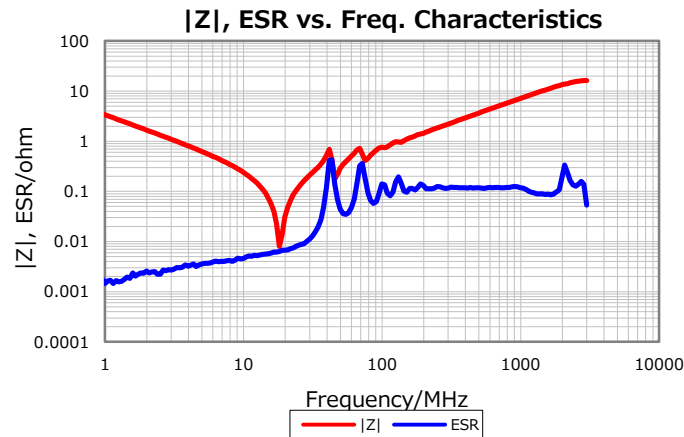
1000 Min.

Insulation Resistance

10Gohm Min

AEC-Q200

Not Applicable



Characterization Sheet (Multilayer Ceramic Chip Capacitors)



All specifications are subject to change without notice.