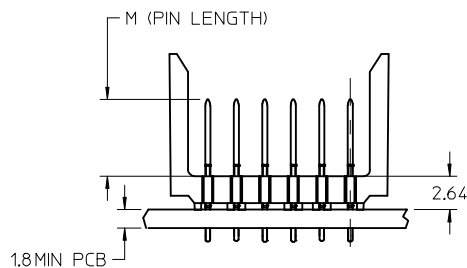
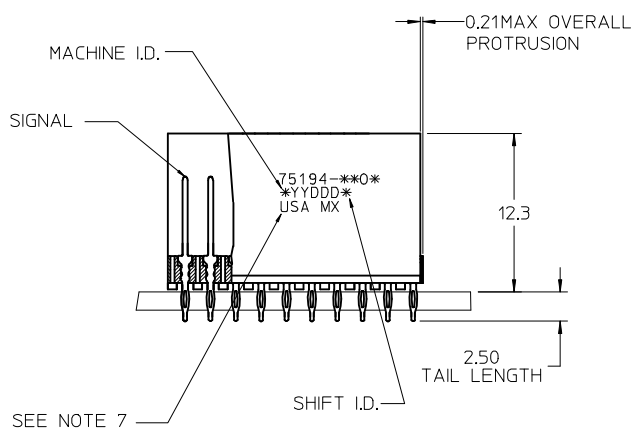


BACKPLANE HOLE PATTERN  
RECOMMENDED DIMENSIONS

NOTES:

- MATERIALS:  
HOUSING - LIQUID CRYSTAL POLYMER (LCP),  
GLASS-FILLED, UL 94V-0, COLOR: BLACK  
SIGNAL PIN - COPPER ALLOY
- FINISHES:  
CONTACT AREA: SELECTIVE GOLD (Au)  
PCB TAILS: SELECTIVE MATTE TIN (Sn)  
NICKEL (Ni) UNDERPLATE OVERALL.
- THIS PART CONFORMS TO MOLEX PRODUCT SPECIFICATION PS-74031-999
- FOR MIXED CONTACT LENGTHS CONSULT MOLEX FOR AVAILABILITY
- FOR SPECIFIC MATERIAL NUMBERS & MATING INFORMATION REFER TO SHEET 2
- PACKAGE PER PK-74057-003
- EITHER MARK PART WITH PART NUMBER & DATE CODE APPROXIMATELY WHERE SHOWN OR PLACE LABEL ON THE TUBE.
- MAPS (MOLEX ADVANCE PLATING SYSTEMS).



THE PRIMARY CARTON WITH A LABEL STATING  
"ELV AND RoHS COMPLIANT" IS LEAD FREE.  
CARTONS WITHOUT THIS LABEL MAY CONTAIN LEAD.

<b>LEAD FREE CONVERSION</b> EC NO: UCP2013-0687 DRAWN BY: DRWIN/MOLFE CHKD BY: CHYKSWANG APPR: SMILLER DATE: 2012/08/17 DATE: 2012/10/14	QUALITY SYMBOLS	GENERAL TOLERANCES (UNLESS SPECIFIED)	DIMENSION STYLE	SCALE	DESIGN UNITS	THIRD ANGLE PROJECTION
	▽=0	mm INCH	MM ONLY	2:1	METRIC	
	▽=0	4 PLACES ± ---	DRAWN BY: MBANDURA	DATE: 2002/12/18	TITLE: VHDM LITE 6 ROW, LF OPEN END BACKPLANE SALES DRAWING	
	▽=0	3 PLACES ± 0.25	CHECKED BY: NMARTIN	DATE: 2002/12/18	molex	
		ANGULAR ±1/2°	APPROVED BY: SMILLER	DATE: 2012/08/10	MATERIAL NO. SD-75194-001	SHEET NO. 1 OF 2
		DRAFT WHERE APPLICABLE MUST REMAIN WITHIN DIMENSIONS	SIZE D	THIS DRAWING CONTAINS INFORMATION THAT IS PROPRIETARY TO MOLEX INCORPORATED AND SHOULD NOT BE USED WITHOUT WRITTEN PERMISSION		

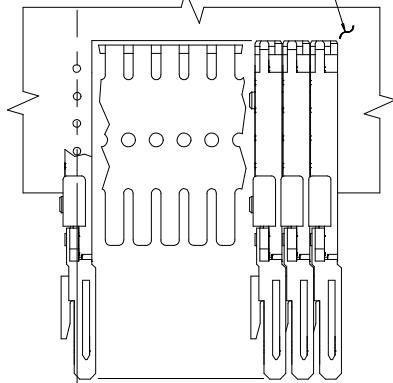
# MATERIAL NUMBER ASSIGNMENT

75194- \*\*0\*

PIN LENGTH \*M/  
GOLD THICKNESS.  
SEE TABLE

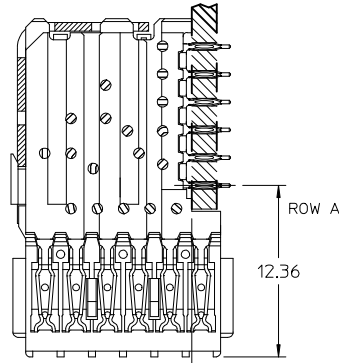
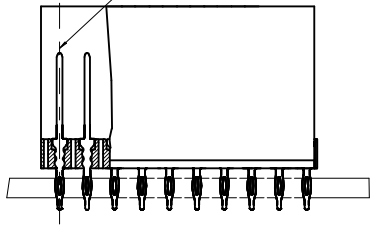
NUMBER OF COLUMNS/PLATING  
 10 = 10 COLUMN MATTE TIN (FORMERLY TIN/LEAD)  
 25 = 25 COLUMN MATTE TIN (FORMERLY TIN/LEAD)  
 60 = 10 COLUMN MATTE TIN (MAPS)  
 75 = 25 COLUMN MATTE TIN (MAPS)  
 90 = 10 COLUMN MATTE TIN  
 85 = 25 COLUMN MATTE TIN

SIGNAL COLUMN  
 DAUGHTERCARD CONNECTOR SIDE



0.41 OFFSET  
SIGNAL TO SIGNAL

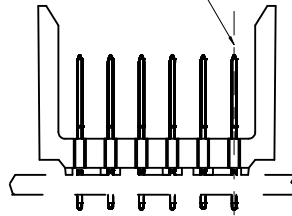
SIGNAL



ROW A  
 12.36

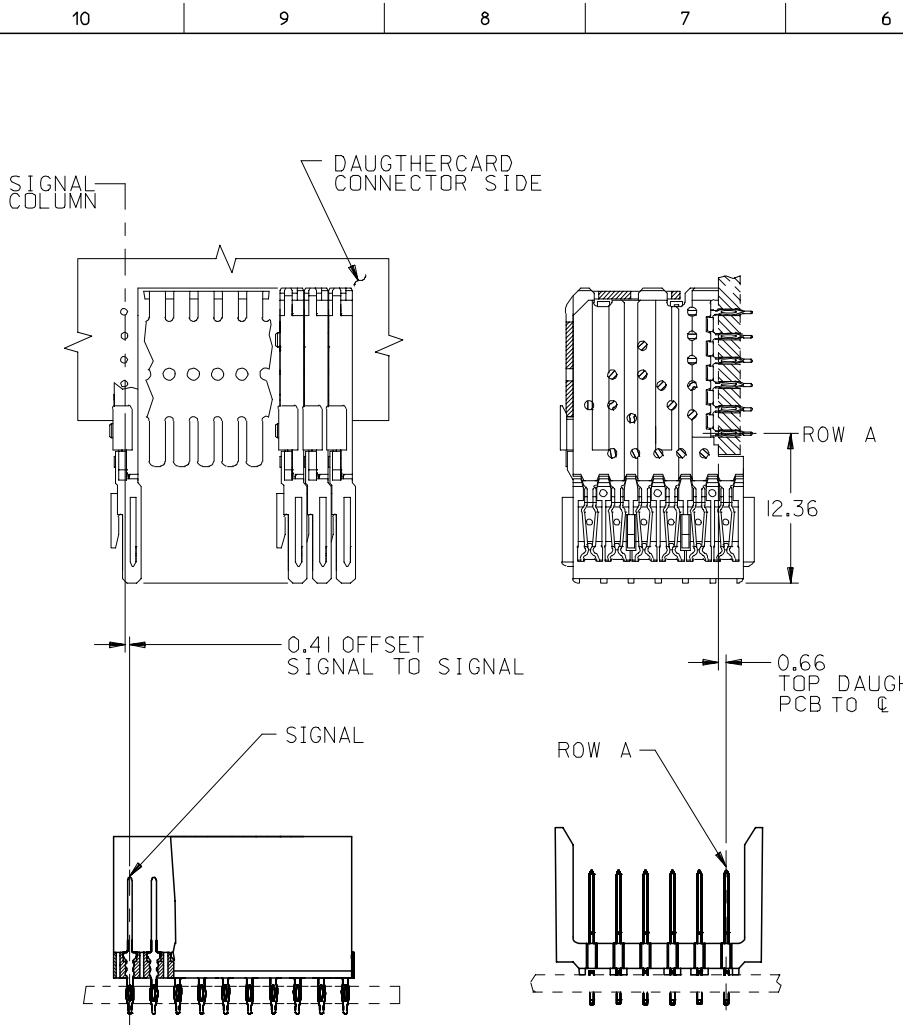
0.66  
TOP DAUGHTERCARD  
PCB TO  $\phi$  ROW A

ROW A



PART NUMBER	COLUMN	NUMBER OF SIGNAL PIN	NUMBER OF SHIELD	A	B	M	GOLD THICKNESS MICROMETER	TIN THICKNESS MICROMETER
<b>75194-6001</b>	10	60	10	20.00	18.00	4.75	0.25 MAPS	0.76-1.52
75194-*001							0.76	
75194-*006							1.27	
<b>75194-7501</b>	25	150	25	50.00	48.00	6.25	0.25 MAPS	0.76-1.52
75194-*501							0.76	
75194-*506							1.27	
<b>75194-6002</b>	10	60	10	20.00	18.00	4.25	0.25 MAPS	0.76-1.52
75194-*002							0.76	
75194-*007							1.27	
<b>75194-7502</b>	25	150	25	50.00	48.00	5.15	0.25 MAPS	0.76-1.52
75194-*502							0.76	
75194-*507							1.27	
<b>75194-6003</b>	10	60	10	20.00	18.00	4.25	0.25 MAPS	0.76-1.52
75194-*003							0.76	
75194-*008							1.27	
<b>75194-7503</b>	25	150	25	50.00	48.00	5.15	0.25 MAPS	0.76-1.52
75194-*503							0.76	
75194-*508							1.27	
<b>75194-6004</b>	10	60	10	20.00	18.00	4.25	0.25 MAPS	0.76-1.52
75194-*004							0.76	
75194-*009							1.27	
<b>75194-7504</b>	25	150	25	50.00	48.00	5.15	0.25 MAPS	0.76-1.52
75194-*504							0.76	
75194-*509							1.27	

SEE SHEET 1 EIC NO: UCP2013-0687 DRAWN BY: CHYKSWANG CHECKED BY: APPR:SMILLER DATE: 2012/08/17 DATE: 2012/12/14	QUALITY SYMBOLS	GENERAL TOLERANCES (UNLESS SPECIFIED)	DIMENSION STYLE	SCALE	DESIGN UNITS	THIRD ANGLE PROJECTION
	▽=0 ▽=0 ▽=0	mm INCH 4 PLACES ±--- ±--- 3 PLACES ±--- ±--- 2 PLACES ±0.25 ±--- 1 PLACE ±0.38 ±--- 0 PLACE ±--- ±---	MM ONLY	2:1	METRIC	TITLE: VHDM LITE 6 ROW, LF OPEN END BACKPLANE SALES DRAWING <b>molex</b>
	ANGLAR ±1/2° DRAFT WHERE APPLICABLE MUST REMAIN WITHIN DIMENSIONS	DRAWN BY: MBANDURA CHECKED BY: NMARTIN APPROVED BY: SMILLER DATE: 2002/12/18 DATE: 2002/12/18 DATE: 2012/08/10	MATERIAL NO. SEE TABLE DOCUMENT NO. SD-75194-001	SHEET NO. 2 OF 2		
	THIS DRAWING CONTAINS INFORMATION THAT IS PROPRIETARY TO MOLEX INCORPORATED AND SHOULD NOT BE USED WITHOUT WRITTEN PERMISSION					



PART NUMBER	COLUMN	NUMBER OF SIGNAL PIN	NUMBER OF SHIELD	A	B	M	Au (um) THICKNESS	Sn (um) THICKNESS
75194-*001	10	60	0	20.00	18.00	4.75	0.76	0.76-1.52
75194-*501	25	150	0	50.00	48.00		0.76	
75194-*002	10	60	0	20.00	18.00	6.25	0.76	
75194-*502	25	150	0	50.00	48.00		0.76	
75194-*003	10	60	0	20.00	18.00	4.25	0.76	
75194-*503	25	150	0	50.00	48.00		0.76	
75194-*004	10	60	0	20.00	18.00	5.15	0.76	
75194-*504	25	150	0	50.00	48.00		0.76	

MATERIAL NUMBER ASSIGNMENT

75194- \*\* \*\*  
 SEE TABLE  
 NUMBER OF COLUMNS/PLATING  
 10 = 10 COLUMN TIN/LEAD  
 25 = 25 COLUMN TIN/LEAD  
 90 = 10 COLUMN MATTE TIN  
 85 = 25 COLUMN MATTE TIN

SEE SHEET 1 EC NO: UCP2006-0059 DRWN: KMLVEY 2005/07/13 CHKD: 2005/07/13 APPR: SREED 2005/07/15	QUALITY SYMBOLS	GENERAL TOLERANCES (UNLESS SPECIFIED)	DIMENSION STYLE	SCALE	DESIGN UNITS	THIRD ANGLE PROJECTION																								
	$\nabla=0$ $\nabla=0$	<table border="1"> <tr><th></th><th>MM</th><th>INCH</th></tr> <tr><td>4 PLACES</td><td>± ---</td><td>± ---</td></tr> <tr><td>3 PLACES</td><td>± ---</td><td>± ---</td></tr> <tr><td>2 PLACES</td><td>± ---</td><td>± ---</td></tr> <tr><td>1 PLACE</td><td>± ---</td><td>± ---</td></tr> </table>		MM	INCH	4 PLACES	± ---	± ---	3 PLACES	± ---	± ---	2 PLACES	± ---	± ---	1 PLACE	± ---	± ---	MM ONLY	2.5:1	METRIC										
		MM	INCH																											
	4 PLACES	± ---	± ---																											
	3 PLACES	± ---	± ---																											
2 PLACES	± ---	± ---																												
1 PLACE	± ---	± ---																												
<table border="1"> <tr><th></th><th>MM</th><th>INCH</th></tr> <tr><td>4 PLACES</td><td>± ---</td><td>± ---</td></tr> <tr><td>3 PLACES</td><td>± ---</td><td>± ---</td></tr> <tr><td>2 PLACES</td><td>± ---</td><td>± ---</td></tr> <tr><td>1 PLACE</td><td>± ---</td><td>± ---</td></tr> </table>		MM	INCH	4 PLACES	± ---	± ---	3 PLACES	± ---	± ---	2 PLACES	± ---	± ---	1 PLACE	± ---	± ---	<table border="1"> <tr><th></th><th>DATE</th></tr> <tr><td>DRAWN BY</td><td>MBANDURA 2002/12/18</td></tr> <tr><td>CHECKED BY</td><td>DATE</td></tr> <tr><td>APPROVED BY</td><td>DATE</td></tr> <tr><td>DATE</td><td>2002/12/18</td></tr> </table>		DATE	DRAWN BY	MBANDURA 2002/12/18	CHECKED BY	DATE	APPROVED BY	DATE	DATE	2002/12/18	TITLE	VHDM LITE 6 ROW OPEN END BACKPLANE SALES ASSEMBLY		
	MM	INCH																												
4 PLACES	± ---	± ---																												
3 PLACES	± ---	± ---																												
2 PLACES	± ---	± ---																												
1 PLACE	± ---	± ---																												
	DATE																													
DRAWN BY	MBANDURA 2002/12/18																													
CHECKED BY	DATE																													
APPROVED BY	DATE																													
DATE	2002/12/18																													
<table border="1"> <tr><th></th><th>DATE</th></tr> <tr><td>APPROVED BY</td><td>DATE</td></tr> <tr><td>DATE</td><td>2002/12/18</td></tr> </table>		DATE	APPROVED BY	DATE	DATE	2002/12/18	<table border="1"> <tr><th></th><th>DATE</th></tr> <tr><td>APPROVED BY</td><td>DATE</td></tr> <tr><td>DATE</td><td>2002/12/18</td></tr> </table>		DATE	APPROVED BY	DATE	DATE	2002/12/18	MATERIAL NO.	DOCUMENT NO.	SHEET NO.														
	DATE																													
APPROVED BY	DATE																													
DATE	2002/12/18																													
	DATE																													
APPROVED BY	DATE																													
DATE	2002/12/18																													
DRAFT WHERE APPLICABLE MUST REMAIN WITHIN DIMENSIONS		SEE CHART	SD-75194-001	2 OF 2																										
		SIZE B	THIS DRAWING CONTAINS INFORMATION THAT IS PROPRIETARY TO MOLEX INCORPORATED AND SHOULD NOT BE USED WITHOUT WRITTEN PERMISSION																											