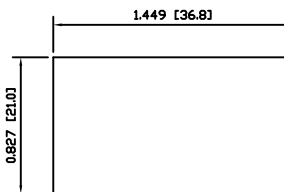
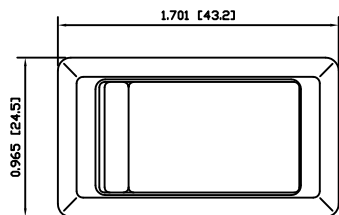


SUGGESTED PANEL CUTOUT



MATERIALS

BODY:
Phenolic (PF), UL94 V-2

ACTUATOR:
Polyamide 6/6 (PA66), UL94 V-2
Brass

SEALING MEMBRANE:
Polyvinyl Chloride (PVC)

SPRING:
Plano Wire

MOBILE CONTACT:
Silver Plated Copper

CONTACTS:
Silver Clad Copper

RIVETS:
Copper

TERMINALS:
Brass

SPECIFICATIONS

FUNCTION:
1P1T OFF-ON

RATINGS:
ANSI/UL 508 and CAN/CSA C22.2 No.14 (E195908):
20A 125VAC [cURus]
15A 277VAC [cURus]
2HP 125/250VAC [cURus]

CONTACT RESISTANCE:
Initial: 50mΩ Max. at 50VAC

ELECTRICAL LIFE:
6,000 Cycles [cURus]

TEMPERATURE:
Operating: -20°C to 55°C [cURus]

INGRESS PROTECTION:
IP54

APPROVALS:

COLORS AND MARKINGS

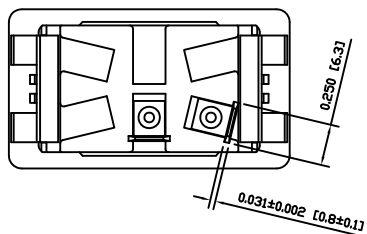
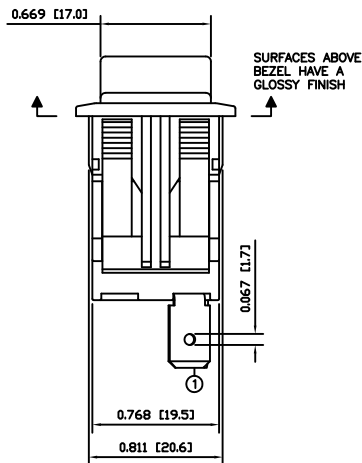
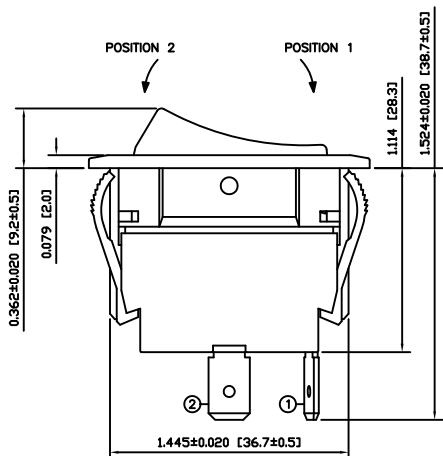
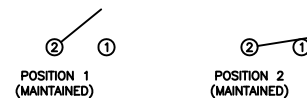
BODY COLOR:
Black

ACTUATOR COLOR:
White

MARKINGS:
None

MARKING COLOR:
None

SCHEMATIC



ACTUATOR	A	09/06/11	CAB
BODY	A	09/06/12	CAB
COLORS	A	09/07/28	CAB
MATERIALS	A	09/06/15	CAB
SPECIFICATIONS	A	09/06/23	CAB
REFERENCE	REV.	DATE	BY

THE INFORMATION CONTAINED IN THIS DOCUMENT IS PROPRIETARY TO E-SWITCH AND IS NOT TO BE COPIED OR TRANSFERRED

A	INITIAL RELEASE	PCRD0050	09/07/28	CAB
REV.	DESCRIPTION	PCR	DATE	DRAWN BY

DIMENSIONS	
INCHES [MILLIMETERS]	
GENERAL TOLERANCES	
±0.008 [±0.2] / ±1'	
SCALE	PROJECTION
DRAWING NOT TO SCALE	

RWG41D1200		
DRAWING NUMBER	DATE	REVISION
34-RWG41D1200	JULY 28, 2009	A