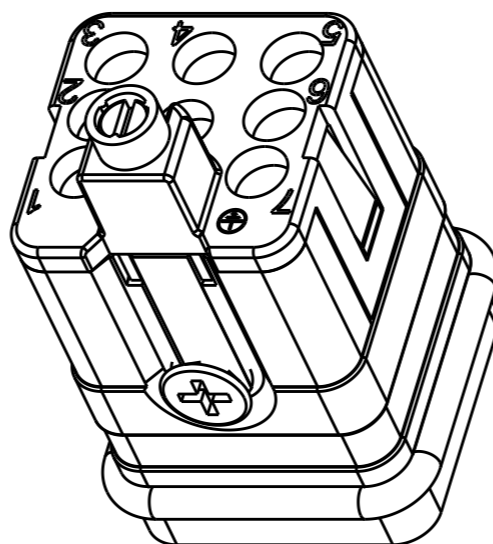
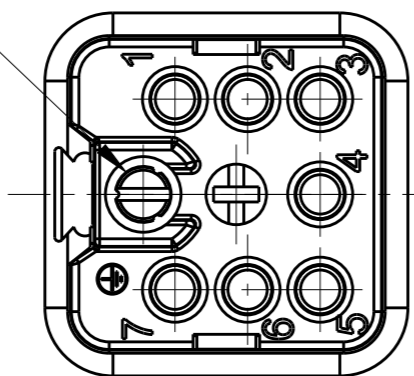


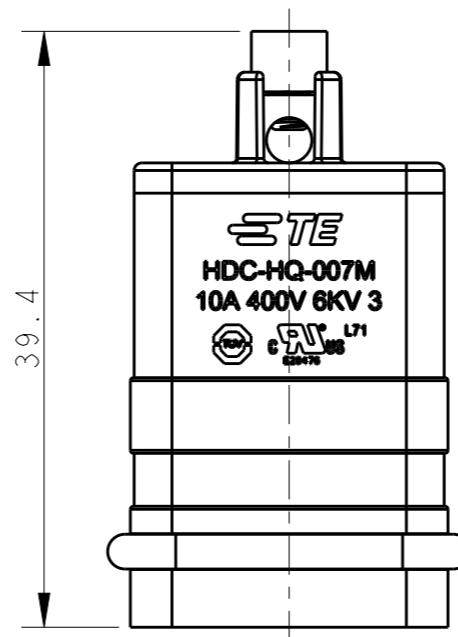
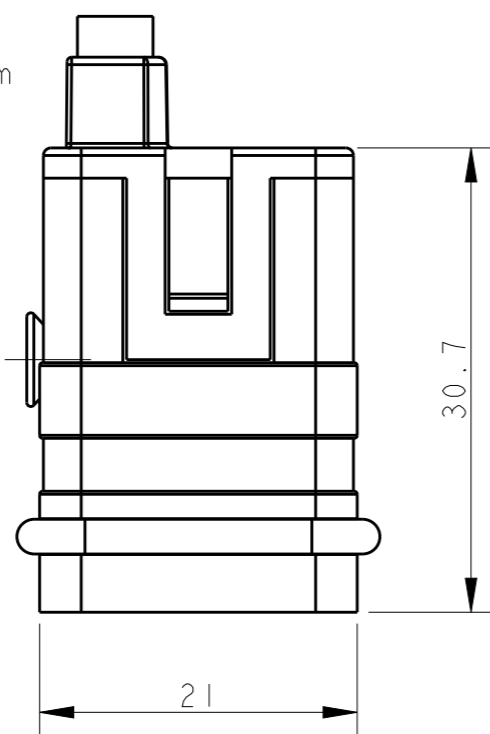
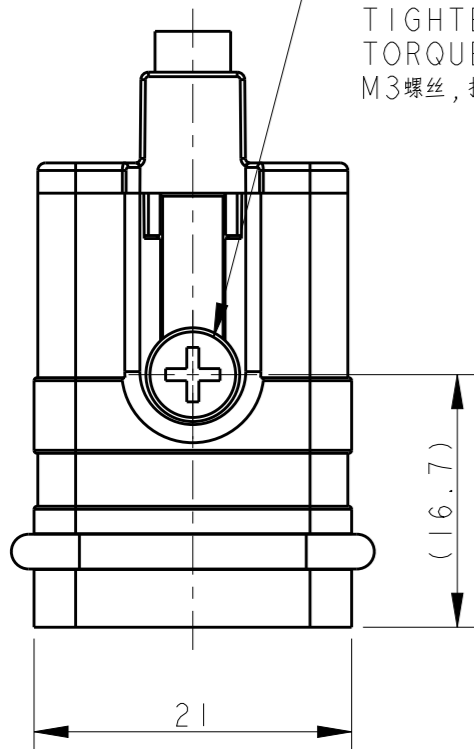
REVISIONS

P	LTR	DESCRIPTION	DATE	DWN	APVD
A		INITIAL RELEASE	02APR2015	DL	CW
B		ECR-15-014706	10OCT2015	DL	CW
B1		ECR-15-016505	11NOV2015	DL	CW
B2		ECR-16-018198	16JAN2017	QY	CW

M3 THREAD
RECOMMENDED
TIGHTENING
TORQUE 0.5Nm
M3螺丝, 推荐锁紧力矩0.5Nm



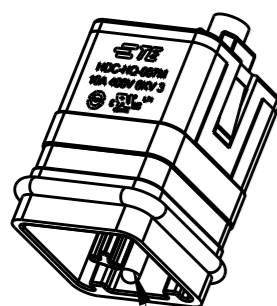
M3 THREAD
RECOMMENDED
TIGHTENING
TORQUE 0.5Nm
M3螺丝, 推荐锁紧力矩0.5Nm



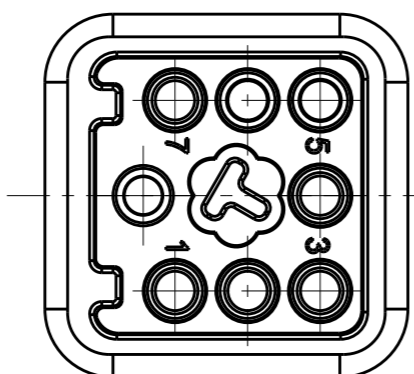
- NOTES:
- TECHNICAL CHARACTERISTICS:
INSULATION MATERIAL: PC
RATED VOLTAGE: 400 V
RATED CURRENT: 10 A
INSULATION RESISTANCE: $\geq 400M\Omega$
RATED IMPULSE VOLTAGE: 6 KV
POLLUTION DEGREE: 3
FLAMMABILITY: UL94V-0
MATING CYCLES: 500 CYCLES
WIRE RANGE: 0.14-2.5 mm² (26-14 AWG)
CONTACT TYPE: CRIMP CONTACT
 - CONTACT NEED TO BE ORDERED SEPARATELY.
(ORDER No. REFER TO DRAWING: T20200X10XX000)

- 注释:
- 技术参数:
绝缘材料: PC
额定电压: 400V
额定电流: 10A
绝缘电阻: $\geq 400M\Omega$
额定脉冲电压: 6 KV
污染等级: 3
阻燃等级: UL94V-0
插拔次数: 500次
接线范围: 0.14-2.5 mm² (26-14 AWG)
接线类型: 冷压接
 - 端子需要单独订购.
(订货号参考图面: T20200X10XX000)

TYPE-1:T2080072101-000 TE LOGO
类型-1:T2080072101-000 TE LOGO



GROUNDING CONTACT TYPE: SCREW CONTACT
GROUNDING CONTACT FINISH: SILVER PLATED
WIRE RANGE: 2.5mm² (AWG14)
接地端子类型: 螺丝连接端子 / 接地端子表面处理: 镀银 / 接线范围: 2.5mm² (AWG14)



THIS DRAWING IS A CONTROLLED DOCUMENT.		DWN 31MAR2015 DAVID LI		TE Connectivity	
DIMENSIONS: mm		CHK 31MAR2015 CHRIS WANG			
TOLERANCES UNLESS OTHERWISE SPECIFIED:		APVD 31MAR2015 XU XIANG		NAME HQ-007-M	
0 PLC ±-		PRODUCT SPEC 108-137114		SIZE A3	
1 PLC ±-		APPLICATION SPEC 114-137114		CAGE CODE -	
2 PLC ±-		WEIGHT -		DRAWING NO T2080072101000	
3 PLC ±-		CUSTOMER DRAWING		RESTRICTED TO -	
4 PLC ±-		SCALE 2:1		SHEET 1 OF 2	
ANGLES ±-		REV B2			
FINISH -					

4

3

2

1

THIS DRAWING IS UNPUBLISHED.

RELEASED FOR PUBLICATION

20

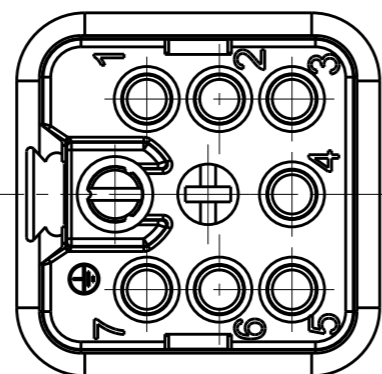
© COPYRIGHT 20 BY -

ALL RIGHTS RESERVED.

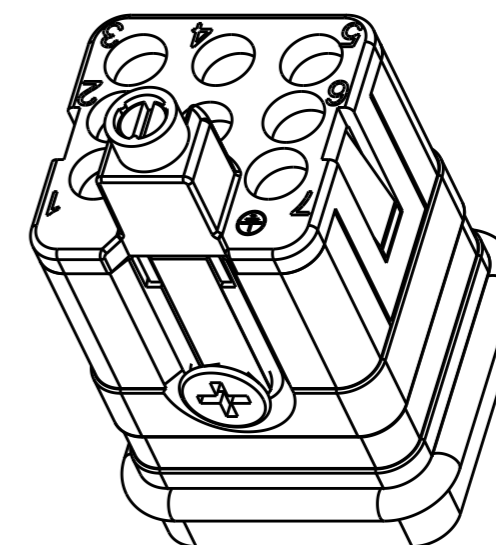
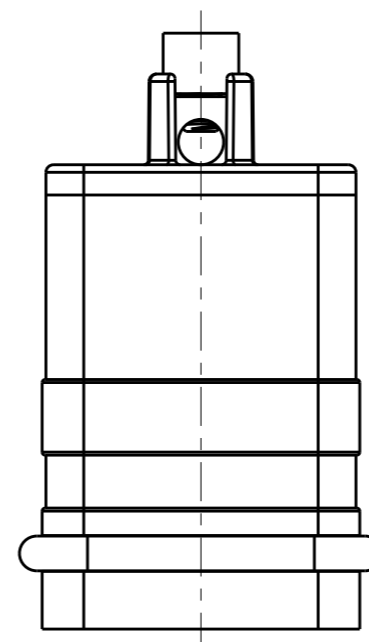
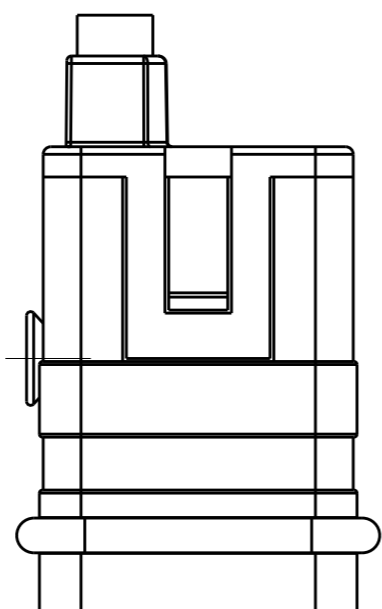
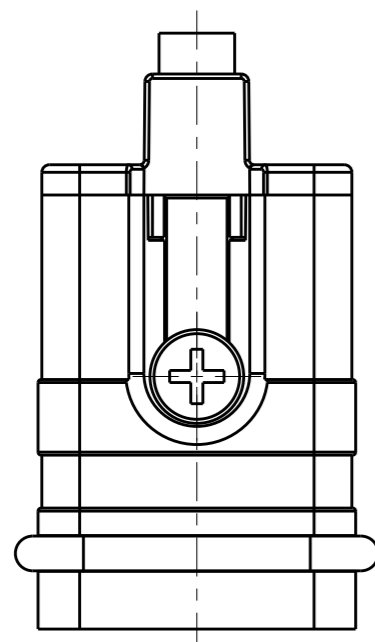
REVISIONS

P	LTR	DESCRIPTION	DATE	DWN	APVD
-	-	SEE SHEET 1	-	-	-

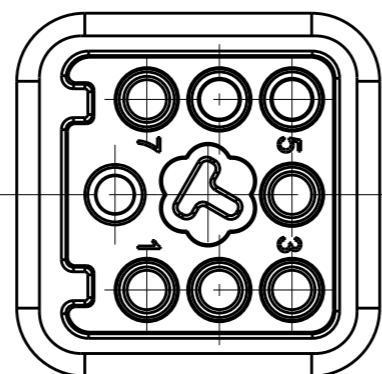
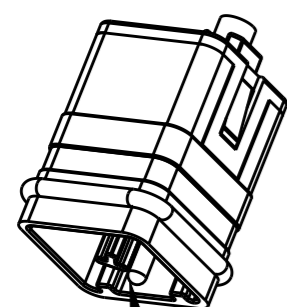
ALL DIMENSIONS ARE SAME AS TYPE 1,
EXCEPT THOSE DEFINED IN THIS TYPE.
除了在本类型中定义的尺寸外,其它尺寸同类型 |



NOTES:
SEE SHEET 1
注释:
见页 1



TYPE-2: T2080072101-001 STAINLESS STEEL SCREW, NO LOGO
类型-2: T2080072101-001 不锈钢螺丝, 无LOGO



T2080072101-001	HQ-007-M	HQ-007 MALE INSERT, STAINLESS STEEL SCREW, NO LOGO HQ-007公插, 不锈钢螺丝, 无LOGO	TYPE-2 类型-2
T2080072101-000	HQ-007-M	HQ-007 MALE INSERT HQ-007公插	TYPE-1 类型-1
PART NUMBER 料号	PART DESCRIPTION 描述		TYPE 类型

GROUNDING CONTACT TYPE: SCREW CONTACT
GROUNDING CONTACT FINISH: SILVER PLATED
WIRE RANGE: 2.5mm² (AWG14)
接地端子类型: 螺丝连接端子 / 接地端子表面处理: 镀银 / 接线范围: 2.5mm² (AWG14)

THIS DRAWING IS A CONTROLLED DOCUMENT.		DWN DAVID LI 31MAR2015		
DIMENSIONS: mm		CHK CHRIS WANG 31MAR2015		
TOLERANCES UNLESS OTHERWISE SPECIFIED:		APVD XU XIANG 31MAR2015	NAME HQ-007-M	
0 PLC ±-		PRODUCT SPEC 108-137114	RESTRICTED TO	
1 PLC ±-		APPLICATION SPEC 114-137114	SIZE A3	CAGE CODE -
2 PLC ±-		WEIGHT -	DRAWING NO C-T2080072101000	SCALE 2:1
3 PLC ±-		CUSTOMER DRAWING	SHEET 2 OF 2	REV B2
4 PLC ±-				
ANGLES ±-				
FINISH				
MATERIAL				