



Series 5236 for μSIM Card Connector

SPECIFICATION

- No. of Positions : 8 or 16 pin
- Pitch: 0.7mm
- Height: Single 1.30mm, Dual 2.75mm
- Rated Current: DC 0.5A
- Rated Voltage: DC 5.0V
- Withstanding Voltage: AC 500Vrms/min.

APPLICATION & MARKETS

The 5236 Series are Memory Card Connectors for μSIM cards. These products are user-friendly, push-push types featuring a spring-eject mechanism with a nice “click” feeling. A shell-guide mechanism prevents incorrect card insertion and unwanted card ejection. In addition, a normally-closed switch detects the existence of the card. A dual type is also available which does not require card replacement and enables the user to insert two cards at the same time. These low profile, space-saving connectors are suitable for compact mobile applications such as smartphones and tablet PCs.

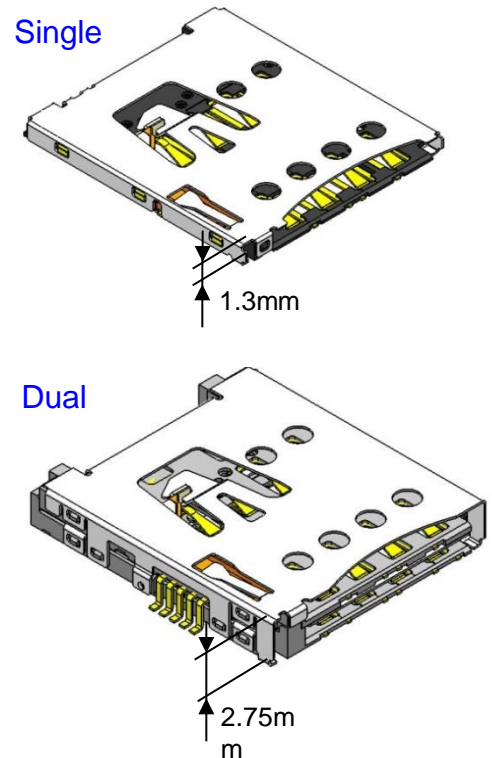
PRODUCT OPTIONS

- Low profile, space-saving design with 1.3mm height, 14.4mm width, and 16.2mm depth in the single type, and 2.75mm height, 16.28mm width (with tail), and 17.22mm depth in the dual type.
- Normal mount & push-push eject type
- Shell-guide mechanism prevents incorrect card insertion and unwanted card ejection.
- Plating Specifications
- Equipped with a normally-closed card switch to detect the existence of the card contributing to lower power consumption
- Improved workability with an ensured card ejection distance of 3.8mm.
- 3,000 mating cycles are guaranteed.
- Contact Material: Copper alloy
- Insulator Material: Heat resistance plastic
- Operating Temperature Range: -40 to +85° C

QUESTIONS/HELP: **E-Mail us...** ked@avx.com
Our URL... <http://avx.com>

Specification

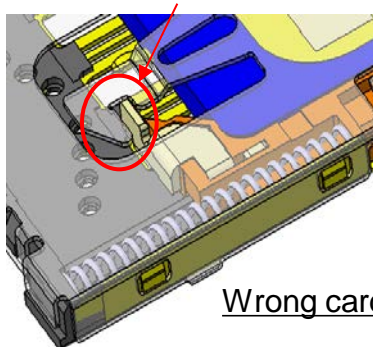
	Single	Dual
Height	1.30mm	2.75mm
Width	14.4mm	16.28mm
Length	16.2mm	17.22mm
No. of pin counts	8	16
Current rating	0.5A/contact	
Voltage rating	5V/contact	
Operation Temp.	-40 to +85 deg. C	
Mating durability	3,000 times	
Compliance	RoHS + Halogen Free	



Key Selling Features / Benefits:

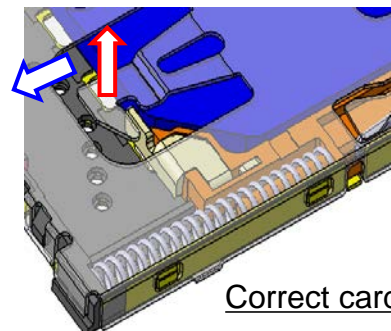
- User-friendly Push-Push type adopted for a secure card operation.
- Equipped with Wrong Card Detection protection.
- Equipped with Closed Card Detection switch, contributing to lower power consumption.
- Common PCB layout between Single and Dual styles.

Guide on shell to stop the insertion of a wrong card. Correct card insertion lifts the shell guide



Wrong card insertion

Card insertion



Correct card insertion