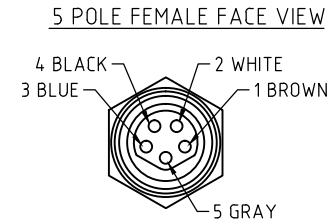
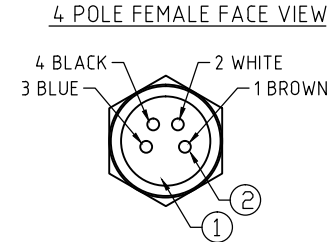
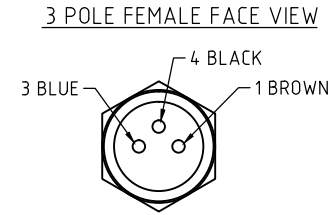
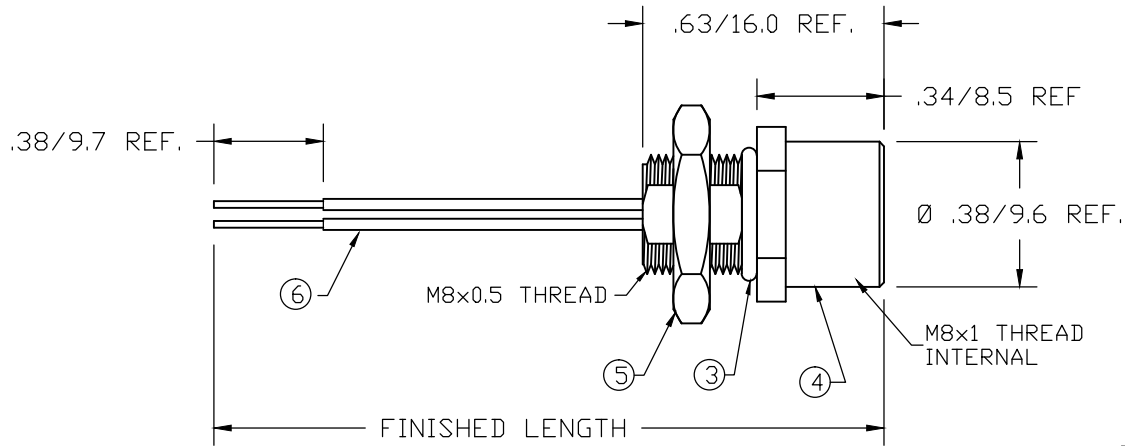


MATERIAL NUMBER	OLD PART NUMBER	FINISHED LENGTH
120090-0016	4R3P00A27C300	11.81" +.75" -0 [1.3M +19.1 -0]
120090-0018	4R3P00A27M010	3.28' +2.19" -0 [1.0M +55.6 -0]
120090-0029	4R4P00A27C300	11.81" +.75" -0 [1.3M +19.1 -0]
120090-0031	4R4P00A27M010	3.28' +2.19" -0 [1.0M +55.6 -0]
120090-0037	4R5P00A27C300	11.81" +.75" -0 [1.3M +19.1 -0]



VOLTAGE RATING FOR 3 AND 4 POLE	60 VAC/ 75 VDC
VOLTAGE RATING FOR 5 POLE	30 VAC/VDC
AMPERAGE RATING FOR 3 AND 4 POLE	3 AMPS
AMPERAGE RATING FOR 5 POLE	3 AMPS
PROTECTION	IP67
OPERATING TEMPERATURE	-20°C TO 105°C
UL CERTIFICATIONS	UL LISTED, FILE NO. E152210
CSA CERTIFICATIONS	CSA CERTIFIED, FILE NO. LR6837

ITEM	COMPONENT	MATERIAL	FINISH
1	INSERT	POLYURETHANE	BLACK
2	CONTACT PIN	COPPER ALLOY	GOLD OVER NICKEL BLACK
3	O-RING	NITRILE	BLACK
4	RECEPTACLE SHELL	BRASS	NICKEL PLATED
5	LOCKNUT	BRASS	NICKEL PLATED
6	CONDUCTOR- 24 AWG, (.22mm) COPPER STRANDING) 3 CONDUCTOR	PVC	SEE WIRING DIAGRAM

RLSD DRAWING	11/10/11
EC NO: WEU2012-0155	
DRWN: VOU	
CHKD: KJOZMIK	
APPR: JFMURPHY	2009/08/28
REV	

QUALITY SYMBOLS
▽=0
▽C=0

	GENERAL TOLERANCES (UNLESS SPECIFIED)	
	mm	INCH
4 PLACES	±--	±---
3 PLACES	±--	±.005
2 PLACES	±.15	±.01
1 PLACE	±0.3	±.020
ANGULAR ±1/2°		
DRAFT WHERE APPLICABLE MUST REMAIN WITHIN DIMENSIONS		

DIMENSION STYLE	
IN/MM	
DRAWN BY	DATE
BW	2009/08/26
CHECKED BY	DATE
LH	2009/08/26
APPROVED BY	DATE
JFMURPHY	2009/08/28
MATERIAL NO.	
SEE CHART	
SIZE	
A	

SCALE	DESIGN UNITS	THIRD ANGLE PROJECTION
2:1	METRIC	☉
TITLE		
M8 FEMALE RECEPTACLE 3-5P M8X0.5 MOUNTING THD		
MOLLEX MOLEX INCORPORATED		
MATERIAL NO.	DOCUMENT NO.	SHEET NO.
	SD-120090-009	1 OF 1
THIS DRAWING CONTAINS INFORMATION THAT IS PROPRIETARY TO MOLEX INCORPORATED AND SHOULD NOT BE USED WITHOUT WRITTEN PERMISSION		