

NOTES:

1. MATERIALS AND PLATING:

BODY: BRASS, GOLD PLATED
 CONTACT: BRASS, GOLD PLATED
 RING: BERYLLIUM COPPER, GOLD PLATED
 FERRULE: COPPER ALLOY, GOLD PLATED
 INSULATOR: PTFE

2. FOR CABLE STRIPPING AND ASSEMBLY INSTRUCTIONS
 SEE 349-50627, SHT 3. USE CRIMP TOOL 227-944
 WITH DIE SET 227-1221-03, CAVITY "B" (.105 HEX.)

3. SINGLE PACKAGE CONNECTOR IN ANTI-STATIC BAG. MARK BAG: "908-41200", QTY., WORK ORDER #, AND DATE CODE.

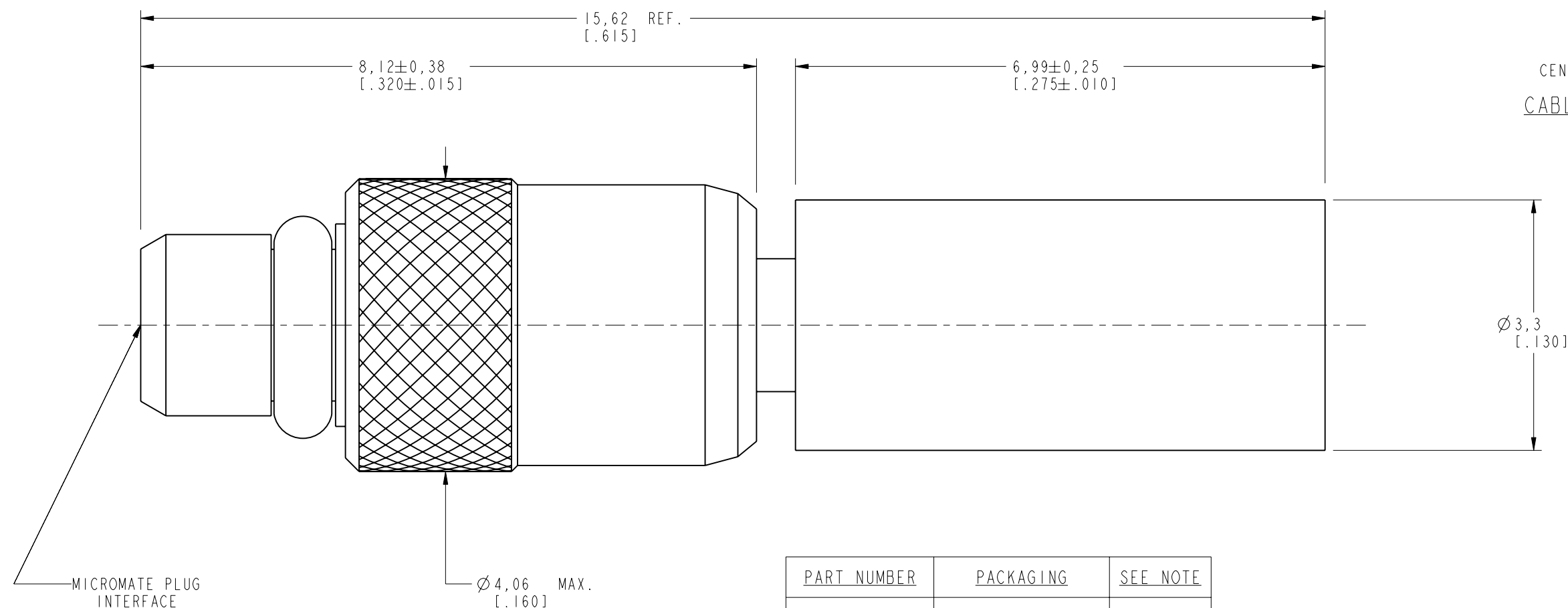
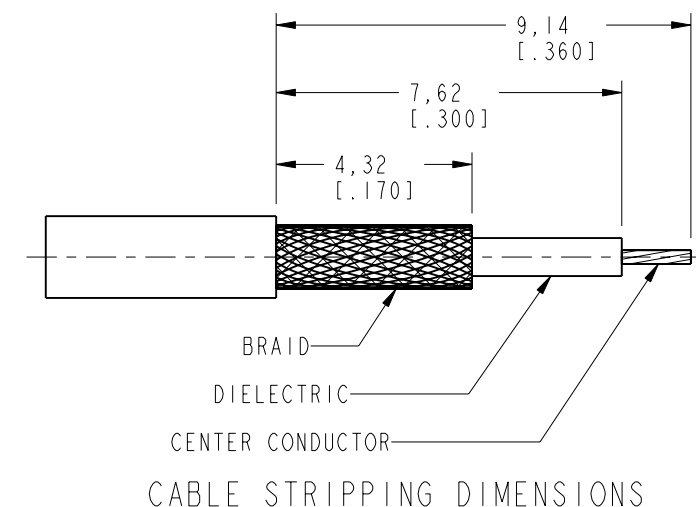
4. BULK PACK AS FOLLOWS:

FERRULE = 500 IN ONE (1) BAG
 CONTACT = 500 IN ONE (1) BAG
 CONNECTOR = 500 IN ONE (1) BAG
 PACKAGE ALL 3 BAGS IN ONE (1) BAG.
 MARK BAG: "908-41200B", QTY., WORK ORDER #, AND DATE CODE.

THIRD ANGLE PROJ.

REVISIONS

REV	DESCRIPTION	DATE	ECO	APPR
A	RELEASE TO MFG.	11/7/96	41601	BCG
B	SEE SHEET I	4/27/00	43271	CPM
C	SEE SHEET I	8/3/00	43467	CPM
D	SEE SHEET I	9/20/00	43516	CPM
E	UPDATA DRAWING FORMAT	4-Aug-11	48715	SCOTT
F	ADD NOTES ON ASSEMBLY DRAWING/ RD-DM110819011	26-Aug-11		SCOTT



PART NUMBER	PACKAGING	SEE NOTE
908-41200	SINGLE PACK	NOTE 3
908-41200B	BULKPACK 500 PCS.	NOTE 4

CUSTOMER OUTLINE DRAWING
 ALL OTHER SHEETS ARE FOR INTERNAL USE ONLY

UNLESS OTHERWISE SPECIFIED, DIMENSIONS ARE IN METRIC AND TOLERANCES ARE:
 <0.5mm ±0.05mm 0.5 - 6mm ±0.1mm 6 - 30mm ±0.2mm 30 - 120mm ±0.3mm ANGLES ±1°

NOTICE - These drawings, specifications, or other data (1) are, and remain the property of Amphenol corp. (2) must be returned upon request; and (3) are confidential and not to be disclosed to any person other than those to whom they are given by Amphenol Corp. the finishing of these drawings, specifications, or other data by Amphenol Corp., or to any other person to anyone for any purpose is not to be regarded by implication or otherwise in any manner licensing, granting rights to permitting such holder or any other person to manufacture, use or sell any product, process or design, patented or otherwise, that may in any way be related to or disclosed by said drawings, specifications, or other data.

MATERIAL	SEE NOTE
REFERENCE	EAR #964688-0 AND
CONFIGURATION LEVEL:	<input type="checkbox"/> <input type="checkbox"/> <input type="checkbox"/>
FINISH	

DRAWN	I.XU	DATE	22-Aug-11
ENGINEER	B. GLEISSNER	DATE	23-Jul-96
APPROVED	S.HSIEH	DATE	24-Aug-11
CAD FILE			

TITLE	MICROMATE PLUG, CRIMP TYPE FOR RG-178 CABLE
SCALE:	15.0:1.0
SHEET	2 OF 2
DWG SIZE	B
REV	F

Amphenol RF	Danbury CT USA, Tainan, Taiwan, Shenzhen, China www.amphenolrf.com
DRAWING NO.	908-41200-X
ITEM NO.	908-41200-X
PART NO.	908-41200-X