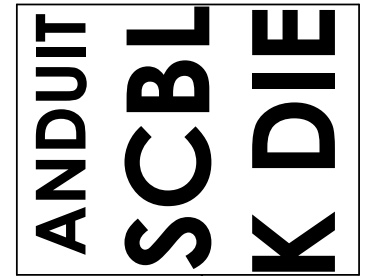


THIS COPY IS PROVIDED ON A RESTRICTED BASIS AND IS NOT TO BE USED IN ANY WAY DETRIMENTAL TO THE INTERESTS OF PANDUIT CORP.

Material	High Conductivity Seamless Copper Tube
Plating	Electro-Tin
Wire Type	Stranded Copper; Class B: Compact, Compressed or Concentric, Class C: Concentric
Wire Strip Length	7/8 in.
UL Listed Wire Connector	Yes, for applications up to 35kv. Consult cable manufacturer for voltage stress relief instructions with applications greater than 2000 volts.
UL Temperature Rating	90° C
C.S.A Certified Wire Connector	Yes
Panduit Color Code on Barrel	BLACK
Panduit Die Index No. on Barrel	P45

WIRE SIZE/COMBINATIONS		
(6) #8 str	(1) 1/0 str w/ (2) #10 str	(1) 1/0 str w/ (3) #10 str
(1) #2 str w/ (1) #4 str	(3) #6 str w/ (3) #8 str	(1) 1/0 str w/ (2) #8 str
(2) #4 str w/ (1) #6 str	(5) #6 str	(1) 2/0 str w/ (1) #12 str
(1) #1 str w/ (1) #6 str	(1) 1/0 str w/ (1) #6 str	(1) 2/0 str w/ (1) #10 str
(1) 1/0 str w/ (1) #10 str	(2) #4 str w/ (3) #8 str	(1) #2 str w/ (3) #6 str
(1) #4 str w/ (3) #6 str	(1) #1 str w/ (3) #8 str	(1) 2/0 str w/ (2) #12 str
(1) 1/0 str w/ (1) #8 str	(2) #4 str w/ (2) #6 str	(1) 2/0 str w/ (3) #12 str
(3) #4 str	(1) #1 str w/ (2) #6 str	(1) 1/0 str w/ (3) #8 str



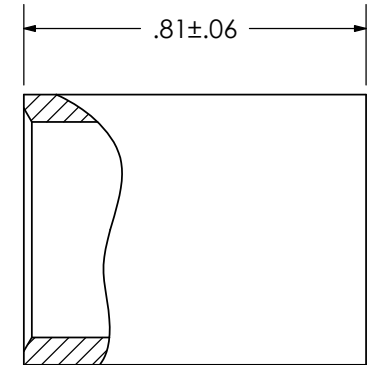
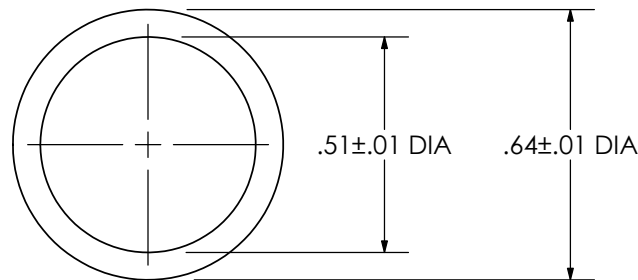
Color coded barrel markings



CERTIFIED



LISTED Wire Connector



REV	DATE	BY	CHK	DESCRIPTION	ECN
01	4/07	JHNU	TLCO	REVISED BARREL MARKING	PC00728

PANDUIT CORP. TINLEY PARK, ILLINOIS

PSCBLK-Q
Parallel Splice

SCALE N/A

DRAWING NO / CAD FILE

PSCBLK-CUST