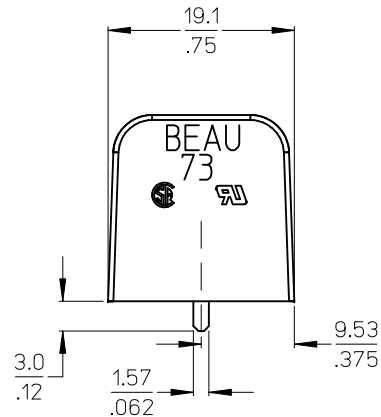
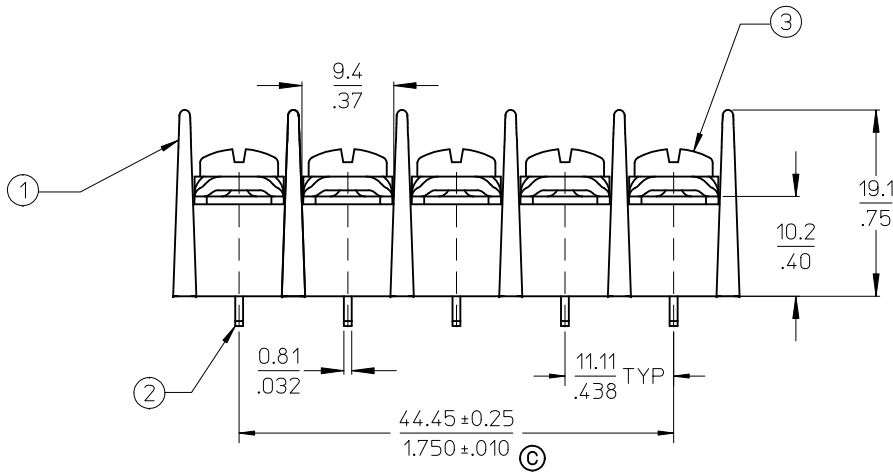


AUXILIARY VIEW
SCALE 1:1



NOTES:

- 1. MATERIAL: SEE TABLE.
- 2. FINISHES: SEE TABLE.
- 3. WIRE RANGE WITH #8-32 OVERSIZE SCREW IS 10-22 AWG.
- 4. ROHS COMPLIANT.

3	5	SCREW #8-32X.250 PAN PHSL -50	STEEL	ZN, CLEAR CHROMATE
2	5	TERMINAL 125 PC 8-32	BRASS	TIN PLATE
1	1	SR BTS CB M0 C	POLYESTER (PBT)	BLACK
ITEM	QTY	DESCRIPTION	MATERIAL	FINISH

UPDATE TOLERANCE
EC NO: WNA2010-0588
DRAWN: ENCINAS 2010/03/18
CHKD: C. YORK 2008/12/11
APPR: JMACNEIL 2010/03/30

QUALITY SYMBOLS
▽=0
▽=0

GENERAL TOLERANCES (UNLESS SPECIFIED)	
PLACES	TOLERANCE
4 PLACES	± ---
3 PLACES	± ---
2 PLACES	± 0.13
1 PLACE	± 0.3
ANGULAR ± 2 °	
DRAFT WHERE APPLICABLE MUST REMAIN WITHIN DIMENSIONS	

DIMENSION STYLE
MM/IN

DRAWN BY J. ENCINAS DATE 2008/12/09
CHECKED BY C. YORK DATE 2008/12/11
APPROVED BY JMACNEIL DATE 2010/03/29

MATERIAL NO. 387390612

SCALE 2:1
DESIGN UNITS INCH
THIRD ANGLE PROJECTION

TITLE
11.11MM [.438] SR BTS, NO MTG, PC 5 ASSY OVERSIZE SCREW, #8-32

MOLEX INCORPORATED

DOCUMENT NO. SD-38739-020

SHEET NO. 1 OF 1

THIS DRAWING CONTAINS INFORMATION THAT IS PROPRIETARY TO MOLEX INCORPORATED AND SHOULD NOT BE USED WITHOUT WRITTEN PERMISSION