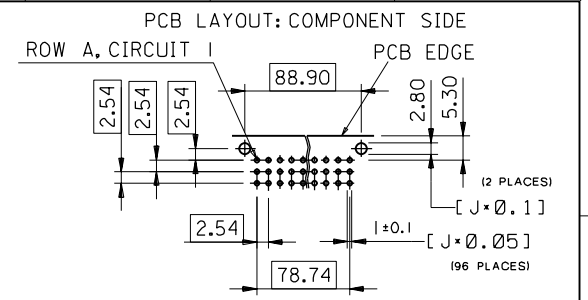
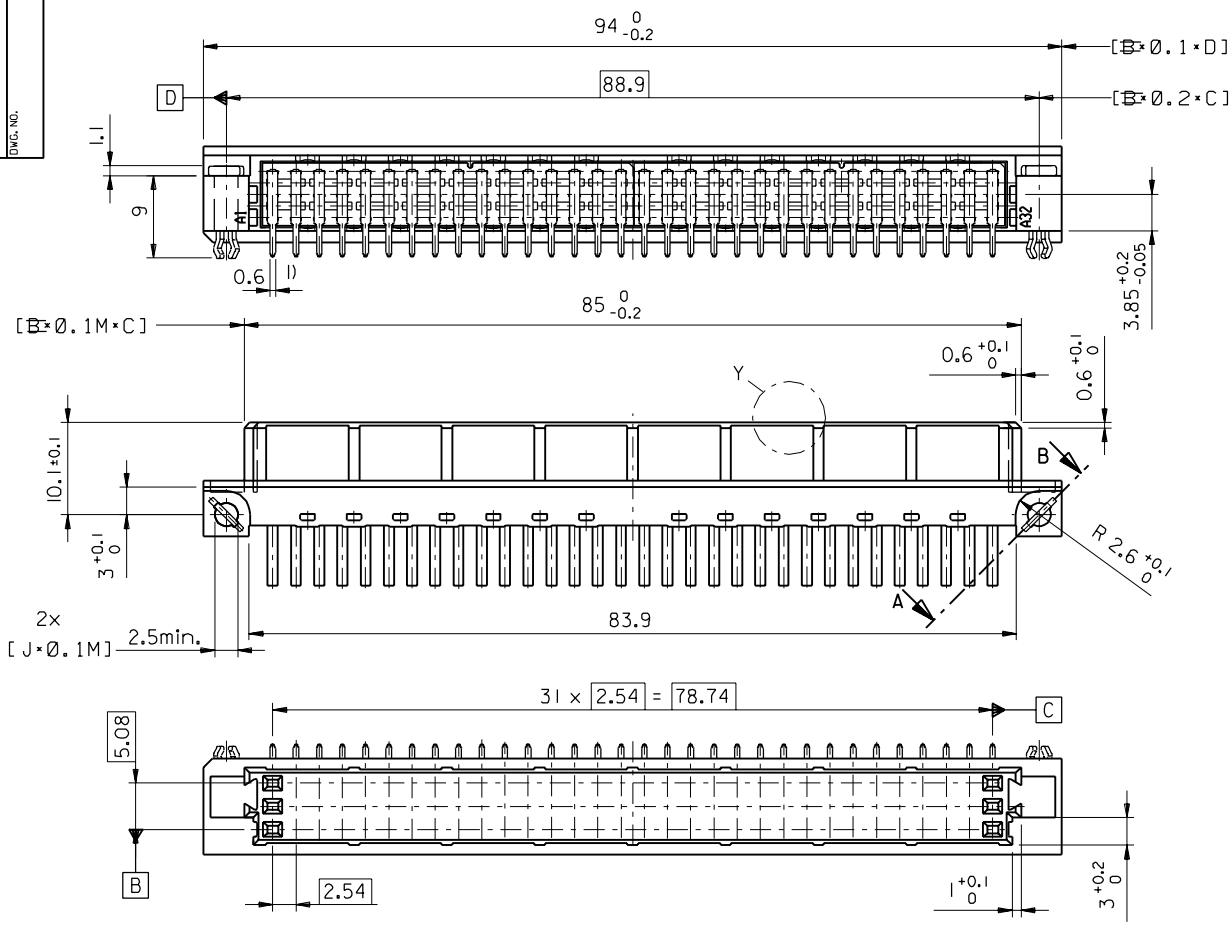
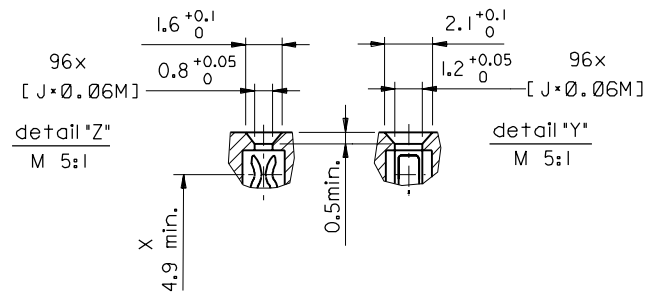
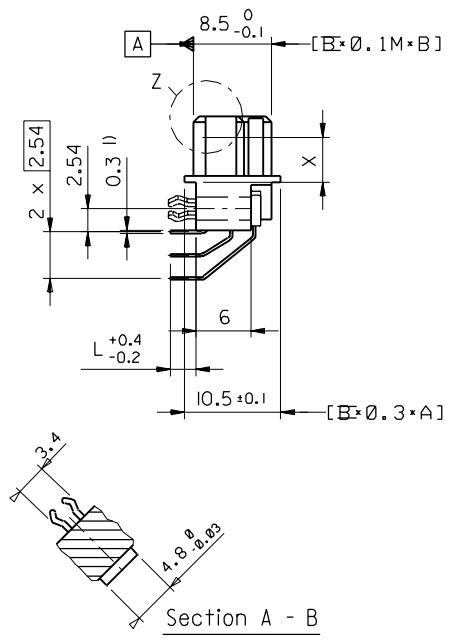


PART NO.  
DWG. NO.



1) tails to fit in PC-board layout



FIRST ANGLE PROJECTION

DRWG BY	KN
CHK'D BY	Ca
APP'D BY	JB
SCALE	2:1

UNLESS OTHERWISE SPECIFIED TOLERANCES: ANGULAR ±2°  
INCH METRIC

3 PLACE ±	±
2 PLACE ±	±
1 PLACE ±	±

DRAFT WHERE APPLICABLE MUST REMAIN WITHIN DIMENSIONS

DESIGN DIMENSION	<input checked="" type="checkbox"/> MM
	<input type="checkbox"/> IN.
EQUIVALENT DIMENSION	<input type="checkbox"/> MM
	<input type="checkbox"/> IN.

IF TWO DIMENSIONS ARE SHOWN THE UPPER IS THE DESIGN DIMENSION, LOWER IS SECONDARY

2	B1
SH.	REV.
REVISIONS	
ECN MG1998-2586 hole pattern/L+0.4-0.2 97-09-15 KN	
FOR PREVIOUS REVISIONS SEE MRL LIST	
L/TR	
CAD/CAM PROJECT NAME 85052000 611	
THIS DRAWING CONTAINS INFORMATION THAT IS PROPRIETARY TO MOLEX INC. & SHOULD NOT BE USED WITHOUT WRITTEN PERMISSION	
TITLE 96 pos. female connector DIN 41612 style R + clip Dimensions	
MOLEX EUROPE	
SHEET NO. DATE 1 OF 2 96/04/25	
PART NO. DWG NO. SDA-85052-0001	
SIZE B	

VIEW ON MATING SIDE

C  
 B  
 A

N  
 S  
 T

- A = 32 CONTACTS L-3,4
- B = 32 CONTACTS L-3,4
- C = 32 CONTACTS L-3,4

S = 96 TOTAL NUMBER OF CONTACTS

Marking	Standard
Performance level	G2/0 = Contact area level2 / Termination tin
Flux proof	yes
Fixing clip	no
Dimensions	SDA-85052-0001 sht.1
Technical Data	PS-85052-0001

C	G2/0	c1-32
B	G2/0	b1-32
A	G2/0	a1-32
Contact symbol	Perform. level	Contact position number

first release see ECN No. 2154	REVISIONS	FOR PREVIOUS REVISIONS SEE MRI LIST
▷	LTR	

UNLESS OTHERWISE SPECIFIED TOLERANCES: ANGULAR ± 2° INCH METRIC	DRWG BY	CC	SIGN	CAD/CAM PROJECT NAME S8505200 S71	REVISE ONLY ON CAD SYSTEM	SH. REV.
	3 PLACE ± .	CHK'D BY	KN			
2 PLACE ± .	APP'D BY		SIGN	TITLE 96 pos. female connector acc. DIN 41612 style R contacts arrangement	SHEET NO. DATE 1 OF 1 96/06/13	SIZE A
1 PLACE ± .	SCALE					
DRAFT WHERE APPLICABLE MUST REMAIN WITHIN DIMENSIONS						
DESIGN DIMENSION	<input type="checkbox"/> MM <input type="checkbox"/> IN.					
EQUIVALENT DIMENSION	<input type="checkbox"/> MM <input type="checkbox"/> IN.					
IF TWO DIMENSIONS ARE SHOWN, THE UPPER IS THE DESIGN DIMENSION, LOWER IS SECONDARY						
PART NO.		85052-0074		DWG NO.		SDA-85052-0074

MOLEX® MOLEX EUROPE