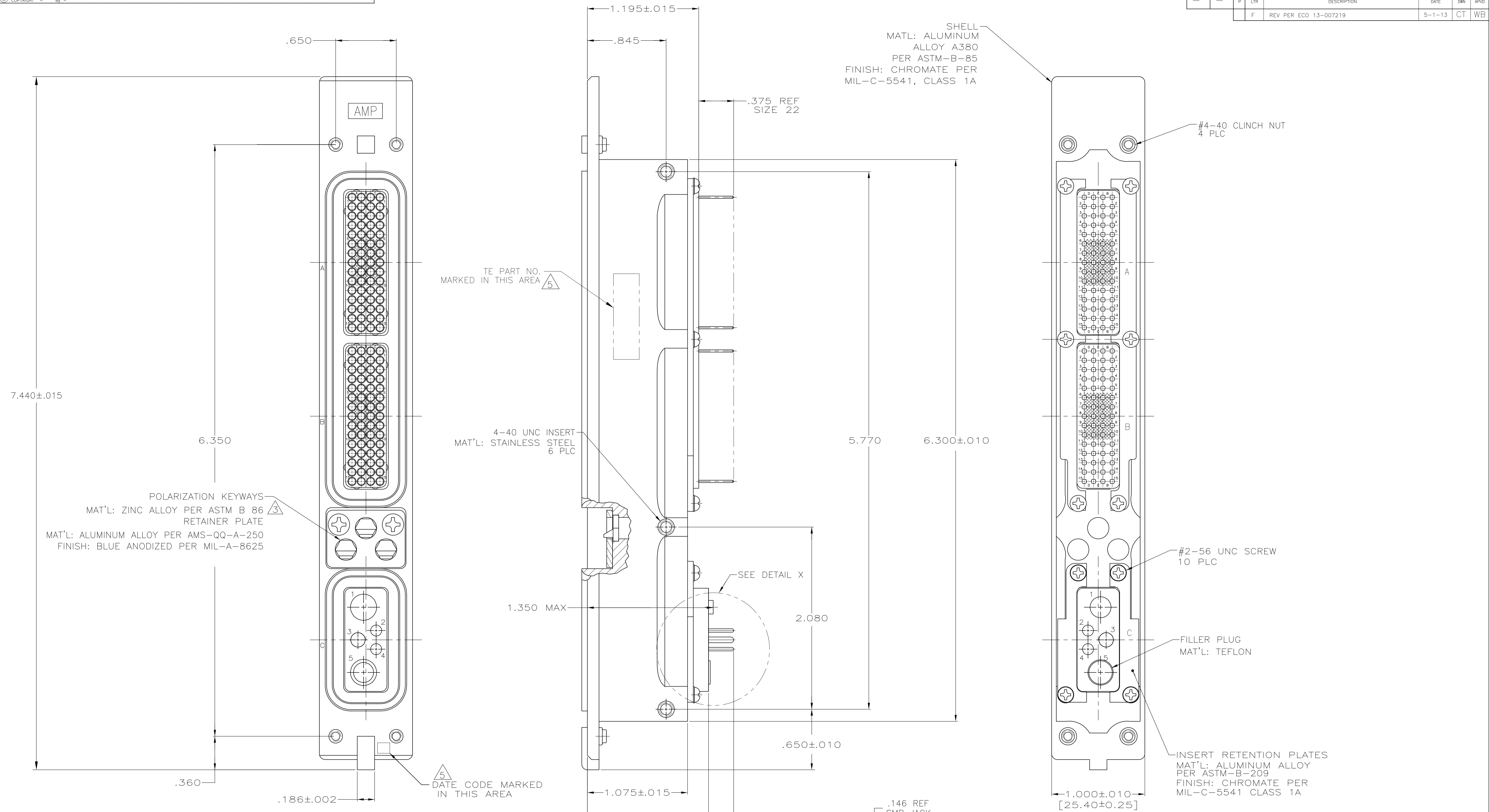
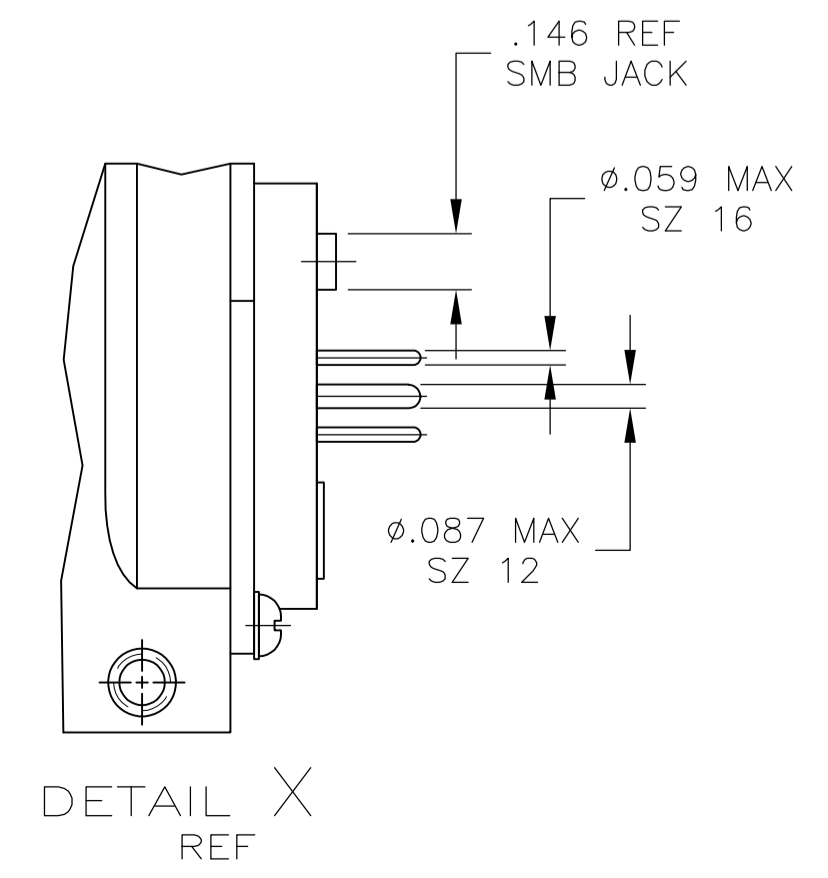


LOC		DIST		REVISIONS			
F	LTR	DESCRIPTION	DATE	DNW	APVD		
F		REV PER ECO 13-007219	5-1-13	CT	WB		



- CONNECTOR DIMENSIONS ARE PER ARINC 600 SPECIFICATION
- FOLLOWING CONTACTS ARE INCLUDED AND LOADED:
 SIZE 22 SOCKET: AMP P/N 1-211431-4; QTY: 120
 SIZE 16 PIN (POSTED): 1663128-6; QTY: 2
 SIZE 12 PIN (POSTED): 1663129-6; QTY: 1
 SIZE 5 FILLER PLUG: 1663132-1; QTY: 1
 SIZE 5 SMB: P/N 1663389-2; QTY: 1
 ALL SOLDER POSTS ARE SOLDER DIPPED.
- KEYING SHOWN IN POSITION "01" FOR REFERENCE ONLY. SEE TABLE FOR KEYING POSITION. FOR POSITION "00" KEYING SHIPPED UNASSEMBLED.
- CONTACTS NOT SHOWN IN FRONT AND REAR VIEWS FOR CLARITY.
- DATE CODE MAY BE LOCATED UNDER PART NUMBER.



"10"	1757056-1
KEYING POSITION	PART NUMBER

THIS DRAWING IS A CONTROLLED DOCUMENT.		DIN C.C.THOMAS 3-2-04	TE Connectivity	
DIMENSIONS: INCHES		CHK S. GLATFELTER 3-2-04	NAME	
TOLERANCES UNLESS OTHERWISE SPECIFIED:		APVD S. GLATFELTER 3-2-04	PRODUCT SPEC	
0 PLC ± -		APPLICATION SPEC		
1 PLC ± -		WEIGHT		
2 PLC ± -		SIZE		
3 PLC ± .005		CAGE CODE		
4 PLC ± -		DRAWING NO		
ANGLES ± -		RESTRICTED TO		
FINISH SEE CALLOUTS		A1 00779 1757056		
MATERIAL SEE CALLOUTS		CUSTOMER DRAWING		
		SCALE 2:1 SHEET 1 OF 1 REV F		