

3M™ D Sub Plug 50 Position – 8250 Series



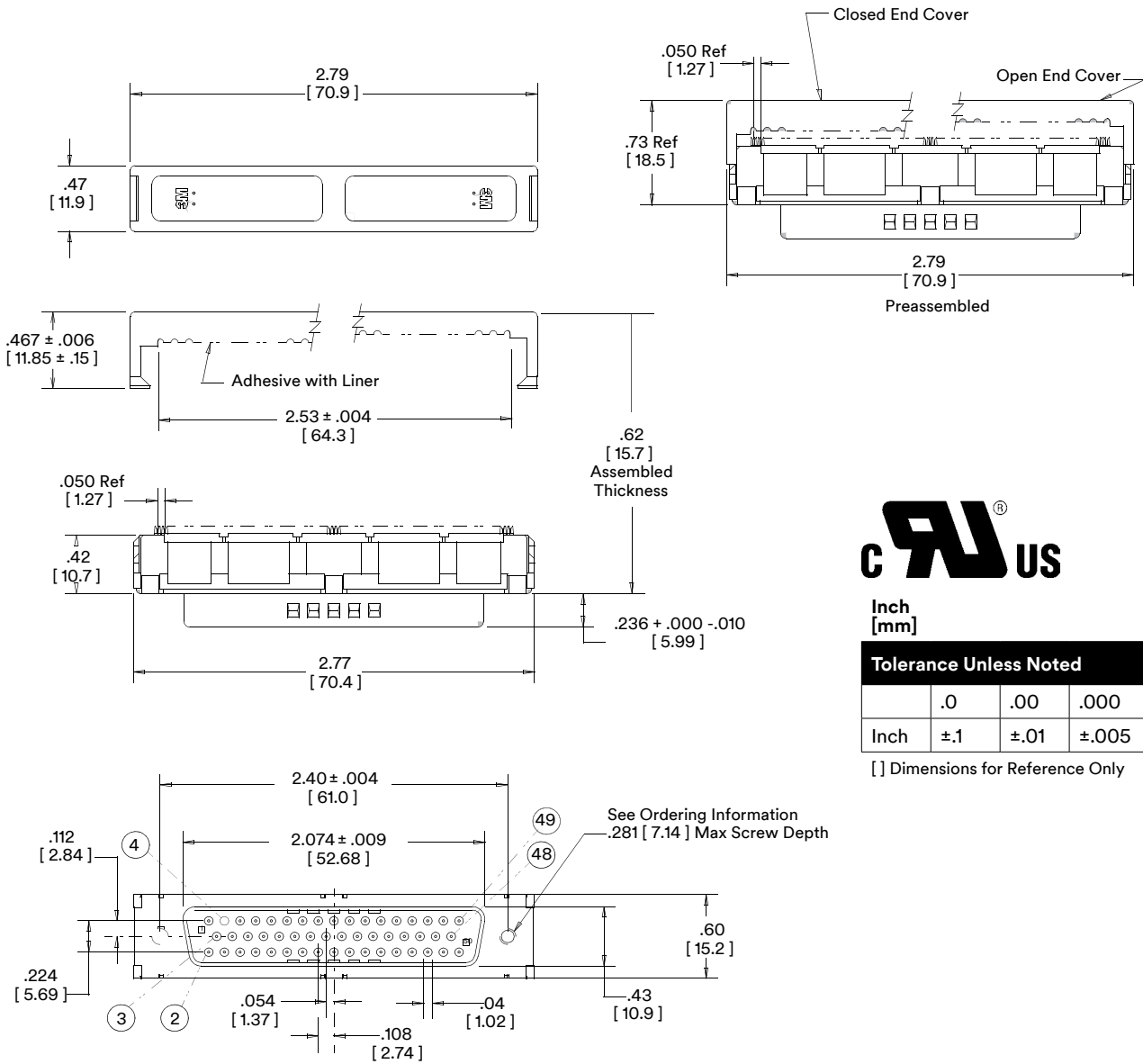
- IDC compatible
- Dimples aid in EMI/ESD protection
- Lower insertion/withdrawal force than other 50 position products
- Available in either open or closed end cover
- Mounting options include #4-40 UNC or metric M2.5 threaded inserts
- Conforms to Intelligent Peripheral Interface (IPI) standard
- See Regulatory Information Appendix for chemical compliance information

Physical	
Insulation: Material Flammability Color	Glass Filled Polyester (PBT) UL 94V-0 Gray
Contact: Material	Copper Alloy
Plating: Underplating Wiping Area	100 μ" [2.54 μm] Nickel 30 μ" [0.76 μm] Gold
Shell: Material Plating	Steel Bright Nickel
Strain Relief Material	Stainless Steel - .020 [0.50] Thick
Wire Accommodation	26 and 28 AWG Solid or Stranded
Marking	3M Logo and Contact Position Numbers
Electrical	
Current Rating	1 A
Insulation Resistance	$> 1 \times 10^9 \Omega$ at 500 V _{DC}
Withstanding Voltage	1,000 V _{RMS} at Sea Level
Environmental	
Temperature Rating	-55°C to +105°C

UL File No.: E68080

3M™ D Sub Plug

50 Position – 8250 Series



Inch
[mm]

Tolerance Unless Noted			
	.0	.00	.000
Inch	±.1	±.01	±.005

[] Dimensions for Reference Only

Notes:

1. Circled Numbers represent cable conductor number. (xx)
2. Preassembled closed cover is on Pin #1 side.

Ordering Information

Connector
8250 - X00X

Cover Style:
6= Open Cover
7= Closed Cover

Mounting Style:
5 = 4-40 UNC
6 = M2.5

Strain Relief

(Order Separately)

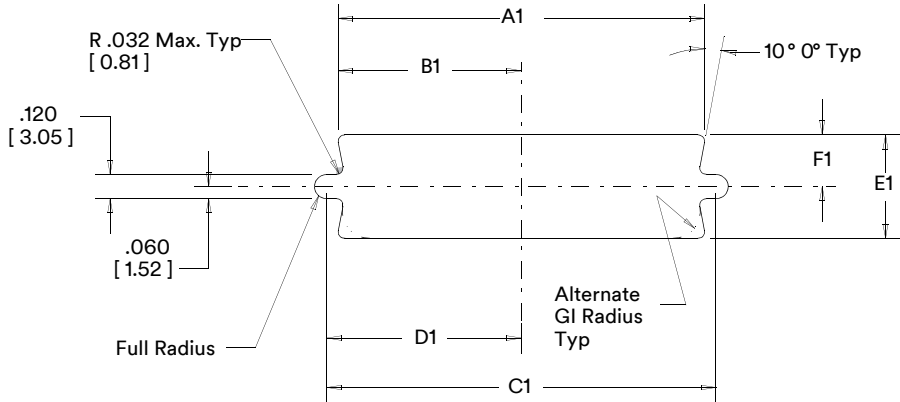
3448 - 8D50

3M™ D Sub Plug

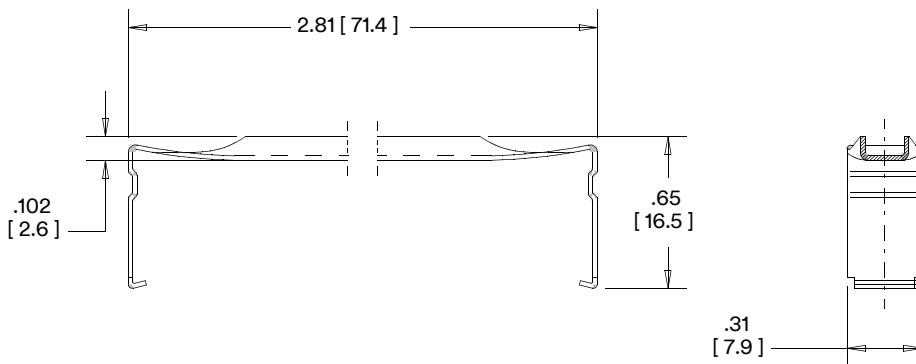
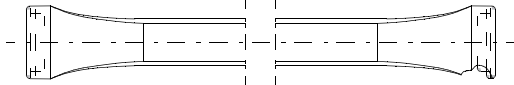
50 Position – 8250 Series

Mounting Method*	Contact Quantity	Dimensions						
		A1	B1	C1	D1	E1	F1	G1
Rear	50	2.218 [56.34]	1.109 [28.17]	2.40 [61.0]	1.20 [30.48]	0.525 [13.34]	0.26 [6.60]	0.120 [3.05]

*Rear Mount - The connector is mounted behind the panel.



Strain Relief
(Order Separately)
Material: Stainless Steel



Electronics Materials Solutions Division
6801 River Place Blvd.
Austin, TX 78726-9000

Phone 1-800-225-5373
Web 3M.com/electronics

3M is a trademark of 3M Company.
Please recycle.
©3M 2016. All rights reserved.
78-5100-0035-5

TS-0035-D
Sheet 3 of 3