

MATERIALS AND FINISHES

BODY, CAP BRASS
PLATED NICKEL

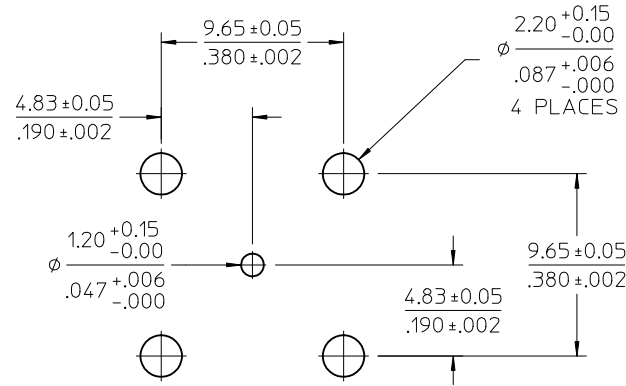
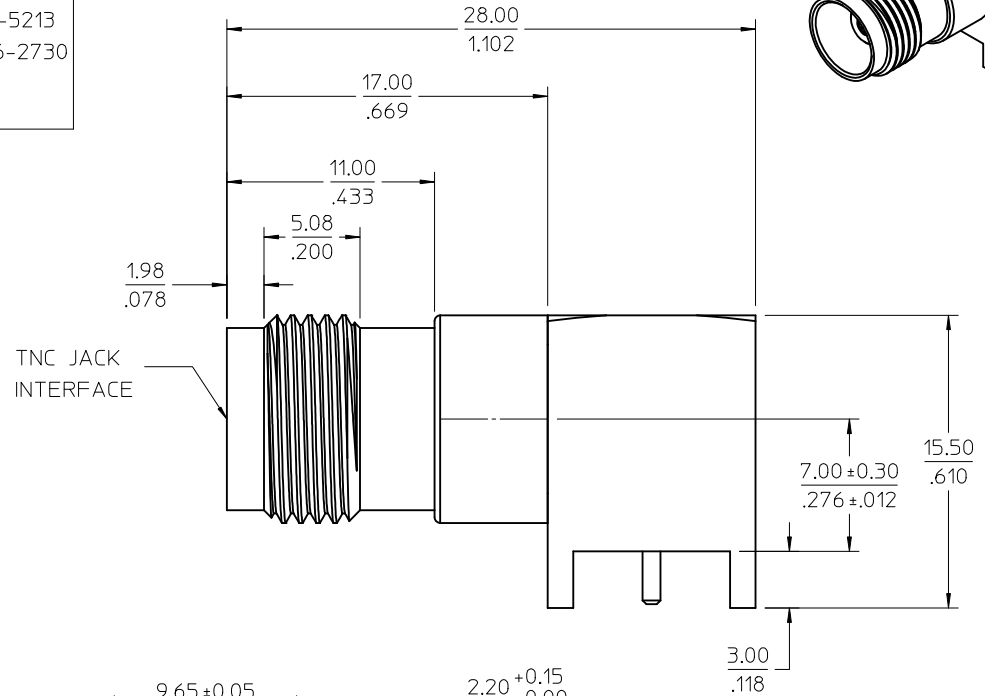
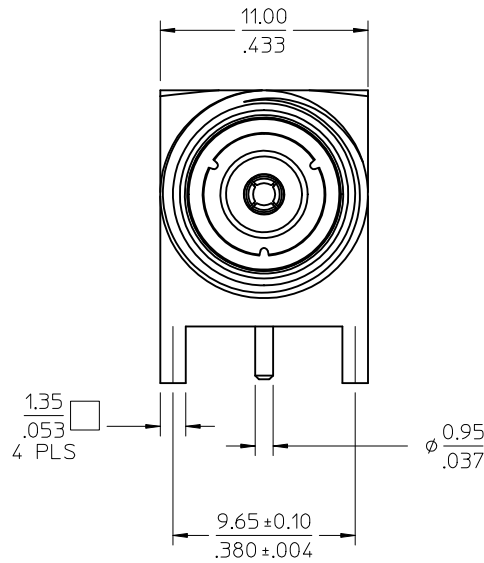
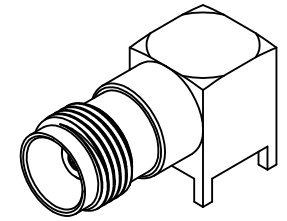
CENTER CONTACT PHOSPHOR BRONZE
PLATED GOLD

REAR CONTACT BRASS
PLATED GOLD

INSULATOR TEFLON

LABEL FORMAT FOR
73216-2730

PART NUMBER: 73204-5213
ORDER NUMBER: 73216-2730
MOLEX
DATE: YYWW



RECOMMENDED PCB LAYOUT

ORIGINAL DRAWN BY: IRIS WANG 1991/12/17

73216-2730	SINGLE BAG
73204-5213	TRAY OR BULK
PART NO.	PACKAGING

PS-89675-140	PRODUCT SPECIFICATION
MIL-STD-348A, FIG. 313.2	INTERFACE
SPECIFICATION	DESCRIPTION

CHG: ADD LABEL FORMAT	EC NO: URF2012-0380 2012/01/04 DRWN: BOMALLEY 2012/01/04 CHKD: AZR 2012/01/04 APPR: JWIENER 2012/01/04	QUALITY SYMBOLS ▽=0 ▽=0	GENERAL TOLERANCES (UNLESS SPECIFIED)		DIMENSION STYLE	SCALE	DESIGN UNITS	THIRD ANGLE PROJECTION	
			mm	INCH	MM/IN	METRIC	☉		
H2	DESCRIPTION	REV	4 PLACES	± ---	± ---	DRAWN BY	DATE	TITLE	
			3 PLACES	± ---	± ---	SSHAH	2011/04/25	TNC JACK RA PCB	
			2 PLACES	± ---	± ---	CHECKED BY	DATE	50 OHMS RECEPTACLE	
			1 PLACE	± ---	± ---	DENG	1991/12/17	EW-4692 TNC-J/RA/PCB	
			ANGULAR ± 2 °		APPROVED BY	DATE	MOLEX INCORPORATED		
			DRAFT WHERE APPLICABLE MUST REMAIN WITHIN DIMENSIONS		JWIENER	2011/04/29	DOCUMENT NO.	SHEET NO.	
					SEE TABLE		SD-73204-5213	1 OF 1	
			THIS DRAWING CONTAINS INFORMATION THAT IS PROPRIETARY TO MOLEX INCORPORATED AND SHOULD NOT BE USED WITHOUT WRITTEN PERMISSION						

MATERIALS AND FINISHES

SEE SD-73204-5213

P/N: 73216-2730

1 PIECE 73204-5213 PLACED IN A SINGLE BAG

LABEL FORMAT FOR
73216-2730

PART NUMBER: 73204-5213
ORDER NUMBER: 73216-2730
MOLEX
DATE: YYWW

73216-2730	ONE PC 73204-5213 IN BAG
73204-5213	TRAY
PART NO.	PACKAGING

PS-89675-140	PRODUCT SPECIFICATION
MIL-STD-348A, FIG. 313.2	INTERFACE
SPECIFICATION	DESCRIPTION

CHG: ADD LABEL FORMAT EC NO: URF2012-0380 DRWINBOMALLEY 2012/01/04 CHKD:AZR 2012/01/04 APPR: JWIENER 2012/01/04 A1	QUALITY SYMBOLS ▼=0 ▽=0	GENERAL TOLERANCES (UNLESS SPECIFIED)	DIMENSION STYLE MM/IN	SCALE METRIC	DESIGN UNITS METRIC	THIRD ANGLE PROJECTION																
		<table border="1"> <tr> <th></th> <th>mm</th> <th>INCH</th> </tr> <tr> <td>4 PLACES</td> <td>± ---</td> <td>± ---</td> </tr> <tr> <td>3 PLACES</td> <td>± ---</td> <td>± ---</td> </tr> <tr> <td>2 PLACES</td> <td>± ---</td> <td>± ---</td> </tr> <tr> <td>1 PLACE</td> <td>± ---</td> <td>± ---</td> </tr> </table>		mm	INCH	4 PLACES	± ---	± ---	3 PLACES	± ---	± ---	2 PLACES	± ---	± ---	1 PLACE	± ---	± ---	DRAWN BY SSHAH	DATE 2011/04/29	TITLE TNC JACK RA PCB 50 OHMS RECEPTACLE EWR-4692 TNC-J/RA/PCB		
			mm	INCH																		
		4 PLACES	± ---	± ---																		
3 PLACES	± ---	± ---																				
2 PLACES	± ---	± ---																				
1 PLACE	± ---	± ---																				
ANGULAR ± 2 °	CHECKED BY AROBERTSON	DATE 2011/04/29	MOLEX INCORPORATED																			
DRAFT WHERE APPLICABLE MUST REMAIN WITHIN DIMENSIONS	APPROVED BY JWIENER	DATE 2011/04/29	MATERIAL NO. SEE TABLE	DOCUMENT NO. SD-73216-273	SHEET NO. 1 OF 1	THIS DRAWING CONTAINS INFORMATION THAT IS PROPRIETARY TO MOLEX INCORPORATED AND SHOULD NOT BE USED WITHOUT WRITTEN PERMISSION																