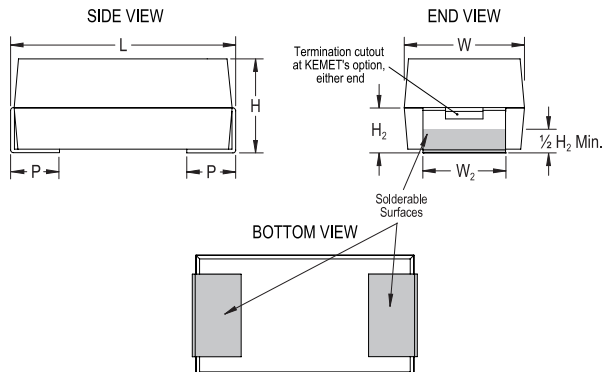


KEMET Part Number: CWR11MH475JC
(T492D475J035CH)



T492_CWR11, Tantalum, MnO2 Tantalum, Military/High Reliability, 4.7 uF, 5%, 35 VDC, SMD, MnO2, Molded, Military Equivalent, C (0.01%/1000 Hrs), 1.5 Ohms, 7343, Height Max = 3.1mm



Dimensions	
Footprint	7343
L	7.3mm +/-0.3mm
W	4.3mm +/-0.3mm
H	2.8mm +/-0.3mm
T	0.13mm REF
S	1.3mm +/-0.3mm
F	2.4mm +/-0.1mm
A	3.8mm MIN
B	0.5mm +/-0.15mm
E	3.5mm REF
G	3.5mm REF
K	1mm MIN
P	0.5mm MIN
R	1mm REF
X	0.1mm +/-0.1mm

Packaging Specifications	
Weight:	412.33 mg
Packaging:	T&R, 178mm
Packaging Quantity:	2500

General Information	
Supplier:	KEMET
Series:	T492_CWR11
Dielectric:	MnO2 Tantalum
Style:	SMD Chip
Description:	SMD, MnO2, Molded, Military Equivalent
RoHS:	No
Termination:	Solder Coated
Qualifications:	MIL-PRF-55365/8, CWR11 Style
Notes:	Note: When Option C Is Selected For Lead Material, Add An Additional 0.38mm To The Tolerances For "L", "W", "H", "K", "F" And "S". P And R Dimensions Represents The Minimum Solderable Area Of The Termination Surface Entirely Below Cutout (If One Is Present)

Specifications	
Capacitance:	4.7 uF
Capacitance Tolerance:	5%
Voltage DC:	35 VDC (85C), 23.45 VDC (125C)
Temperature Range:	-55/+125C
Rated Temperature:	85C
Dissipation Factor:	6.00%
Failure Rate:	C (0.01%/1000 Hrs)
Resistance:	1.5 Ohms (100kHz)
Leakage Current:	1.6 uA (20C)
Testing and Reliability:	Standard Testing Only

Statements of suitability for certain applications are based on our knowledge of typical operating conditions for such applications, but are not intended to constitute - and we specifically disclaim - any warranty concerning suitability for a specific customer application or use. This Information is intended for use only by customers who have the requisite experience and capability to determine the correct products for their application. Any technical advice inferred from this Information or otherwise provided by us with reference to the use of our products is given gratis, and we assume no obligation or liability for the advice given or results obtained.

