

MATERIALS AND FINISHES:

PART NO. 73415-4680/73415-4681
73415-4682/73415-4683
73415-4685
BODY
BRASS
PLATED 50u" MIN COPPER UNDERCOAT
100~200u" NICKEL UNDERCOAT
2u" MIN GOLD PLATING

CENTER CONTACT
BRASS
PLATED 10u" GOLD

OUTER CONTACT
BERYLLIUM COPPER
PLATED 50u" MIN COPPER UNDERCOAT
100~200u" NICKEL UNDERCOAT
2u" MIN GOLD PLATING

INSULATOR
TEFLON

WITHSTAND 48HRS SALT SPRAY TEST

NOTE:

- PART NO.73415-4681 WITHOUT CONTACT PART
- 73415-4682 WITH CUSTOMER REQUEST PACKAGE
- PART NO.73415-4683/73415-4684
PACKAGE 500PCS BY BAG

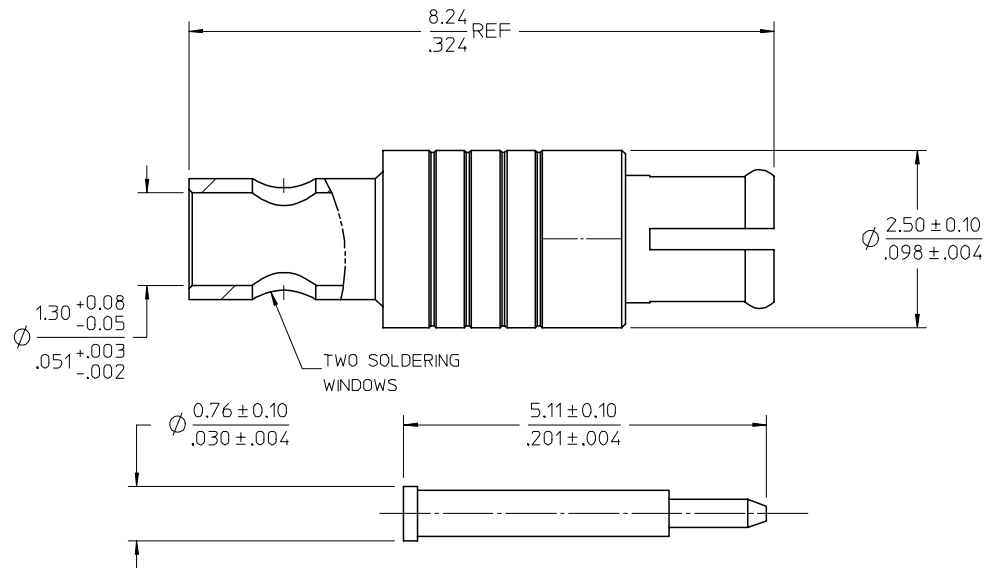
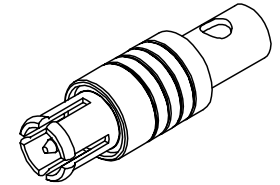
PART NO.73415-4684

BODY
BERYLLIUM COPPER
PLATED TRI METAL

CENTER CONTACT
BERYLLIUM COPPER
PLATED GOLD

OUTER CONTACT
BERYLLIUM COPPER
PLATED GOLD

INSULATOR
TEFLON



PS-73598-0220	PRODUCT SPECIFICATION
AS-73597-033	ASSEMBLY INSTRUCTION
SPECIFICATION	DESCRIPTION

73415-4687	NON-MAGNETIC	1 PIECE 73415-4684 PER BAG
73415-4686	GENERAL TYPE	1 PIECE 73415-4680 PER BAG
73415-4685	GENERAL TYPE	SPECIFIC LABEL ON OUTER BOX
73415-4684	NON-MAGNETIC	500pcs BY ONE BAG
73415-4683	GENERAL TYPE	500pcs BY ONE BAG
73415-4682	GENERAL TYPE	SEE NOTE 2
73415-4681	GENERAL TYPE	SEE NOTE 1
73415-4680	GENERAL TYPE	1000pcs BY ONE BAG
PART NO.	DESCRIPTION	PACKAGING

CHG: ADDED P/INS
73415-4686 & -4687.
EC NO: URF2007-0254
DRAWN: ARROBERTSON 2007/01/04
CHKD: 2007/01/04
APPR: JIM ENEER 2007/01/04

QUALITY SYMBOLS
▽=0
▽=0

DESCRIPTION
D2

GENERAL TOLERANCES (UNLESS SPECIFIED)

	mm	INCH
4 PLACES	± .005	± .0002
3 PLACES	± .004	± .00015
2 PLACES	± .003	± .0001
1 PLACE	± .002	± .00005

ANGULAR ± 5 °

DRAFT WHERE APPLICABLE MUST REMAIN WITHIN DIMENSIONS

DIMENSION STYLE: MM/IN

SCALE: 1:1

DESIGN UNITS: METRIC

THIRD ANGLE PROJECTION

TITLE: SSMCX PLUG, 50 OHM PLUG CABLE TYPE SSMCX-PC

MATERIAL NO.: SEE TABLE

DOCUMENT NO.: SD-73415-468

SHEET NO.: 1 OF 1

THIS DRAWING CONTAINS INFORMATION THAT IS PROPRIETARY TO MOLEX INCORPORATED AND SHOULD NOT BE USED WITHOUT WRITTEN PERMISSION