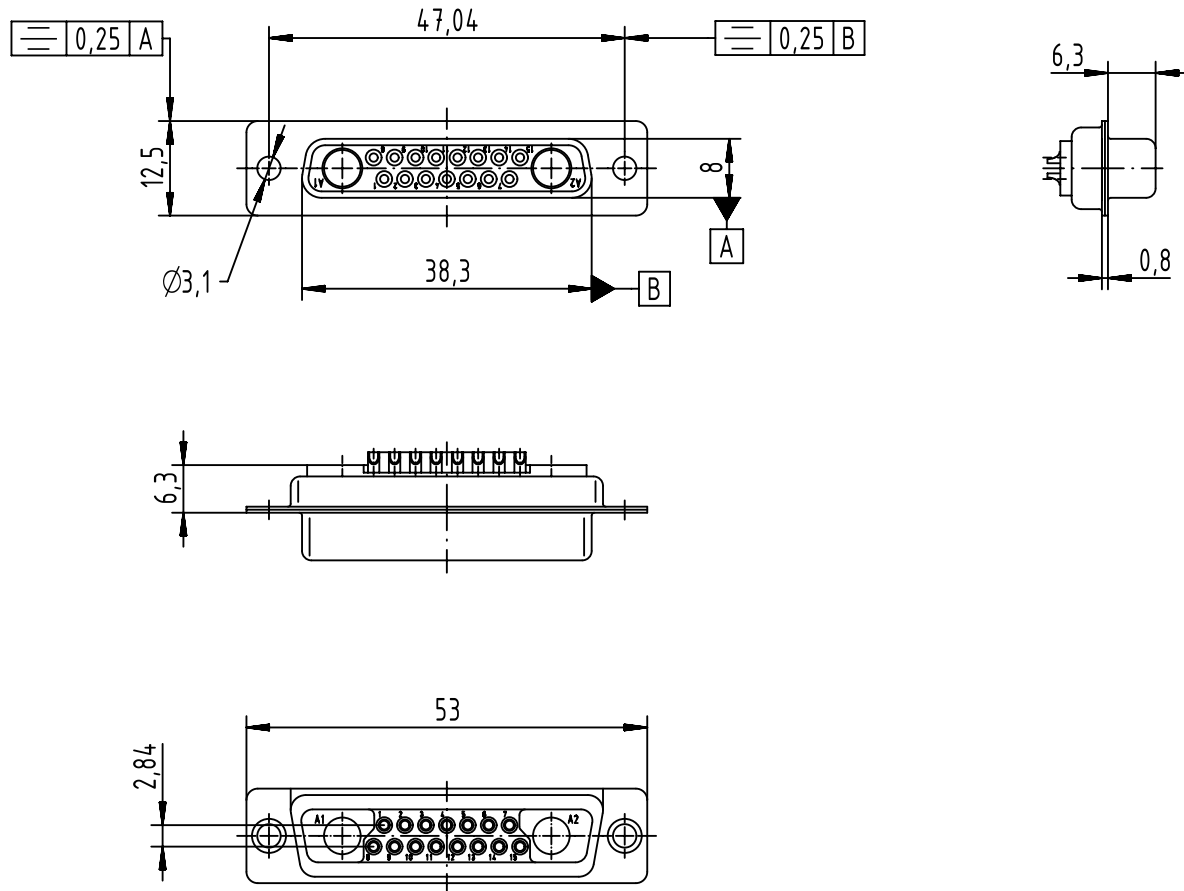


A

B

C

D



Solder bucket termination for AWG 20

09 69 301 7172	PL3
09 69 301 5172	S4
Part number	Performance level

	All rights reserved Department EC PD - FR HARTING Electronics GmbH D-32339 Espelkamp	All Dimensions in mm Original Size DIN A4	Scale 1:1	Free size tol.	Ref. Sub.
		Created by DOUGE	Inspected by BAGDIKIAN	Standardisation KOHLER	Date 2013-05-30
Title D-Sub M 17W2 female straight					Doc-Key / ECM-Nr. 100540131/UGD/001/A 500000062563
Type TB		Number 0969301X172			Rev. A
					Page 1/1