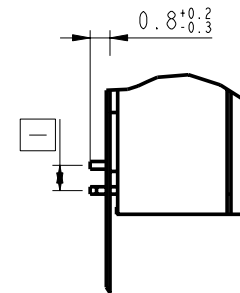
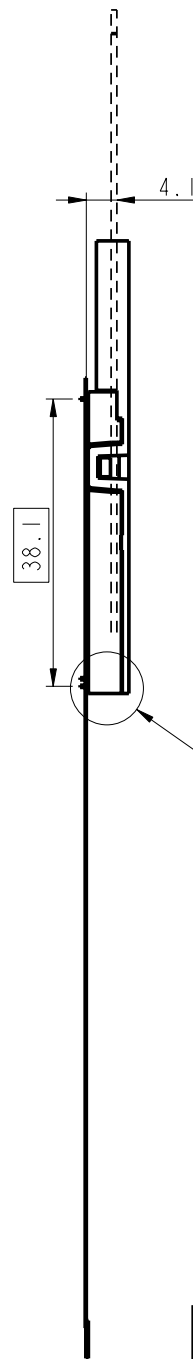
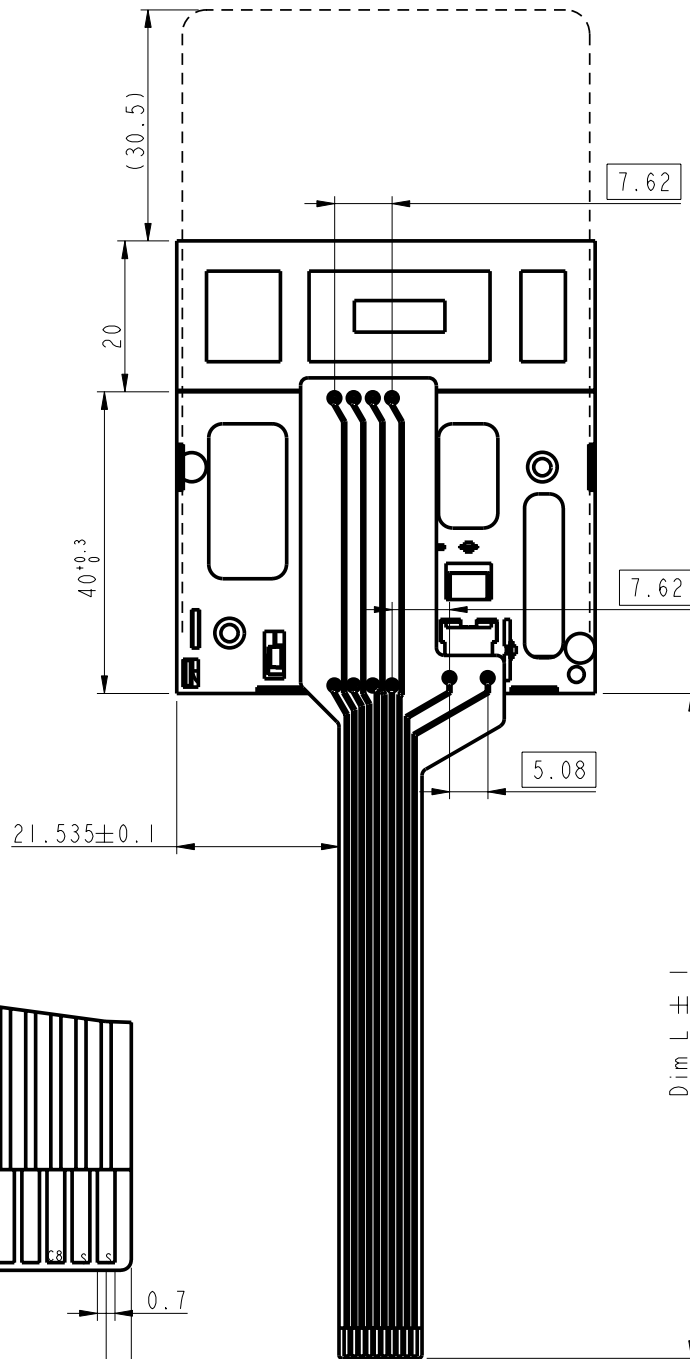
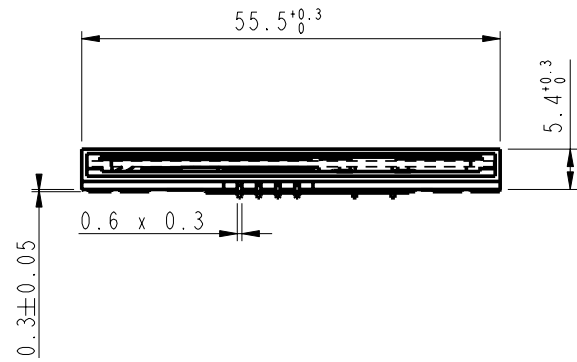
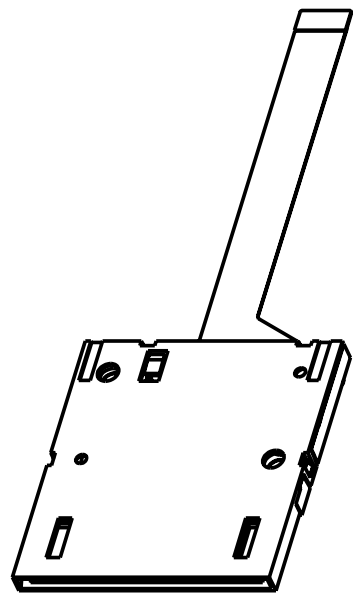


PART NUMBER	LEAD FREE VERSION	DIM L
7361E0525S05	7361E0525S05LF	90



DETAIL B
SCALE 5:1

GENERAL :
High cycle life duration smart card connector with landing type contacts mechanism. The landing type connector also provides the feature of recessed contacts when card is not inserted which protects them against vandalism.
Smart card for reference purposes only.

ELECTRICAL PROPERTIES:
Insulation resistance : > 1000MΩ
Dielectric withstanding voltage : >750 Vrms
Current carrying capacity : Min 10μA, Max 1A
Contact resistance : < 100mΩ

MECHANICAL PROPERTIES :
Operating force : Insertion : F < 10N
Withdrawal : 1 < F < 10N
Contact Normal force : 0.2 < F < 0.3 for 0.6mm of deflection
Durability : 200 000 mating cycles

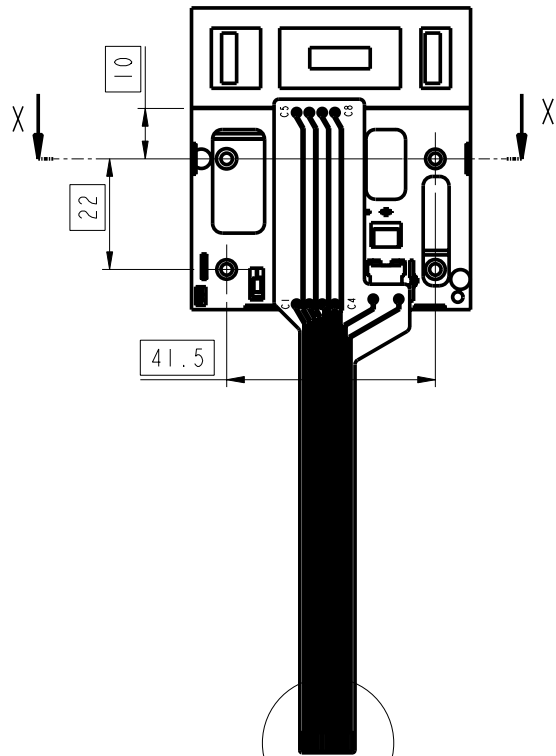
MATERIAL :
Head reader : Thermoplastic, Colour Grey, Rated UL94V0
Cover : Thermoplastic, Colour Black, Rated UL94V0
Contacts : Copper alloy,
Plating : Gold over Ni or equivalent on contact area
SnPb over Ni on solder tails (for leaded version)
Matte tin over Ni on solder tails (for lead free version)

ENVIRONMENT :
Operating temperature : -40°C / +85°C
Climatic conditions : UTE 93-421

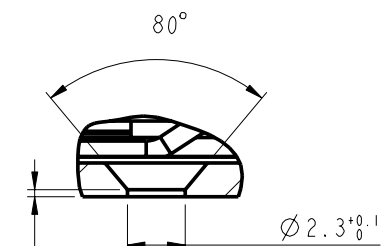
PACKAGING :
Plastic cavity tray

LEAD FREE VERSION:

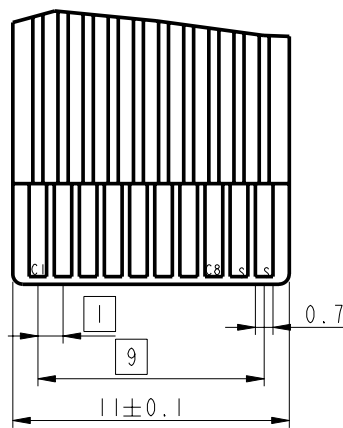
"This product meets European Union Directives and other country regulations as described in GS-22-008"



SEE DETAIL A



SECTION X-X
SCALE 5:1



DETAIL A
SCALE 5:1

General Tolerances	
0 to 10mm:	±0.1mm
10 to 30mm:	±0.15mm
30 to 60mm:	±0.2mm
60 and more:	±0.3mm

rev	ecn no	dr	date
A	F20307	DLE	2002/04/29
B	F20341	DLE	2002/06/04
C	LS3088	JTA	2003/11/28
D	105-0176	NT	2005/10/01
E	106-0078	DTK	2006/06/19
F	109-0013	SSC	2009/01/24

www.fciconnect.com		surface --	tolerance std	projection	mm
		ISO 1302	ISO 406 ISO 1101	⊕	←
		TOLERANCES UNLESS OTHERWISE SPECIFIED			
		ANGULAR	0.x ±	size	Scale
		LINEAR	0.xx ±	A2	3:2
		0° ±	0.xxx ±	ECN	109-0013
		Product family MOBILE I/O		Spec ref	
Dr D LEGRAND 2002/04/29		E05 FLEX		Rev. F	
Eng F TISSERAND 2002/04/29		SMART CARD READER VXX 27787		VJW54378	
Chr S.S.CHERIAN 2009/01/24		catalog no		See Table	
Appr S.S.CHERIAN 2009/01/24		dwg no		-	
		sheet 1 of 1			