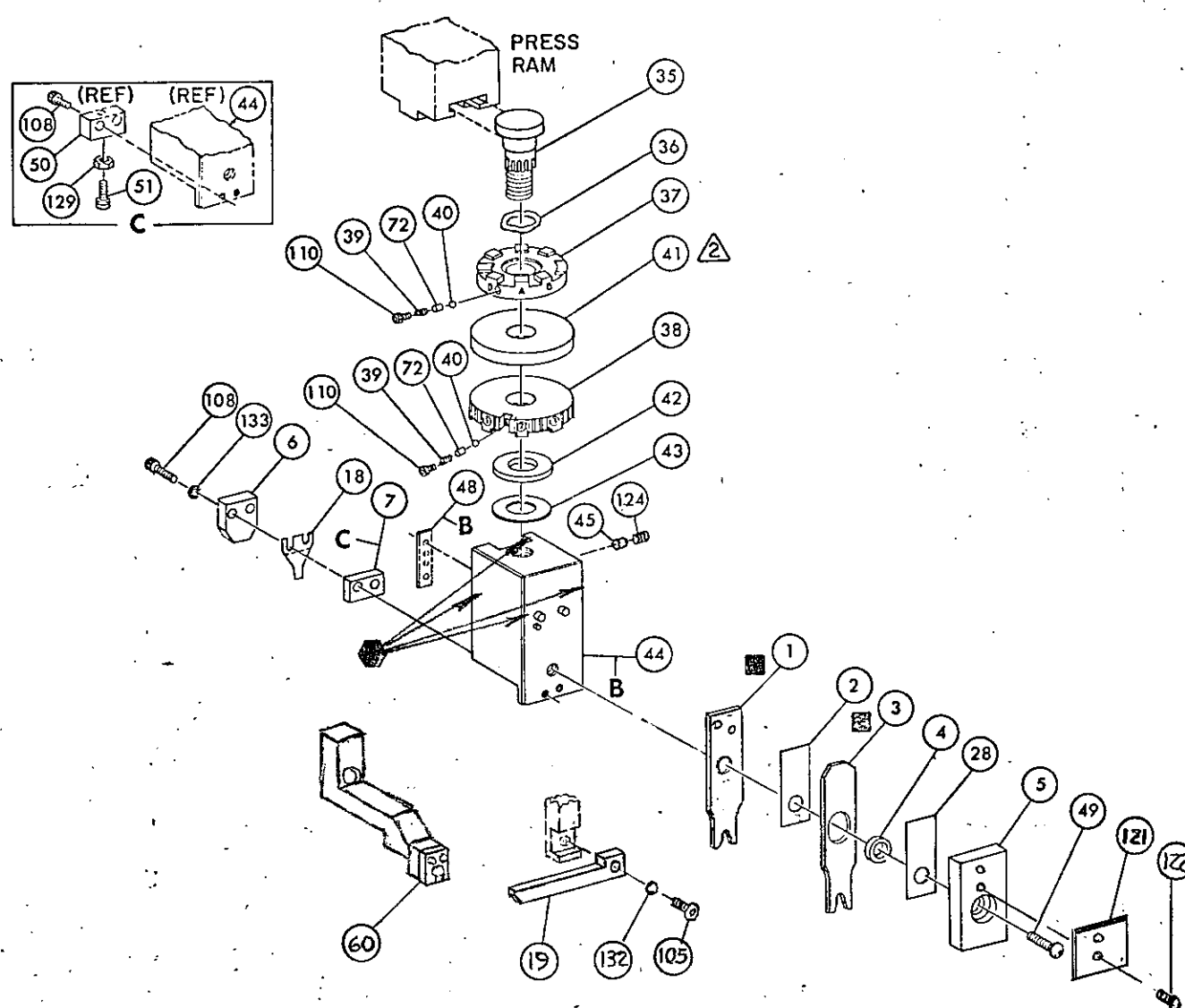
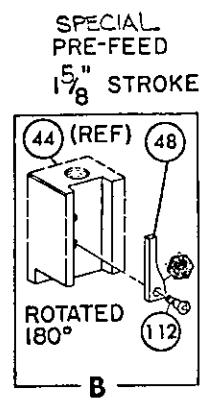


THIS DRAWING IS A CONTROLLED DOCUMENT FOR AMP INC. IT IS SUBJECT TO CHANGE AND THE CONTROLLING ENGINEERING ORGANIZATION SHOULD BE CONTACTED FOR THE LATEST REVISION.

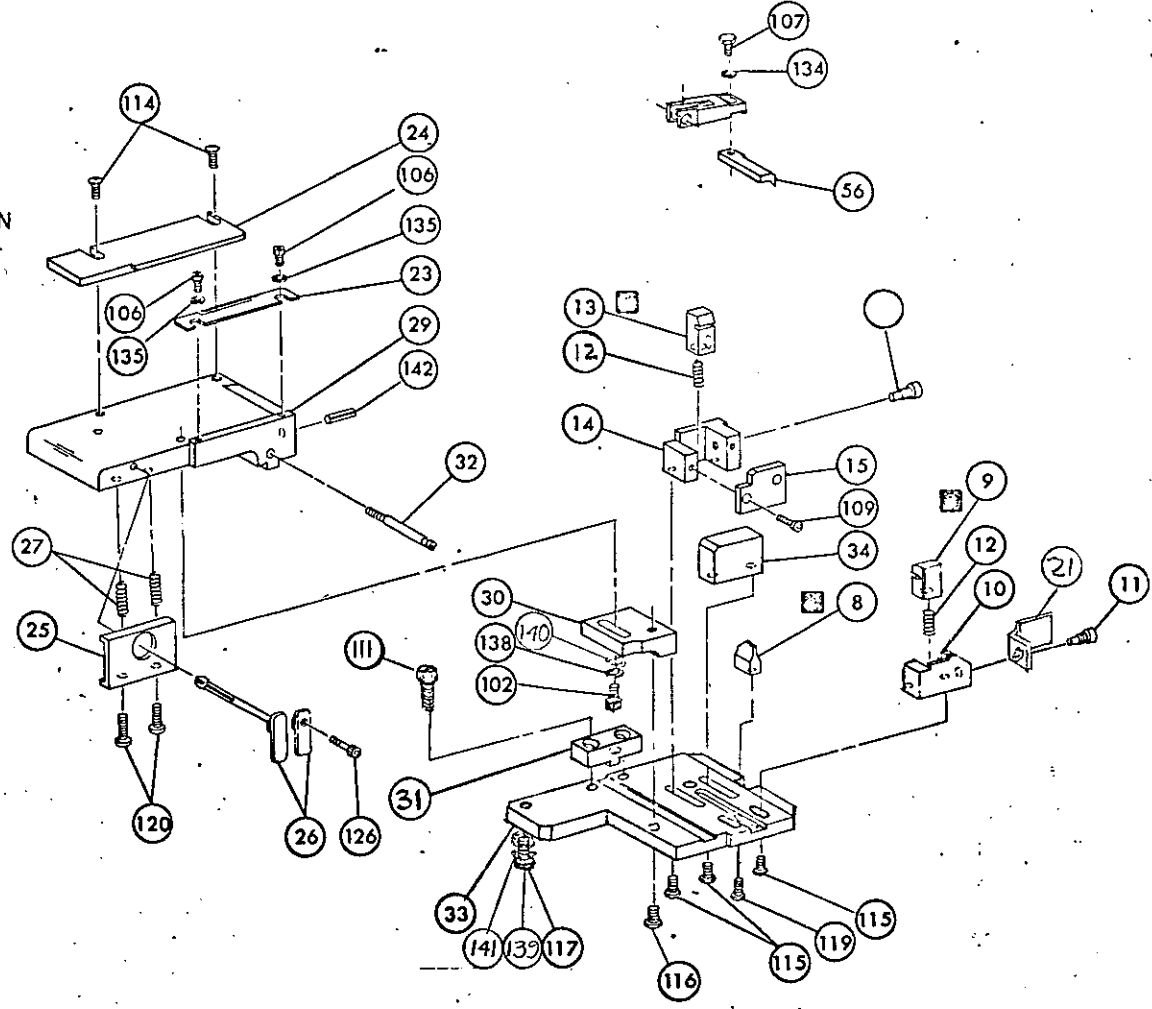


NOTES:

- 1- ONLY THE ITEMS WITH QUANTITIES SPECIFIED ON PARTS LIST ARE USED ON THIS APPLICATOR.
- △ USED IN PLACE OF ITEM 38 WHEN INSULATION CRIMP IS NOT USED.
- 3- FEED PIVOT - BOTTOM HOLE
- △ SEE REMARKS

KEY:

- RECOMMENDED SPARE PARTS
- GREASE WEEKLY



QTY	PART NO	DESCRIPTION	ITEM NO
1	4-21028-0	PIN, SLOT SPR (.093 DIA X .75) STR G PLATE	142
1	21899-2	WASHER, FLAT (NO 1) MOUNTING	141
1	21899-2	WASHER, FLAT (NO 1) S. G. ADJ BLOCK	140
1	21024-5	WASHER, LOCK (NO 10) MOUNTING	139
1	21024-5	WASHER, LOCK (NO 10) STRIP GUIDE ADJ BLOCK	138
2	21057-2	WASHER, LOCK (NO 4) FRONT STRIP GUIDE	135
REF	21024-4	WASHER, LOCK (NO 8) FEED FINGER	134
2	21024-4	WASHER, LOCK (NO 8) DEPRESSOR	133
REF	21024-4	WASHER, LOCK (NO 8) STRIPPER	132
1	21068-5	NUT, HEX MACH (6-32) HOLDDOWN	129
-	22353-8	SCR, SHLD. (1.87 DIA X .250 LG) DRAG LEVER	126
1	21009-2	SCR, SKT SET (1/4-20 X .25) (LOC-WEL) RAM	124
2	21017-2	SCR, DRIVE (# 2 X .188 LG)	122
1	819347-1	PLATE, I.D.	121
2	2-21002-9	SCR, BUT HD SKT CAP (10-32 X .75) DRAG	120
1	22733-8	SCR, BUT HD SKT CAP (8-32 X .38) (LOC-WEL) ANVIL	119
1	3-21000-8	SCR, SOC HD SKT CAP (10-32 X .88) MOUNTING	117
1	2-22733-1	SCR, BUT HD SKT CAP (10-32 X .50) SG ADJ BLOCK	116
4	2-22733-9	SCR, BUT HD SKT CAP (8-32 X .50) SHEAR	115
2	2-21022-2	SCR, BUT HD SKT CAP (8-32 X .50) R STRIP GUIDE	114
1	1-21002-7	SCR, BUT HD SKT CAP (6-32 X .50) CAM	112
2	2-21000-7	SCR, SKT HD CAP (8-32 X .50) SCR. BLOCK	111
2	23030-1	SCR, SKT HD CAP (6-32 X .25) (LOC-WEL) CP DISC	110
2	2-21000-7	SCR, SKT HD CAP (6-32 X .50) REAR SHEAR PLATE	109
REF	2-21002-1	SCR, BUT HD MACH (8-32 X .35) DEPRESSOR (REAR)	108
2	1-21000-3	SCR, SKT HD CAP (4-40 X .25) F STRIP GUIDE	106
REF	2-21002-1	SCR, BUT HD CAP (8-32 X .38) STRIPPER	105
1	3-22603-1	SCR, HEX HD CAP (10-32 X .38) SG ADJ BLOCK	102
2	463310-6	BLADE, STRIPPING #22	77
2	690603-1	SPRING, ASSIST	72
1	5-22280-0	SPRING, SHEAR	12
1	690461-2	STOP, SHEAR	11
1	462548-1	HOLDER, SHEAR (FRONT) SPECIAL	10
1	462547-1	SHEAR, FLOAT (FRONT) SPECIAL	9
1	1-690514-5	ANVIL	8
1	462838-1	SPACER, DEPRESSOR (REAR)	7
1	2-238011-0	DEPRESSOR, SHEAR (REAR)	6
1	7-456135-7	DEPRESSOR, SHEAR (FRONT) SPECIAL	5
1	455888-4	SPACER, TUBULAR, INS CRIMPER	4
1	3-456402-5	CRIMPER, INSULATION	3
1	455888-4	SPACER, CRIMPER	2
1	456402-5	CRIMPER, WIRE	1

QTY	PART NO	DESCRIPTION	ITEM NO
REF	462484-1	WIRE STOP ASSY	60

REMARKS	NO	REV
APPL USED ON MACHINE PART NO	MACH SERIAL NO	DISTRIBUTION
CUSTOMER NAME	APPL SERIAL NO	ORIGINAL
ADDRESS	PURCHASE ORDER	CUSTOMER COPY
CITY	ENG APP	FIELD ENG COPY

CRIMP DATA	APPLICATOR WILL APPLY				
PAD LTR	CRIMP HEIGHT	WIRE SIZE	WIRE LENGTH	PIN	SOCKET
A	NOT	USED		203816	203802
B	NOT	USED			
C	.034	20			
D	.028	22-24			
CRIMP SIZE	TYPE	FEED	APPL INST		
WIRE .055	F	.300	A1		
INSUL .070	0				
WIRE RANGE 24-22	INSULATION RANGE .062 MAX	PRESS NO 463345-1			

REMARKS: WIRE SIZE #20 ONLY WHEN APPROVED BY APPL. ENG

SIM 466558

ECN R1857

AMP INCORPORATED Harrisburg, Pa.

466904-1