

THIS DRAWING IS UNPUBLISHED.

RELEASED FOR PUBLICATION

-. -. .

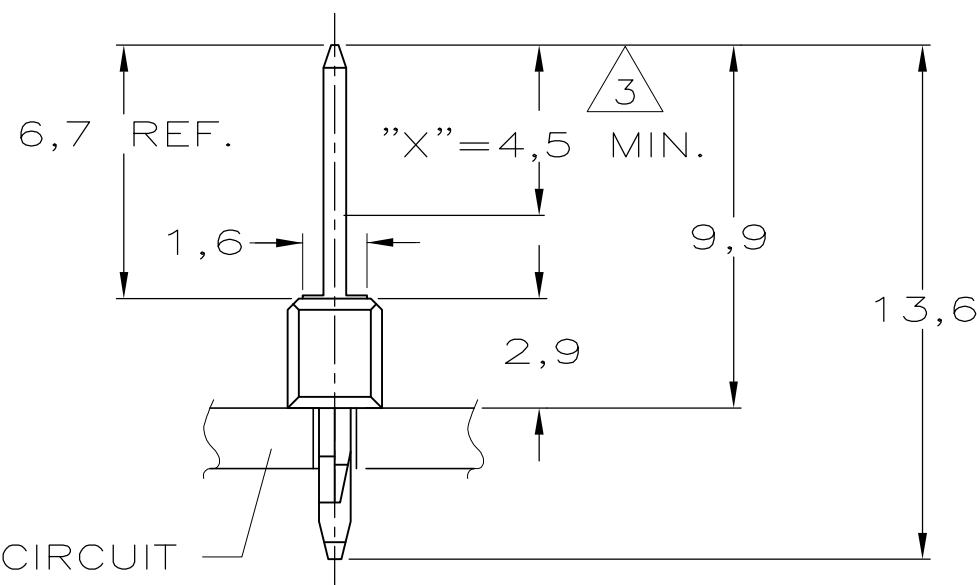
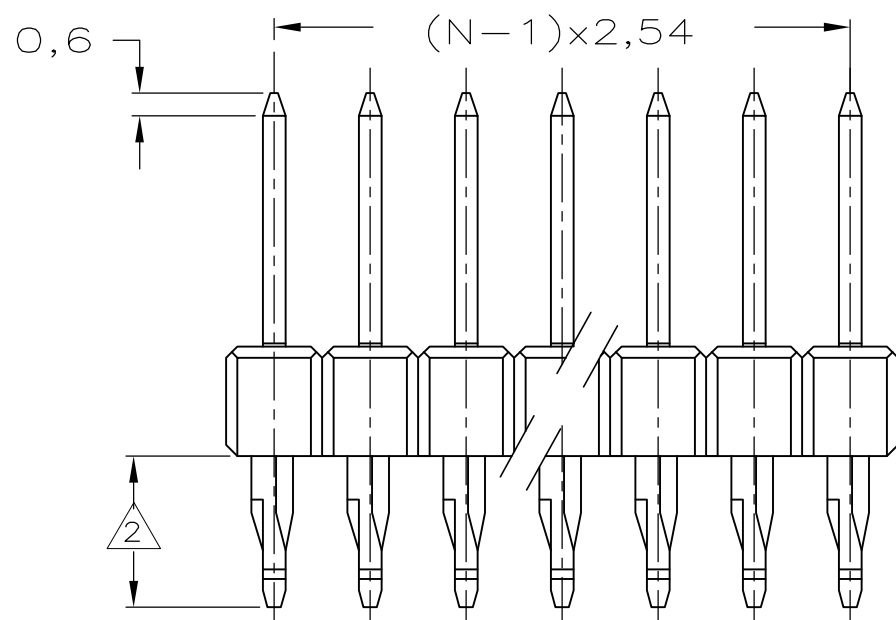
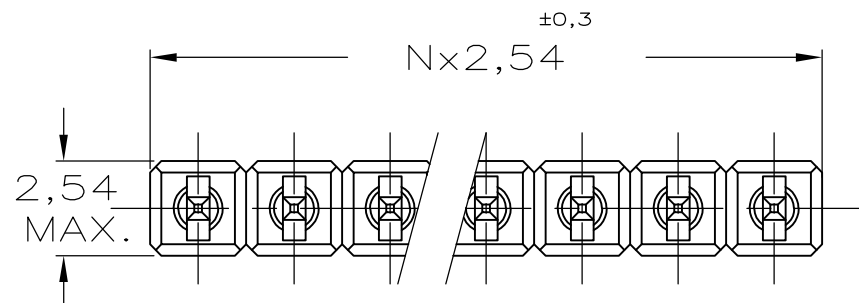
© COPYRIGHT - By -

ALL RIGHTS RESERVED.

LOC	DIST	REVISIONS					
		P	LTR	DESCRIPTION	DATE	DWN	APVD
-	-		B2	REACTIVATION OF CUSTOMER DRAWING	05JULY2013	SMT	RP

NOTES:

- 1 HOUSING-MATERIAL:20% GLASSFILLED POLYESTER (GREEN). CONTACT-MATERIAL:PHOSPHORBRONZE.
- 2 ACTION-PIN SUITABLE FOR 1,6mm P.C.-BOARD-THICKNESS.
- 3 PLATING: AREA "X" Au-PLATED 0,76µm-THICKNESS. ACTION-PIN AREA: SnPb-PLATED 1,27µm-THICKNESS. UNDERCOATING:1,27µm Ni. ALL OVER.
- 4 TO DETERMINE DIMENSIONS TAKE N = Nr.OF POS. FOR EXAMPLE: 10 POS.=N \times 2,54=25,40mm. FOR ORDERNR.:USE BASIC NR. + NR. OF POS. FOR EXAMPLE: 36 POS.= 3-215267-6-OBSOLETE/6
- 5 MAX. PERMISSIBLE BURR AFTER CHOPPING 0,2mm.
- 6 OBSOLETE PARTS: OBSOLETE CIS STREAMLINING PER D.RENAUD/D.SINISI



PRINTED CIRCUIT BOARD

P.C.B. HOLE DIM. ACTION PIN	
DRILLED HOLE	:1,15 ±0,025 mm
FIN. HOLE	:0,94 to 1,09 mm
AFTER REFLOW	:0,91 to 1,09 mm
Cu-thks	:0,025 to 0,075 mm
Sn-thks	:0,004 to 0,010 mm

THIS DRAWING IS A CONTROLLED DOCUMENT.		DWN	J.v.LIEMPT	7 MAY 97	 TE Connectivity												
DIMENSIONS: mm		CHK	R.BROENS	-													
TOLERANCES UNLESS OTHERWISE SPECIFIED: mm		APVD	E.LEIJTENS	-													
<table border="1"> <tr><td>0 PLC</td><td>± -</td></tr> <tr><td>1 PLC</td><td>± -</td></tr> <tr><td>2 PLC</td><td>± -</td></tr> <tr><td>3 PLC</td><td>± -</td></tr> <tr><td>4 PLC</td><td>± -</td></tr> <tr><td>ANGLES</td><td>± -</td></tr> </table>		0 PLC	± -	1 PLC		± -	2 PLC	± -	3 PLC	± -	4 PLC	± -	ANGLES	± -	PRODUCT SPEC	-	NAME
0 PLC	± -																
1 PLC	± -																
2 PLC	± -																
3 PLC	± -																
4 PLC	± -																
ANGLES	± -																
MATERIAL		APPLICATION SPEC	-	SIZE	A3												
SEE NOTES		FINISH	-	CAGE CODE	00779												
		WEIGHT	-	DRAWING NO	C-215267												
		CUSTOMER DRAWING		RESTRICTED TO	-												
		SCALE	5:1	SHEET	1 OF 1												
		REV	B2														